

**INSTALLER: LEAVE THIS MANUAL WITH THE APPLIANCE.
 CONSUMER: RETAIN THIS MANUAL FOR FUTURE REFERENCE.
 NEVER LEAVE CHILDREN OR OTHER AT RISK INDIVIDUALS ALONE WITH THE APPLIANCE**

EN

FR
 PG
 55



INSTALLATION AND OPERATING INSTRUCTIONS

CERTIFIED TO CANADIAN AND AMERICAN NATIONAL STANDARDS: ANSI Z21.50, CSA 2.22 FOR VENTED GAS FIREPLACES.

FOR INDOOR USE ONLY

SAFETY INFORMATION

WARNING

If the information in these instructions are not followed exactly, a fire or explosion may result causing property damage, personal injury or loss of life.

- Do not store or use gasoline or other flammable vapors and liquids in the vicinity of this or any other appliance.
- **WHAT TO DO IF YOU SMELL GAS:**
 - Do not try to light any appliance.
 - Do not touch any electrical switch; do not use any phone in your building.
 - Immediately call your gas supplier from a neighbour's phone. Follow the gas supplier's instructions.
 - If you cannot reach your gas supplier, call the fire department.
- Installation and service must be performed by a qualified installer, service agency or the supplier.

This appliance may be installed in an aftermarket, permanently located, manufactured home (USA only) or mobile home, where not prohibited by local codes.

This appliance is only for use with the type of gas indicated on the rating plate. This appliance is not convertible for use with other gases, unless a certified kit is used.

APPLY SERIAL NUMBER LABEL FROM CARTON



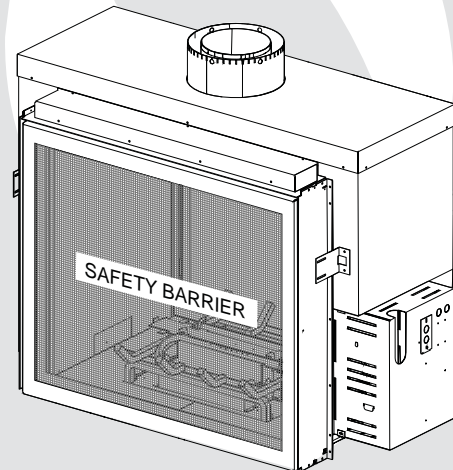
Serial No. XXXXXX000000
 MODEL NO.



BARRIER



HD81NT-1 NATURAL GAS HD81PT-1 PROPANE



DANGER

HOT GLASS WILL CAUSE BURNS.

DO NOT TOUCH GLASS UNTIL COOLED.

NEVER ALLOW CHILDREN TO TOUCH GLASS.

A barrier designed to reduce the risk of burns from the hot viewing glass is provided with this appliance and shall be installed for the protection of children and other at-risk individuals.



Wolf Steel Ltd., 24 Napoleon Rd., Barrie, ON, L4M 0G8 Canada /
 103 Miller Drive, Crittenden, Kentucky, USA, 41030

Phone (705)721-1212 • Fax (705)720-9081 • www.napoleonfireplaces.com • hearth@napoleonproducts.com

TABLE OF CONTENTS



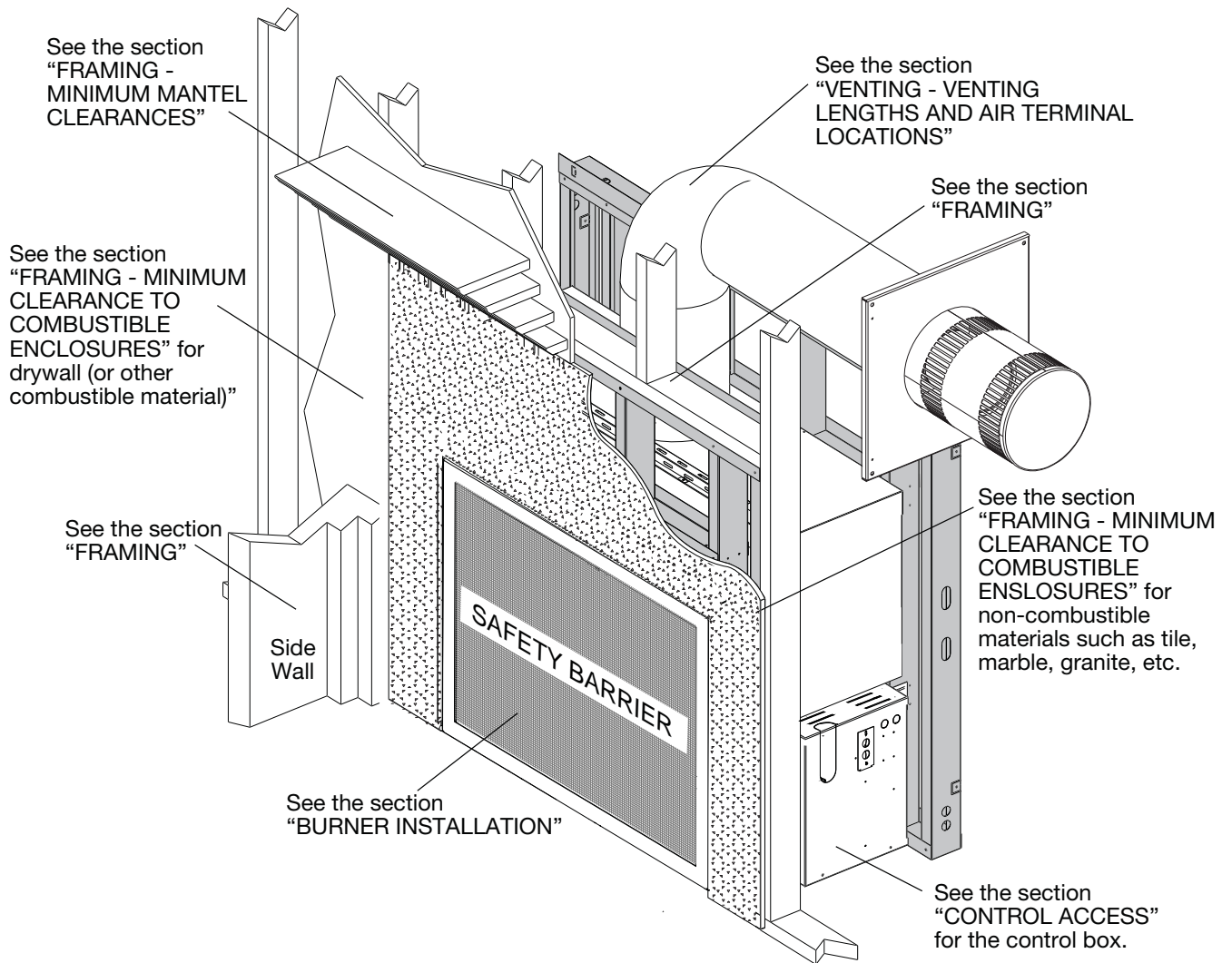
NOTE: The camera icon indicates video tutorials are available as additional reference, visit <http://mynapoleon.napoleonproducts.com/download/index/44/1>

1.0	INSTALLATION OVERVIEW	3
2.0	INTRODUCTION	4
2.1	DIMENSIONS	5
2.2	GENERAL INSTRUCTIONS	6
2.3	GENERAL INFORMATION	7
2.4	RATING PLATE INFORMATION	8
3.0	VENTING	9
3.1	VENTING LENGTHS AND COMPONENTS	9
3.2	TYPICAL VENT INSTALLATION	10
3.3	VENT TERMINAL CLEARANCES	11
3.4	VENT APPLICATION FLOW CHART	12
3.5	DEFINITIONS	12
3.6	ELBOW VENT LENGTH VALUES	12
3.7	HORIZONTAL TERMINATION	13
3.8	VERTICAL TERMINATION	15
4.0	INSTALLATION	17
4.1	WALL AND CEILING PROTECTION	17
4.1.1	HORIZONTAL INSTALLATION	18
4.1.2	VERTICAL INSTALLATION	18
4.2	USING FLEXIBLE VENT COMPONENTS	19
4.2.1	HORIZONTAL AIR TERMINAL INSTALLATION	19
4.2.2	VERTICAL AIR TERMINAL INSTALLATION	20
4.2.3	APPLIANCE VENT CONNECTION	20
4.3	MOBILE HOME INSTALLATION	21
4.4	GAS INSTALLATION	21
5.0	FRAMING	22
5.1	MINIMUM CLEARANCES TO COMBUSTIBLES	24
5.2	HEARTH EXTENSION	24
5.3	STEEL STUD FRAMING KIT	25
5.3.1	INSIDE FRAME ASSEMBLY	25
5.3.2	ATTACH SIDE STUDS (LEGS)	26
5.3.3	ATTACH THE ASSEMBLED FRAME TO THE APPLIANCE	26
5.3.4	INSTALL CONCRETE BOARD SIDE AND CENTER PANELS	27
5.3.5	STEEL FRAMING KIT SIDE TWO	27
5.4	MINIMUM CLEARANCE TO COMBUSTIBLE ENCLOSURES	28
5.5	MINIMUM MANTEL CLEARANCES	30
6.0	FINISHING	31
6.1	SAFETY SCREEN REMOVAL / INSTALLATION	31
6.2	DOOR REMOVAL / INSTALLATION	32
6.3	BURNER INSTALLATION	32
6.4	NON-COMBUSTIBLE FACING MATERIAL	33
7.0	ELECTRICAL INFORMATION	34
7.1	HARD WIRING CONNECTION	34
7.2	OPTIONAL BLOWER INSTALLATION	34
7.3	WIRING DIAGRAM	35
7.4	RECEPTACLE WIRING DIAGRAM	36
7.5	REMOTE RECEIVER INSTALLATION	36
8.0	OPERATION	37
8.1	GENERAL TRANSMITTER LAYOUT	37
8.2	INITIALIZING THE TRANSMITTER/BATTERY HOLDER FOR THE FIRST TIME	37
8.3	TEMPERATURE DISPLAY	38
8.4	FLAME HEIGHT	38
8.5	NIGHT LIGHT DIMMER CONTROL	38
8.6	FAN SPEED	38
8.7	CONTINUOUS PILOT / INTERMITTENT PILOT (CPI / IPI) SELECTION	39
8.8	CHILD PROOF FUNCTION / KEY LOCK	39
8.9	LOW BATTERY / MANUAL BYPASS	39
8.10	SPLIT FLOW	39
9.0	OPERATING INSTRUCTIONS	40
10.0	ADJUSTMENT	41
10.1	PILOT BURNER ADJUSTMENT	41
10.2	FLAME CHARACTERISTICS	41
10.3	RESTRICTING VERTICAL VENTS	41
11.0	MAINTENANCE	42
11.1	ANNUAL MAINTENANCE	43
11.2	CONTROL ACCESS	44
11.2.1	INNER ACCESS PANEL	44
11.3	VALVE REMOVAL	44
11.4	NIGHT LIGHT™	45
11.5	GLASS / DOOR REPLACEMENT	45
11.6	CARE OF GLASS	46
11.7	CARE OF PLATED PARTS	46

12.0	REPLACEMENTS	46
13.0	HD81-1 OVERVIEW	47
14.0	ACCESSORIES	48
15.0	TROUBLESHOOTING	49
16.0	WARRANTY	52
17.0	SERVICE HISTORY	53

NOTE: Changes, other than editorial, are denoted by a vertical line in the margin.

1.0 INSTALLATION OVERVIEW



⚠ WARNING: This product can expose you to chemicals including lead and lead compounds, which are known to the State of California to cause cancer, and chemicals including carbon monoxide, which are known to the State of California to cause birth defects or other reproductive harm. For more information, go to www.P65Warnings.ca.gov.



Batteries must be disposed of according to the local laws and regulations. Some batteries may be recycled, and may be accepted for disposal at your local recycling center. Check with your municipality for recycling instructions.

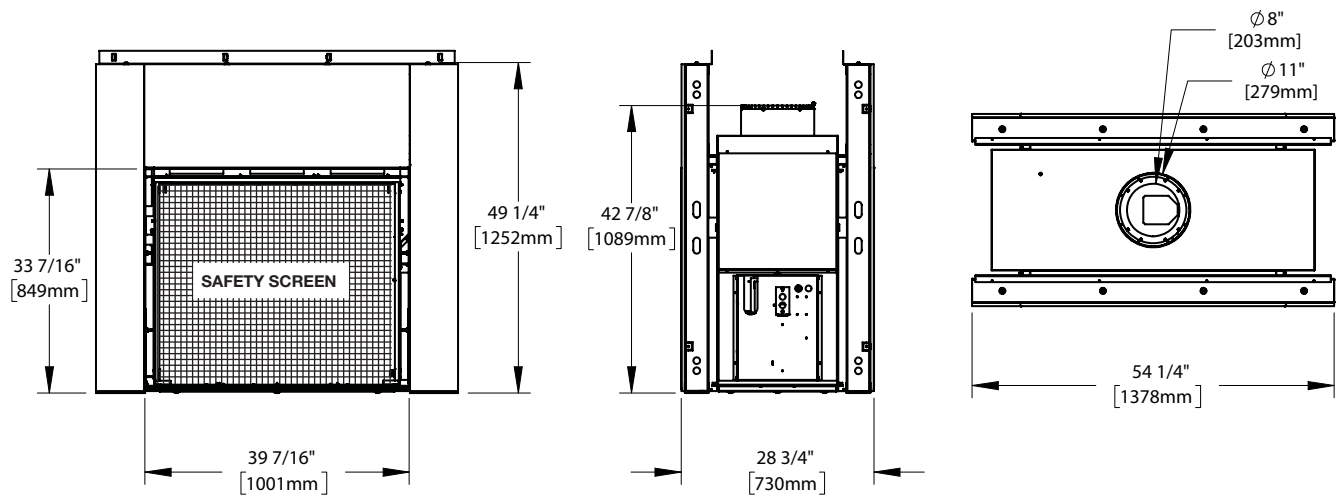
2.0 INTRODUCTION

WARNING

- **THIS APPLIANCE IS HOT WHEN OPERATED AND CAN CAUSE SEVERE BURNS IF CONTACTED.**
- **ANY CHANGES OR ALTERATIONS TO THIS APPLIANCE OR ITS CONTROLS CAN BE DANGEROUS AND IS PROHIBITED.**
- Do not operate appliance before reading and understanding operating instructions. Failure to operate appliance according to operating instructions could cause fire or injury.
- Risk of fire or asphyxiation do not operate appliance with fixed glass removed.
- Do not connect 110 volts to the control valve.
- Risk of burns. The appliance should be turned off and cooled before servicing.
- Do not install damaged, incomplete or substitute components.
- Risk of cuts and abrasions. Wear protective gloves and safety glasses during installation. Sheet metal edges may be sharp.
- Do not burn wood or other materials in this appliance.
- **Children and adults should be alerted to the hazards of high surface temperature and should stay away to avoid burns or clothing ignition.**
- **Young children should be carefully supervised when they are in the same room as the appliance. Toddlers, young children and others may be susceptible to accidental contact burns. A physical barrier is recommended if there are at risk individuals in the house. To restrict access to an appliance, install an adjustable safety gate to keep toddlers, young children and other at risk individuals out of the room and away from hot surfaces.**
- **Clothing or other flammable material should not be placed on or near the appliance.**
- **Due to high temperatures, the appliance should be located out of traffic and away from furniture and draperies.**
- Ensure you have incorporated adequate safety measure to protect infants/toddlers from touching hot surfaces.
- Even after the appliance is out, the glass and/or screen will remain hot for an extended period of time.
- Check with your local hearth specialty dealer for safety screens and hearth guards to protect children from hot surfaces. These screens and guards must be fastened to the floor.
- **Any safety screen, guard or barrier removed for servicing the appliance, must be replaced prior to operating the appliance.**
- The appliance is a vented gas-fired appliance. Do not burn wood or other materials in the appliance
- It is imperative that the control compartments, burners and circulating blower and its passageway in the appliance and venting system are kept clean. The appliance and its venting system should be inspected before use and at least annually by a qualified service person. More frequent cleaning may be required due to excessive lint from carpeting, bedding material, etc. The appliance area must be kept clear and free from combustible materials, gasoline and other flammable vapors and liquids.
- Under no circumstances should this appliance be modified.
- This appliance must not be connected to a chimney flue pipe serving a separate solid fuel burning appliance.
- Do not use this appliance if any part has been under water. Immediately call a qualified service technician to inspect the appliance and to replace any part of the control system and any gas control which has been under water.
- Do not operate the appliance with the glass door removed, cracked or broken. Replacement of the glass should be done by a licensed or qualified service person.
- Do not strike or slam shut the appliance glass door.
- When equipped with pressure relief doors, they must be kept closed while the appliance is operating to prevent exhaust fumes containing carbon monoxide, from entering into the home. Temperatures of the exhaust escaping through these openings can also cause the surrounding combustible materials to overheat and catch fire.
- **Only doors / optional fronts certified with the appliance are to be installed on the appliance.**
- Keep the packaging material out of reach of children and dispose of the material in a safe manner. As with all plastic bags, these are not toys and should be kept away from children and infants.
- As with any combustion appliance, we recommend having your appliance regularly inspected and serviced as well as having a Carbon Monoxide Detector installed in the same area to defend you and your family against Carbon Monoxide.
- Ensure clearances to combustibles are maintained when building a mantel or shelves above the appliance. Elevated temperatures on the wall or in the air above the appliance can cause melting, discolouration or damage of decorations, a T.V. or other electronic components.
- **A barrier designed to reduce the risk of burns from the hot viewing glass is provided with this appliance and shall be installed.**
- **If the barrier becomes damaged, the barrier shall be replaced with the manufacturer's barrier for this appliance.**
- **Installation and repair should be done by a qualified service person. The appliance should be inspected before use and at least annually by a professional service person. More frequent cleaning may be required due to excessive lint from carpeting, bedding material, etc. It is imperative that control compartments, burners and circulating air passageways of the appliance be kept clean.**

3.2C

2.1 DIMENSIONS



GENERAL INSTRUCTIONS

! WARNING
ALWAYS LIGHT THE PILOT WHETHER FOR THE FIRST TIME OR IF THE GAS SUPPLY HAS RUN OUT, WITH THE GLASS DOOR OPENED OR REMOVED.
PROVIDE ADEQUATE CLEARANCE FOR SERVICING AND OPERATING THE APPLIANCE.
PROVIDE ADEQUATE VENTILATION.
NEVER OBSTRUCT THE FRONT OPENING OF THE APPLIANCE.
OBJECTS PLACED IN FRONT OF THE APPLIANCE MUST BE KEPT A MINIMUM OF 48 INCHES (121.9cm) FROM THE FRONT FACE OF THE APPLIANCE.
SURFACES AROUND AND ESPECIALLY ABOVE THE APPLIANCE CAN BECOME HOT. AVOID CONTACT WHEN THE APPLIANCE IS OPERATING.
FIRE RISK. EXPLOSION HAZARD.
HIGH PRESSURE WILL DAMAGE VALVE. DISCONNECT GAS SUPPLY PIPING BEFORE PRESSURE TESTING GAS LINE AT TEST PRESSURES ABOVE 1/2 PSIG. CLOSE THE MANUAL SHUT-OFF VALVE BEFORE PRESSURE TESTING GAS LINE AT TEST PRESSURES EQUAL TO OR LESS THAN 1/2 PSIG (35mb).
USE ONLY WOLF STEEL APPROVED OPTIONAL ACCESSORIES AND REPLACEMENT PARTS WITH THIS APPLIANCE. USING NON-LISTED ACCESSORIES (BLOWERS, DOORS, LOUVRES, TRIMS, GAS COMPONENTS, VENTING COMPONENTS, ETC.) COULD RESULT IN A SAFETY HAZARD AND WILL VOID THE WARRANTY AND CERTIFICATION.
THE APPLIANCE MUST NOT BE OPERATED AT TEMPERATURES BELOW FREEZING (32°F / 0°C). ALLOW THE APPLIANCE TO WARM TO ABOVE FREEZING PRIOR TO OPERATION.

THIS GAS APPLIANCE SHOULD BE INSTALLED AND SERVICED BY A QUALIFIED INSTALLER to conform with local codes. Installation practices vary from region to region and it is important to know the specifics that apply to your area, for example in Massachusetts State:

- This product must be installed by a licensed plumber or gas fitter when installed within the commonwealth of Massachusetts.
- The appliance damper must be removed or welded in the open position prior to installation of an appliance insert or gas log.
- The appliance off valve must be a “T” handle gas cock.
- The flexible connector must not be longer than 3 feet (0.9m).
- A Carbon Monoxide detector is required in all rooms containing gas fired appliances.
- The appliance is not approved for installation in a bedroom or bathroom unless the unit is a direct vent sealed combustion product.

The installation must conform with local codes or, in absence of local codes, the National Gas and Propane Installation Code CSA B149.1 in Canada, or the National Fuel Gas Code, ANSI Z223.1 / NFPA 54 in the United States. Suitable for mobile home installation if installed in accordance with the current standard CAN/CSA Z240MH Series, for gas equipped mobile homes, in Canada or ANSI Z223.1 and NFPA 54 in the United States.

**NATIONAL
FIREPLACE
INSTITUTE**



CERTIFIED

www.nficertified.org

We suggest that our gas hearth products be installed and serviced by professionals who are certified in the U.S. by the National Fireplace Institute® (NFI) as NFI Gas Specialists

As long as the required clearance to combustibles is maintained, the most desirable and beneficial location for an appliance is in the center of a building, thereby allowing the most efficient use of the heat created. The location of windows, doors and the traffic flow in the room where the appliance is to be located should be considered. If possible, you should choose a location where the vent will pass through the house without cutting a floor or roof joist.

If the appliance is installed directly on carpeting, vinyl tile or other combustible material other than wood flooring, the appliance shall be installed on a metal or wood panel extending the full width and depth.

Some appliances have optional fans or blowers. If an optional fan or blower is installed, the junction box must be electrically connected and grounded in accordance with local codes, use the current CSA C22.1 Canadian Electrical Code in Canada or the ANSI/NFPA 70 National Electrical code in the United States.

4.1C

The optional heat circulating blower is supplied with a cord.

This appliance is equipped with a power back up control system. Therefore four 1.5 volt “AA” batteries are required for the battery holder. Use alkaline batteries only. See “IN THE EVENT OF A POWER FAILURE” section.

2.3 GENERAL INFORMATION

FOR YOUR SATISFACTION, THIS APPLIANCE HAS BEEN TEST-FIRED TO ASSURE ITS OPERATION AND QUALITY!

HD81-1		
	NG	P
Altitude (FT)	0-4,500	0-4500
Max. Input (BTU/HR)	60,000	50,000
Max. Output Steady State (BTU/HR)	38,753	33,677
Efficiency (w/the fan on)	64%	68%
Min. Inlet Gas Supply Pressure	4.5" w.c. (11mb)	11" w.c. (27mb)
Max. Inlet Gas Supply Pressure	13" w.c. (32mb)	13" w.c. (32mb)
Manifold Pressure (Under Flow Conditions)	3.5" w.c. (9mb)	10" w.c. (25mb)

This appliance is approved for bathroom, bedroom and bed-sitting room installations and is certified for mobile home installation.

This appliance is only for use with the type of gas indicated on the rating plate. This appliance is not convertible for use with other gases, unless a certified kit is used.

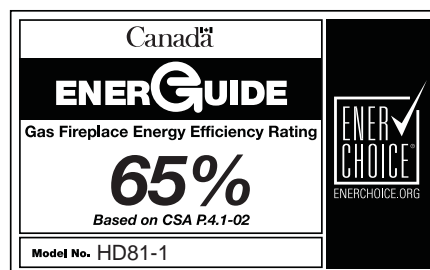
When the appliance is installed at elevations above 4,500ft (1371m), and in the absence of specific recommendations from the local authority having jurisdiction, the certified high altitude input rating shall be reduced at the rate of 4% for each additional 1,000ft (305m).

The switch on the battery holder must be placed in the middle position. If this switch is not in this position the appliance will not operate using the remote, see "REMOTE RECEIVER INSTALLATION" and "CONTROL MODULE REMOVAL" section.

Expansion / contraction noises during heating up and cooling down cycles are normal and are to be expected. Change in flame appearance from "HI" to "LO" is more evident in natural gas than in propane.

NOTE: The protective wrap on plated parts is best removed when the assembly is at room temperature but this can be improved if the assembly is warmed, using a hair dryer or similar heat source.

This appliance is equipped with a remote control system, which requires batteries (supplied) to be installed. The transmitter takes 3 "AAA" batteries and in the case of a power failure the battery back-up takes four "AA" batteries.



3.0 VENTING

WARNING

RISK OF FIRE, MAINTAIN SPECIFIED AIR SPACE CLEARANCES TO VENT PIPE AND APPLIANCE.

IF VENTING IS INCLUDED WITH SPACERS THE VENT SYSTEM MUST BE SUPPORTED EVERY 3FT (0.9m) FOR BOTH VERTICAL AND HORIZONTAL RUNS. USE SUPPORTS OR EQUIVALENT NON-COMBUSTIBLE STRAPPING TO MAINTAIN THE REQUIRED CLEARANCE FROM COMBUSTIBLES. USE WOLF STEEL LTD. SUPPORT RING ASSEMBLY W010-0370 OR EQUIVALENT NON-COMBUSTIBLE STRAPPING TO MAINTAIN THE MINIMUM CLEARANCE TO COMBUSTIBLES FOR BOTH VERTICAL AND HORIZONTAL RUNS. SPACERS ARE ATTACHED TO THE INNER PIPE AT PREDETERMINED INTERVALS TO MAINTAIN AN EVEN AIR GAP TO THE OUTER PIPE. THIS GAP IS REQUIRED FOR SAFE OPERATION. A SPACER IS REQUIRED AT THE START, MIDDLE AND END OF EACH ELBOW TO ENSURE THIS GAP IS MAINTAINED. THESE SPACERS MUST NOT BE REMOVED.

**This appliance uses 8" (203.2mm) exhaust / 11" (279mm) air intake vent pipe system.
Refer to the section applicable to your installation.**

For safe and proper operation of the fireplace follow the venting instruction exactly. Deviation from the minimum vertical vent length can create difficulty in burner start-up and/or carboning. Under extreme vent configurations, allow several minutes (5-15) for the flame to stabilize after ignition. Provide a means for visually checking the vent connection to the fireplace after the fireplace is installed. Use a firestop, vent pipe shield or attic insulation shield when penetrating interior walls, floor or ceiling.

NOTE: If for any reason the vent air intake system is disassembled; reinstall per the instructions provided for the initial installation.

3.1 VENTING LENGTHS AND COMPONENTS

For vent systems that provide seals on the inner exhaust flue, only the outer air intake joints must be sealed using a red high temperature silicone (RTV). This same sealant may be used on both the inner exhaust and outer intake vent pipe joints of all other approved vent systems except for the exhaust vent pipe connection to the appliance flue collar which must be sealed using the black high temperature sealant Mill Pac.

When using Wolf Steel venting components, use only approved Wolf Steel flexible components with the following termination kits: wall terminal kit **GD822R**, or 1/12 to 7/12 pitch roof terminal kit **GD810**, 8/12 to 12/12 roof terminal kit **GD811** or flat roof terminal kit **GD812**. With flexible venting, in conjunction with the various terminations, use either the 5 foot (1.5m) vent kit **GD820** or the 10 foot (3m) vent kit **GD830**.

For optimum flame appearance and appliance performance, keep the vent length and number of elbows to a minimum.

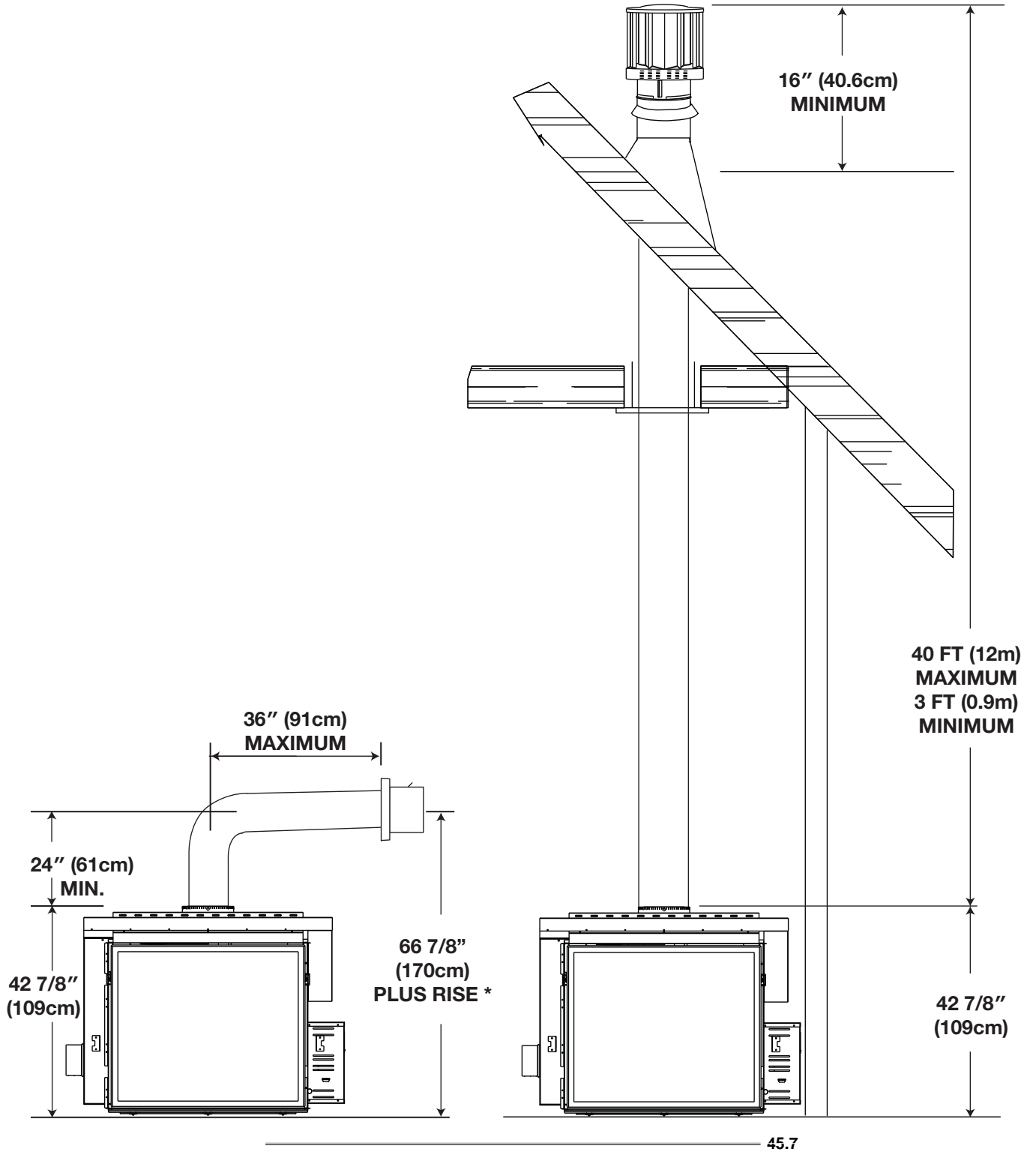
The air terminal must remain unobstructed at all times. Examine the air terminal at least once a year to verify that it is unobstructed and undamaged.

The minimum allowable vertical vent length is 3 feet (0.9m) maximum allowable vertical vent length is 40 feet (12m). The maximum number of allowable 8" (203mm) vent connections is three horizontally or vertically (excluding the appliance and the air terminal connections).

When venting, the horizontal run must be kept to a minimum of 3 feet (0.9m) or a maximum of 20 feet (6m). If a 20 foot (6m) horizontal run is required, the appliance must have a minimum vertical rise immediately off the appliance of 4.8 feet (1.5m). When terminating vertically, the vertical rise is a minimum 3 feet (0.9m) and a maximum 40 feet (12m) above the appliance.

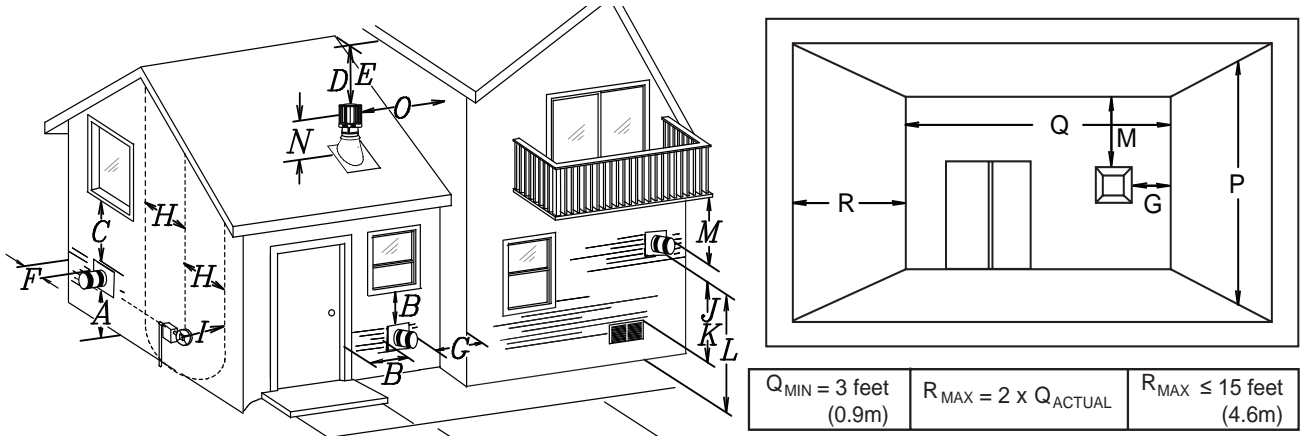
For optimum performance, it is recommended that all horizontal runs have a minimum 1/4" (6mm) rise per foot/meter. Provide a means for visually checking the vent connection to the appliance after the appliance is installed. Do not allow the inside liner to bunch up on horizontal or vertical runs and elbows. Keep it pulled tight. A 1 1/2" (38.1mm) air gap between the inner and outer liner all around is required for safe operation. Use a firestop when penetrating interior walls, floor or ceiling.

3.2 TYPICAL VENT INSTALLATION



Refer to "VENTING" section.

3.3 VENT TERMINAL CLEARANCES



INSTALLATIONS			
	CANADA	U.S.A.	
A	12" (30.5cm)	12" (30.5cm)	Clearance above grade, veranda porch, deck or balcony.
B	12" (30.5cm) ^Δ	9" (228.6mm) ^Δ	Clearance to windows or doors that open.
C	12" (30.5cm)*	12" (30.5cm)*	Clearance to permanently closed windows.
D	18" (45.7cm)**	18" (45.7cm)**	Vertical clearance to ventilated soffits located above the terminal within a horizontal distance of 2' (0.6m) from the centerline of the terminal.
E	12" (30.5cm)**	12" (30.5cm)**	Clearance to unventilated soffit.
F	0" (0mm)	0" (0mm)	Clearance to an outside corner wall.
G	0" (0mm)***	0" (0mm)***	Clearance to an inside non-combustible corner wall or protruding non-combustible obstructions (chimney, etc.).
	2" (50.8mm)***	2" (50.8mm)***	Clearance to an inside combustible corner wall or protruding combustible obstructions (vent chase, etc.).
H	3' (0.9m)	3' (0.9m)****	Clearance to each side of the centerline extended above the meter / regulator assembly to a maximum vertical distance of 15' (4.6m).
I	3' (0.9m)	3' (0.9m)****	Clearance to a service regulator vent outlet.
J	12" (30.5cm)	9" (228.6mm)	Clearance to a non-mechanical air supply inlet to the building or a combustion air inlet to any other appliance.
K	6' (1.8m)	3' (0.9m)	Clearance to a mechanical air supply inlet.
L	7' (2.1m)‡	7' (2.1m)****	Clearance above a paved sidewalk or paved driveway located on public property.
M	12" (30.5cm)††	12" (30.5cm)****	Clearance under a veranda, porch, deck or balcony.
N	16" (40.6cm)	16" (40.6cm)	Clearance above the roof.
O	2' (0.61m)†*	2' (0.61m)†*	Clearance from an adjacent wall including neighbouring buildings.
P	8' (2.4m)	8' (2.4m)	Roof must be non-combustible without openings.
Q	3' (0.9m)	3' (0.9m)	See chart for wider wall dimensions.
R	6' (1.8m)	6' (1.8m)	See chart for deeper wall dimensions. The terminal shall not be installed on any wall that has an opening between the terminal and the open side of the structure.

Δ The terminal shall not be located less than 6 feet (1.8m) under a window that opens on a horizontal plane in a structure with three walls and a roof.

* Recommended to prevent condensation on windows and thermal breakage

** It is recommended to maximize the distance to vinyl clad soffits.

*** The periscope requires a minimum 18" (45,7cm) clearance from an inside corner.

**** This is a recommended distance. For additional requirements check local codes.

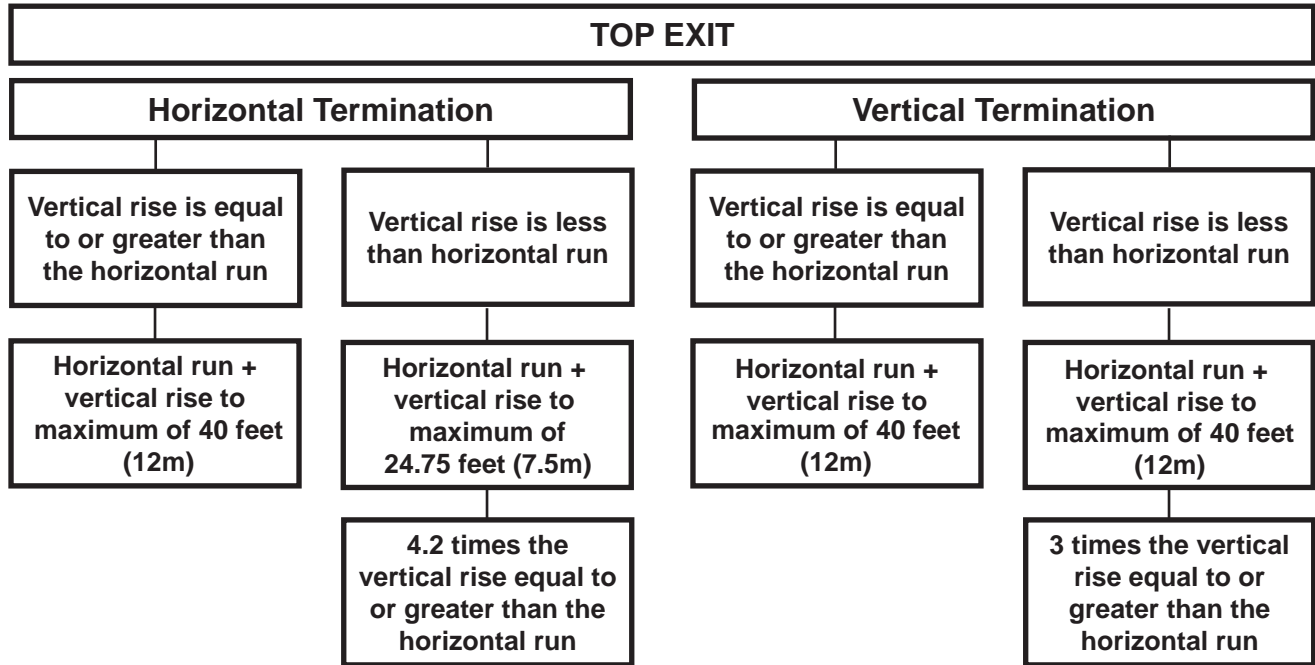
† 3 feet (0.91m) above if within 10 feet (3.1m) horizontally.

‡ A vent shall not terminate where it may cause hazardous frost or ice accumulations on adjacent property surfaces.

†† Permitted only if the veranda, porch, or deck is fully open on a minimum of two sides beneath the floor.

†* Recommended to prevent recirculation of exhaust products. For additional requirements check local codes.

3.4 VENT APPLICATION FLOW CHART



13.1A

3.5 DEFINITIONS

For the following symbols used in the venting calculations and examples are:

- > - greater than
- ≥ - equal to or greater than
- < - less than
- ≤ - equal to or less than

H_T - total of both horizontal vent lengths (H_r) and offsets (H_o) in feet

H_R - combined horizontal vent lengths in feet

H_O - offset factor: .03 (total degrees of offset - 90°*) in feet

V_T - combined vertical vent lengths in feet

14.1

3.6 ELBOW VENT LENGTH VALUES

	FEET	INCHES	MILLIMETERS
1°	0.03	0.5	12.7
15°	0.45	6.0	152.4
30°	0.9	11.0	279.4
45°	1.35	16.0	406.4
90°*	2.7	32.0	812.8

* The first 90° offset has a zero value and is shown in the formula as - 90°

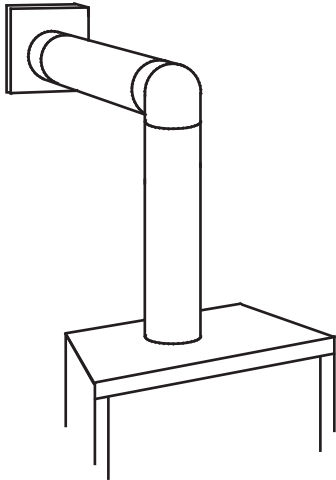
15.1A

3.7 HORIZONTAL TERMINATION

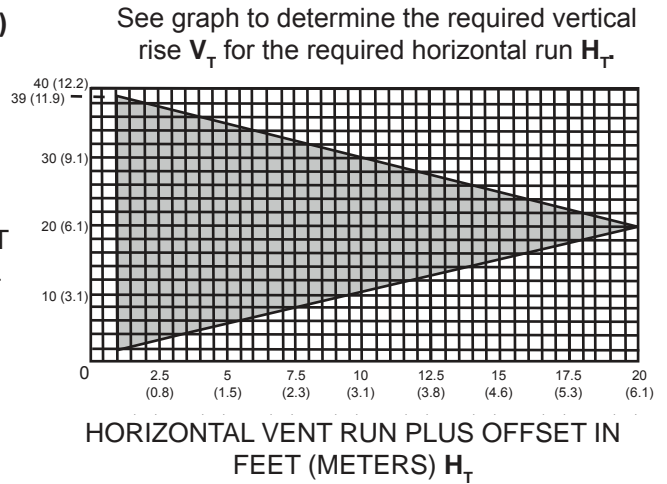
EN

$$(H_T) \leq (V_T)$$

Simple venting configuration (only one 90° elbow)



REQUIRED VERTICAL RISE IN FEET (METERS) V_T



The shaded area within the lines represents acceptable values for H_T and V_T

For vent configurations requiring more than one 90° elbow, the following formulas apply:

Formula 1: $H_T \leq V_T$

Formula 2: $H_T + V_T \leq 40$ feet (12.2m)

Example:

$V_1 = 3$ FT (0.9m)

$V_2 = 8$ FT (2.4m)

$V_T = V_1 + V_2 = 3$ FT (0.9m) + 8 FT (2.4m) = 11 FT (3.4m)

$H_1 = 2.5$ FT (0.8m)

$H_2 = 2$ FT (0.6m)

$H_R = H_1 + H_2 = 2.5$ FT (0.8m) + 2 FT (0.6m) = 4.5 FT (1.4m)

$H_O = .03$ (three 90° elbows - 90°) = .03 (270° - 90°) = 5.4 FT (1.7m)

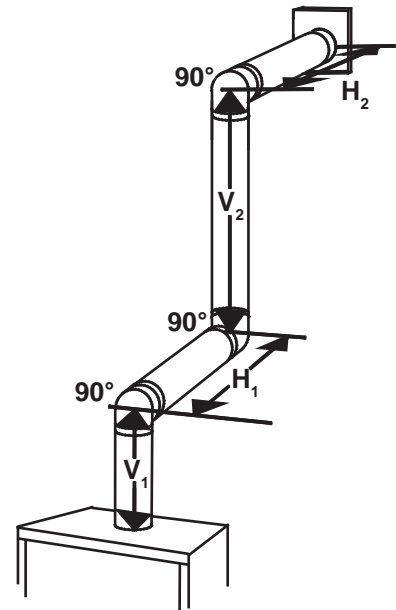
$H_T = H_R + H_O = 4.5$ FT (1.4m) + 5.4 FT (1.6m) = 9.9 FT (3m)

$H_T + V_T = 9.9$ FT (3m) + 11 FT (3.4m) = 20.9 FT (6.4m)

Formula 1: $H_T \leq V_T$
 9.9 FT (3m) \leq 11 FT (3.4m)

Formula 2: $H_T + V_T \leq 40$ FT (12.2m)
 20.9 FT (6.4m) \leq 40 FT (12.2m)

Since both formulas are met, this vent configuration is acceptable.

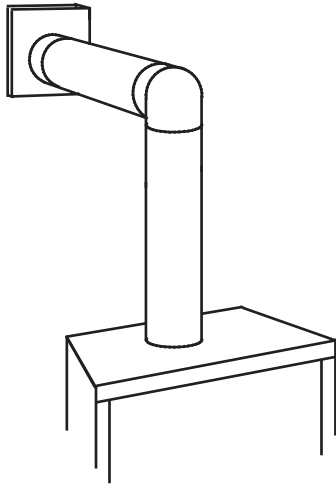


16.1B

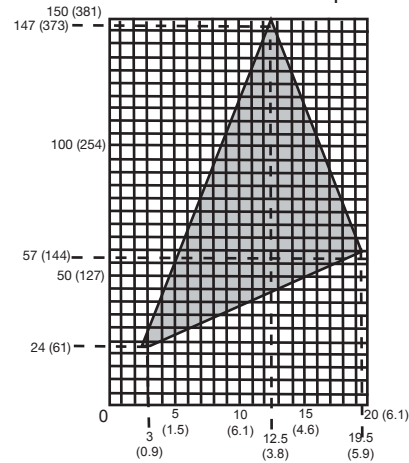
$$(H_T) > (V_T)$$

Simple venting configuration (only one 90° elbow)

See graph to determine the required vertical rise V_T for the required horizontal run H_T .



REQUIRED VERTICAL RISE IN INCHES (CENTIMETERS) V_T



HORIZONTAL VENT RUN PLUS OFFSET IN FEET (METERS) H_T
The shaded area within the lines represents acceptable values for H_T and V_T

For vent configurations requiring more than one 90° elbow, the following formulas apply:

Formula 1: $H_T \leq 4.2 V_T$

Formula 2: $H_T + V_T \leq 24.75$ feet (7.5 meters)

Example 2:

$V_1 = V_T = 6$ FT (1.8m)

$H_1 = 3$ FT (0.9m)

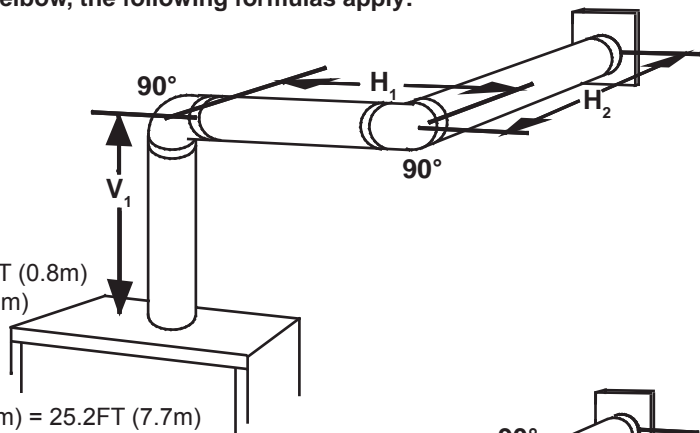
$H_2 = 5$ FT (1.5m)

$H_R = H_1 + H_2 = 3$ FT (0.9m) + 5 FT (1.5m) = 8 FT (2.4m)

$H_O = .03$ (two 90° elbows - 90°) = .03 (180° - 90°) = 2.7 FT (0.8m)

$H_T = H_R + H_O = 8$ FT (2.4m) + 2.7 FT (0.8m) = 10.7 FT (3.3m)

$H_T + V_T = 10.7$ FT (3.3m) + 6 FT (1.8m) = 16.7 FT (5.1m)



Formula 1: $H_T \leq 4.2 V_T$

$4.2 V_T = 4.2$ FT (1.3m) x 6 FT (1.8m) = 25.2 FT (7.7m)

10.7 FT (3.3m) \leq 25.2 FT (7.7m)

Formula 2: $H_T + V_T \leq 24.75$ FT (7.5m)

16.7 FT (5.1m) \leq 24.75 FT (7.5m)

Since both formulas are met, this vent configuration is acceptable.

Example 3:

$V_1 = 4$ FT (1.2m)

$V_2 = 1.5$ FT (0.5m)

$V_T = V_1 + V_2 = 4$ FT (1.2m) + 1.5 FT (0.5m) = 5.5 FT (1.7m)

$H_1 = 2$ FT (0.6m)

$H_2 = 1$ FT (0.3m)

$H_3 = 1$ FT (0.3m)

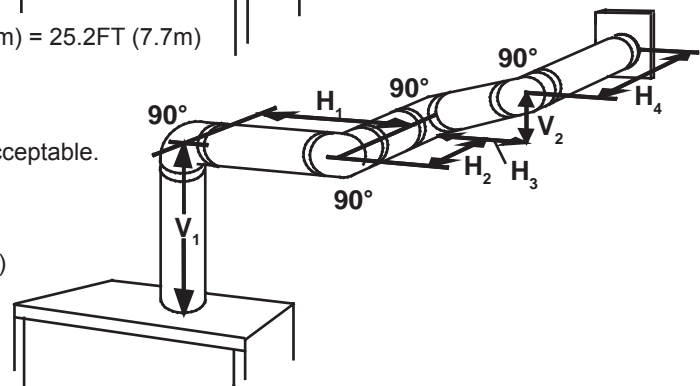
$H_4 = 1.5$ FT (0.5m)

$H_R = H_1 + H_2 + H_3 + H_4 = 2$ FT (0.6m) + 1 FT (0.3m) + 1 FT (0.3m) + 1.5 FT (0.5m) = 5.5 FT (1.7m)

$H_O = .03$ (four 90° elbows - 90°) = .03 (360° - 90°) = 8.1 FT (2.5m)

$H_T = H_R + H_O = 5.5$ FT (1.7m) + 8.1 FT (2.5m) = 13.6 FT (4.2m)

$H_T + V_T = 13.6$ FT (4.2m) + 5.5 FT (1.7m) = 19.1 FT (5.8m)



Formula 1: $H_T \leq 4.2 V_T$

$4.2 V_T = 4.2$ FT (1.3m) x 5.5 FT (1.7m) = 23.1 FT (7m)

13.6 FT (4.2m) \leq 23.1 FT (7m)

Formula 2: $H_T + V_T \leq 24.75$ FT (7.5m)

19.1 FT (5.8m) \leq 24.75 FT (7.5m)

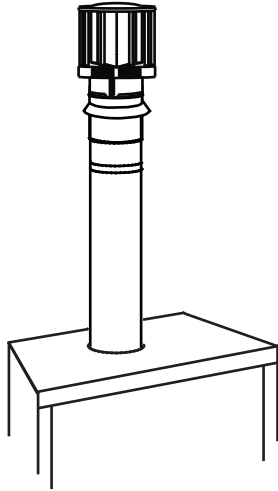
Since both formulas are met, this vent configuration is acceptable.

3.8 VERTICAL TERMINATION

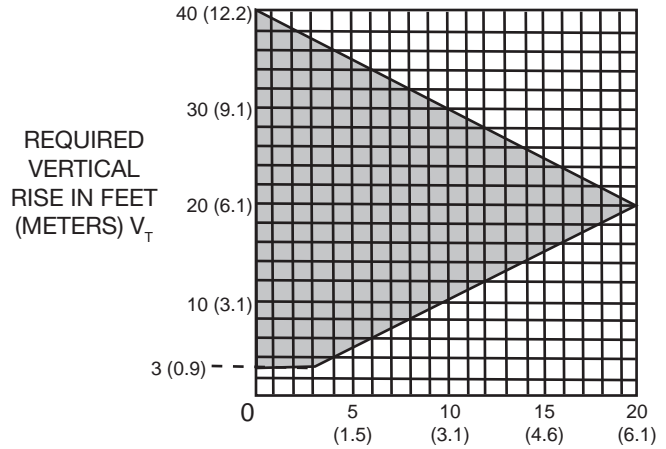
EN

$(H_T) \leq (V_T)$

Simple venting configurations.



See graph to determine the required vertical rise V_T for the required horizontal run H_T .



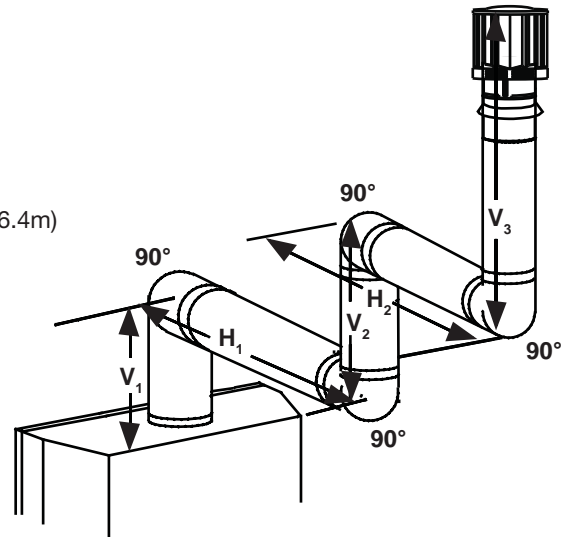
HORIZONTAL VENT RUN PLUS OFFSET IN FEET (METERS) H_T
The shaded area within the lines represents acceptable values for H_T and V_T

For vent configurations requiring one or more 90° elbows the following formulas apply:

- Formula 1: $H_T \leq V_T$
- Formula 2: $H_T + V_T \leq 40$ feet (12.2m)

Example:

- $V_1 = 5$ FT (1.5m)
- $V_2 = 6$ FT (1.8m)
- $V_3 = 10$ FT (3.1m)
- $V_T = V_1 + V_2 + V_3 = 5\text{FT (1.5m)} + 6\text{FT (1.8m)} + 10\text{FT (3.1m)} = 21\text{FT (6.4m)}$
- $H_1 = 8$ FT (2.4m)
- $H_2 = 2.5$ FT (0.8m)
- $H_R = H_1 + H_2 = 8\text{FT (2.4m)} + 2.5\text{FT (0.8m)} = 10.5$ FT (3.2m)
- $H_O = .03$ (four 90° elbows - 90°)
- $= .03 (360^\circ - 90^\circ) = 8.1$ FT (2.5m)
- $H_T = H_R + H_O = 10.5\text{FT (3.2m)} + 8.1\text{FT (2.5m)} = 18.6\text{FT (5.7m)}$
- $H_T + V_T = 18.6\text{FT (5.7m)} + 21\text{FT (6.4m)} = 39.6\text{FT (12.1m)}$



- Formula 1: $H_T \leq V_T$
 $18.6\text{FT (5.7m)} \leq 21\text{FT (6.4m)}$
- Formula 2: $H_T + V_T \leq 40$ FT (12.19m)
 $39.6\text{FT (12.1m)} \leq 40\text{FT (12.2m)}$

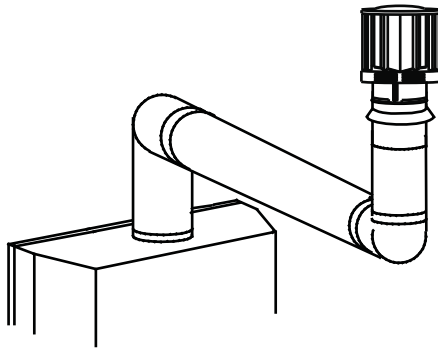
Since both formulas are met, this vent configuration is acceptable.

18.1A

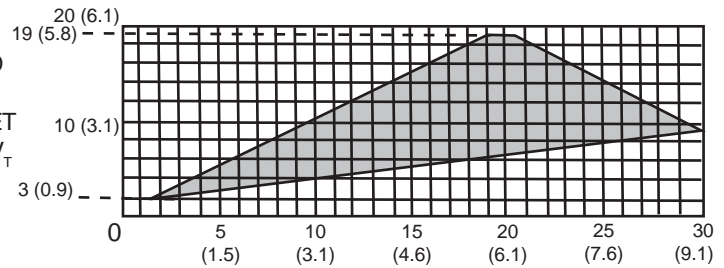
$$(H_T) > (V_T)$$

Simple venting configurations.

See graph to determine the required vertical rise V_T for the required horizontal run H_T .



REQUIRED
VERTICAL
RISE IN FEET
(METERS) V_T



HORIZONTAL VENT RUN PLUS OFFSET IN FEET (METERS) H_T

The shaded area within the lines represents acceptable values for H_T and V_T .

For vent configurations requiring more than two 90° elbows the following formulas apply:

Formula 1: $H_T \leq 3V_T$

Formula 2: $H_T + V_T \leq 40$ feet (12.2m)

Example:

$$V_1 = 2 \text{ FT (0.6m)}$$

$$V_2 = 1 \text{ FT (0.3m)}$$

$$V_3 = 1.5 \text{ FT (0.5m)}$$

$$V_T = V_1 + V_2 + V_3 = 2\text{FT (0.6m)} + 1\text{FT (0.3m)} + 1.5\text{FT (0.5m)} = 4.5\text{FT (1.4m)}$$

$$H_1 = 6 \text{ FT (1.8m)}$$

$$H_2 = 2 \text{ FT (0.6m)}$$

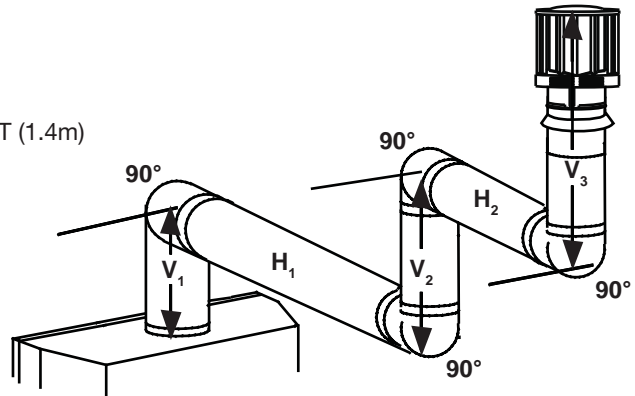
$$H_R = H_1 + H_2 = 6\text{FT (1.8m)} + 2\text{FT (0.6m)} = 8 \text{ FT (2.4m)}$$

$$H_O = .03 \text{ (four } 90^\circ \text{ elbows} - 90^\circ)$$

$$= .03 \text{ (} 360^\circ - 90^\circ) = 8.1 \text{ FT (2.5m)}$$

$$H_T = H_R + H_O = 8\text{FT (2.4m)} + 8.1\text{FT (2.5m)} = 16.1\text{FT (4.9m)}$$

$$H_T + V_T = 16.1\text{FT (4.9m)} + 4.5\text{FT (1.4m)} = 20.6 \text{ FT (6.3m)}$$



Formula 1:

$$H_T \leq 3V_T$$

$$3V_T = 3\text{FT (0.9m)} \times 4.5\text{FT (1.4m)} = 13.5\text{FT (4.1m)}$$

$$16.1\text{FT (4.9m)} > 13.5\text{FT (4.1m)}$$

Since this formula is not met, this vent configuration is unacceptable.


Formula 2: $H_T + V_T \leq 40$ feet (12.2m)

$$20.6\text{FT (6.3m)} \leq 40 \text{ (12.2m)}$$

Since only formula 2 is met, this vent configuration is unacceptable and a new appliance location or vent configuration will need to be established to satisfy both formulas.


18.1_2B

4.0 INSTALLATION

 WARNING
ENSURE TO UNPACK ALL LOOSE MATERIALS FROM INSIDE THE FIREBOX PRIOR TO HOOKING UP THE GAS AND ELECTRICAL SUPPLY.
IF YOUR APPLIANCE IS SUPPLIED WITH A REMOTE, ENSURE THE REMOTE RECEIVER IS IN THE "OFF" POSITION PRIOR TO HOOKING UP THE GAS AND ELECTRICAL SUPPLY TO THE APPLIANCE.
FOR SAFE AND PROPER OPERATION OF THE APPLIANCE, FOLLOW THE VENTING INSTRUCTIONS EXACTLY.
ALL EXHAUST AND INTAKE VENT PIPE JOINTS MUST BE SEALED USING RED RTV HIGH TEMP SILICONE SEALANT (W573-0002) (NOT SUPPLIED) OR BLACK HIGH TEMP MILL PAC (W573-0007) (NOT SUPPLIED) WITH THE EXCEPTION OF THE APPLIANCE EXHAUST FLUE COLLAR WHICH MUST BE SEALED USING MILL PAC.
IF USING PIPE CLAMPS TO CONNECT VENT COMPONENTS, A MINIMUM OF 3 SCREWS MUST ALSO BE USED TO ENSURE THE CONNECTION CANNOT SLIP OFF.
DO NOT CLAMP THE FLEXIBLE VENT PIPE.
RISK OF FIRE, EXPLOSION OR ASPHYXIATION. IMPROPER SUPPORT OF THE ENTIRE VENTING SYSTEM MAY ALLOW VENT TO SAG AND SEPARATE. USE VENT RUN SUPPORTS AND CONNECT VENT SECTIONS PER INSTALLATION INSTRUCTIONS.
RISK OF FIRE, DO NOT ALLOW LOOSE MATERIALS OR INSULATION TO TOUCH THE VENT PIPE. REMOVE INSULATION TO ALLOW FOR THE INSTALLATION OF THE ATTIC SHIELD AND TO MAINTAIN CLEARANCES TO COMBUSTIBLES.

68.2D

4.1 WALL AND CEILING PROTECTION

 WARNING
DO NOT FILL THE SPACE BETWEEN THE VENT PIPE AND ENCLOSURE WITH ANY TYPE OF MATERIAL. DO NOT PACK INSULATION OR COMBUSTIBLES BETWEEN CEILING FIRESTOPS. ALWAYS MAINTAIN SPECIFIED CLEARANCES AROUND VENTING AND FIRESTOP SYSTEMS. INSTALL WALL SHIELDS AND FIRESTOPS AS SPECIFIED. FAILURE TO KEEP INSULATION OR OTHER MATERIALS AWAY FROM VENT PIPE MAY CAUSE FIRE.

70.1

For optimum performance it is recommended that all horizontal runs have a minimum of 1/4" (6.4mm) rise per foot (0.9m) using flexible venting. For safe and proper operation of the appliance, follow the venting instructions exactly.

For clearance to combustible materials from the vent pipe, see "FRAMING" section.

4.1.1 HORIZONTAL INSTALLATION

! WARNING

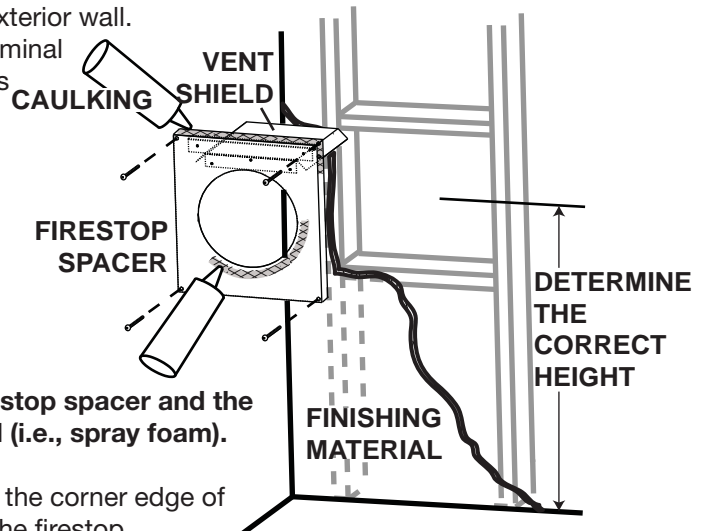
THE FIRESTOP ASSEMBLY MUST BE INSTALLED WITH THE VENT SHIELD TO THE TOP.

TERMINALS MUST NOT BE RECESSED INTO A WALL OR SIDING MORE THAN THE DEPTH OF THE RETURN FLANGE OF THE MOUNTING PLATE.

This application occurs when venting through an exterior wall. Having determined the correct height for the air terminal location, cut and frame a hole in the exterior wall as illustrated to accommodate the firestop assembly. Dry fit the firestop assembly before proceeding to ensure the brackets on the rear surface fit to the inside surface of the horizontal framing.

The length of the vent shield may be cut shorter for combustible walls that are less than 8 1/2" (215.9mm) thick but the vent shield must extend the full depth of the combustible wall.

NOTE : Do not fill the air space between the firestop spacer and the exterior wall with any type of insulating material (i.e., spray foam).



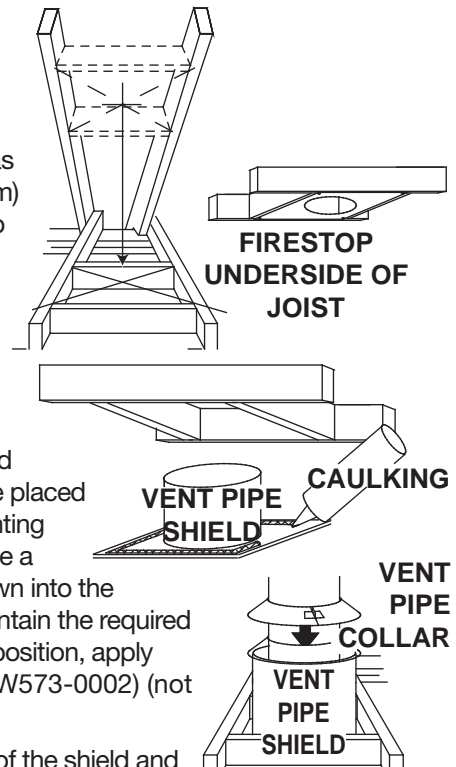
- Apply a bead of caulking (not supplied) around the corner edge of the inside surface of the firestop assembly, fit the firestop assembly to the hole and secure using the 4 screws (supplied in your manual baggie).
- Once the vent pipe is installed in its final position, apply red RTV silicone (W573-0002) (not supplied) between the pipe and the firestop.

20.2C

4.1.2 VERTICAL INSTALLATION

This application occurs when venting through a roof. Installation kits for various roof pitches are available from your authorized dealer / distributor. See accessories to order specific kits required.

- Determine the air terminal location, cut and frame a square opening as illustrated in the ceiling and the roof to provide the minimum 1" (25mm) clearance between the vent pipe and any combustible material. Try to center the vent pipe location midway between two joists to prevent having to cut them. Use a plumb bob to line up the center of the openings. A vent pipe shield will prevent any materials such as insulation, from filling up the 1" (25mm) air space around the pipe. Nail headers between the joist for extra support.
- Apply a bead of caulking (not supplied) to the framework or to the Wolf Steel vent pipe shield plate or equivalent (in the case of a finished ceiling), and secure over the opening in the ceiling. A firestop must be placed on the bottom of each framed opening in a roof or ceiling that the venting system passes through. Apply a bead of caulking all around and place a firestop spacer over the vent shield to restrict cold air from being drawn into the room or around the fireplace. Ensure that both spacer and shield maintain the required clearance to combustibles. Once the vent pipe is installed in its final position, apply Mill Pac sealant (W573-0007) (not supplied) or red RTV silicone (W573-0002) (not supplied) between the pipe and the firestop assembly.
- In the attic, slide the vent pipe collar down to cover up the open end of the shield and tighten. This will prevent any materials, such as insulation, from filling up the 1" (25mm) air space around the pipe.



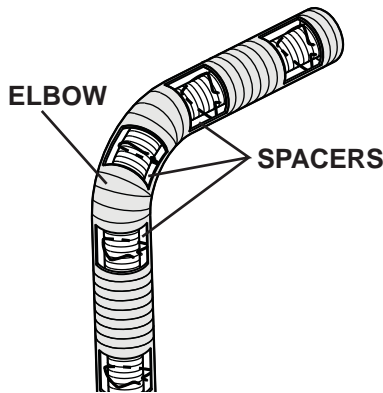
21.1B

4.2 USING FLEXIBLE VENT COMPONENTS

! WARNING

DO NOT ALLOW THE INNER FLEX PIPE TO BUNCH UP ON HORIZONTAL OR VERTICAL RUNS AND ELBOWS. KEEP IT PULLED TIGHT.

SPACERS ARE ATTACHED TO THE INNER FLEX PIPE AT PREDETERMINED INTERVALS TO MAINTAIN AN EVEN AIR GAP TO THE OUTER FLEX PIPE. THIS GAP IS REQUIRED FOR SAFE OPERATION. A SPACER IS REQUIRED AT THE START, MIDDLE AND END OF EACH ELBOW TO ENSURE THIS GAP IS MAINTAINED. THESE SPACERS MUST NOT BE REMOVED.



For safe and proper operation of the appliance, follow the venting instructions exactly.

All inner flex pipe and outer flex pipe joints may be sealed using high temperature red RTV silicone W573-0002 (not supplied) or the high temperature sealant W573-0007 Mill Pac (not supplied). However, the high temperature sealant W573-0007 Mill Pac (not supplied) must be used on the joint connecting the inner flex pipe and the exhaust flue collar.

Use only approved flexible vent pipe kits marked:

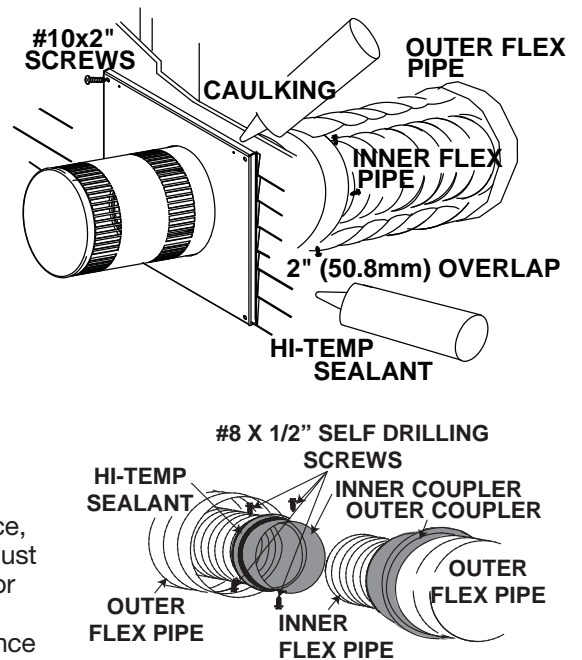


“Wolf Steel Approved Venting” as identified by the stamp only on the outer flex pipe.

22.1A

4.2.1 HORIZONTAL AIR TERMINAL INSTALLATION

- A. Stretch the inner flex pipe to the required length taking into account the additional length needed for the finished wall surface. Apply a heavy bead of the Mill Pac sealant (W573-0007) (not supplied) to the inner sleeve of the air terminal. Slip the vent pipe a minimum of 2" (50.8mm) over the inner sleeve of the air terminal and secure with 6 #8 screws.
- B. Using the outer flex pipe, slide over the outer combustion air sleeve of the air terminal and secure with 6 #8 screws. Seal using Red RTV Silicone (W573-0002) (not supplied).
- C. Insert the vent pipes through the firestop maintaining the required clearance to combustibles. Holding the air terminal (lettering in an upright, readable position), secure to the exterior wall and make weather tight by sealing with caulking (not supplied).
- D. If more vent pipe needs to be used to reach the fireplace, couple them together as illustrated. The vent system must be supported approximately every 3 feet (0.9 meters) for both vertical and horizontal runs. Use noncombustible strapping to maintain the minimum 1" (25.4mm) clearance to combustibles.



The air terminal mounting plate may be recessed into the exterior wall or siding no greater than the depth of its return flange.

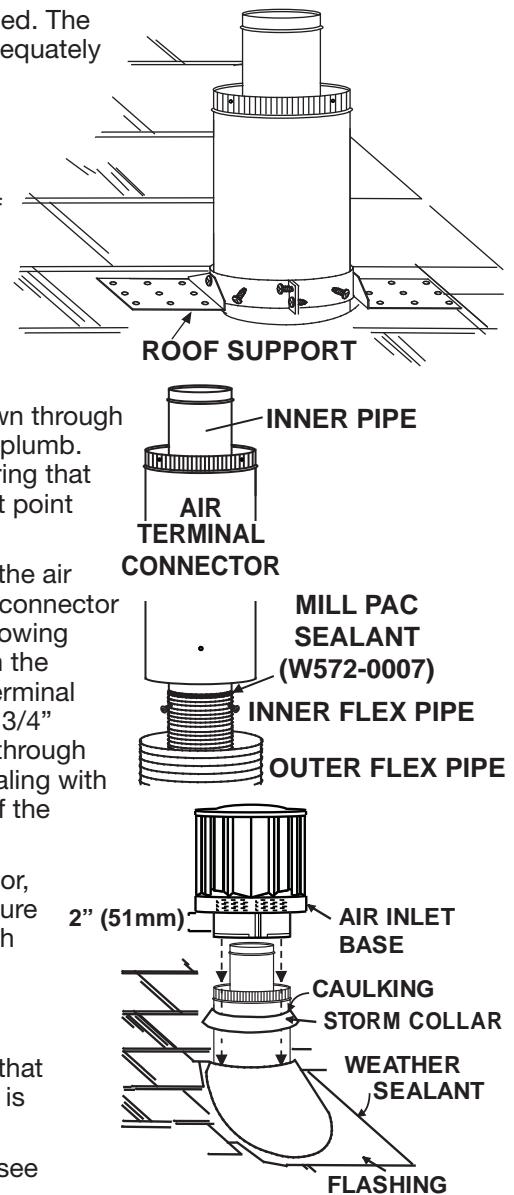
23.4C

4.2.2 VERTICAL AIR TERMINAL INSTALLATION

! WARNING

MAINTAIN A MINIMUM 2" (51mm) SPACE BETWEEN THE AIR INLET BASE AND THE STORM COLLAR.

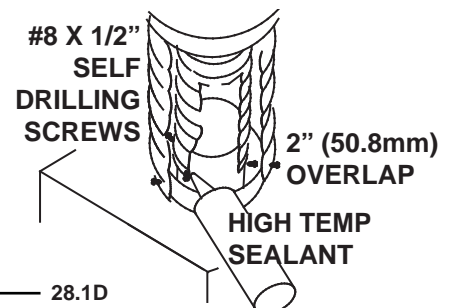
- A. Fasten the roof support to the roof using the screws provided. The roof support is optional. In this case the venting is to be adequately supported using either an alternate method suitable to the authority having jurisdiction or the optional roof support.
- B. Stretch the inner flex pipe to the required length. Slip the inner flex pipe a minimum of 2" (51mm) over the inner pipe of the air terminal connector and secure with a minimum of 3 #8 screws. Seal using a heavy bead of Mill Pac sealant (W573-0007) (not supplied).
- C. Repeat using the outer flex pipe, using a heavy bead of red RTV silicone (W573-0002) (not supplied) and a minimum of 3 #8 screws.
- D. Thread the air terminal connector / vent pipe assembly down through the roof. The air terminal must be positioned vertically and plumb. Attach the air terminal connector to the roof support, ensuring that the top of the air terminal is 16" (40.6cm) above the highest point that it penetrates the roof.
- E. Remove nails from the shingles, above and to the sides of the air terminal connector. Place the flashing over the air terminal connector leaving a min. 3/4" (19mm) of the air terminal connector showing above the top of the flashing. Slide the flashing underneath the sides and upper edge of the shingles. Ensure that the air terminal connector is properly centered within the flashing, giving a 3/4" (19mm) margin all around. Fasten to the roof. Do not nail through the lower portion of the flashing. Make weather-tight by sealing with caulking. Where possible, cover the sides and top edges of the flashing with roofing material.
- F. Aligning the seams of the terminal and air terminal connector, place the terminal over the air terminal connector making sure the vent pipe goes into the hole in the terminal. Secure with the three screws provided.
- G. Apply a heavy bead of weatherproof caulking 2" (51mm) above the flashing. Install the storm collar around the air terminal and slide down to the caulking. Tighten to ensure that a weather-tight seal between the air terminal and the collar is achieved.
- H. If more vent pipe needs to be used to reach the appliance see "HORIZONTAL AIR TERMINAL INSTALLATION" section.



24.1C

4.2.3 APPLIANCE VENT CONNECTION

- A. Install the inner exhaust flue collar to the appliance. Secure with a minimum of 3 #8 screws. Seal the joint and screw holes using Mill Pac sealant (W573-0007) (not supplied).
- B. Install the outer flex pipe to the appliance. Attach and seal the joints using a red RTV silicone and a minimum of 3 #8 screws.



28.1D

4.3 MOBILE HOME INSTALLATION

This appliance must be installed in accordance with the manufacturer's instructions and the Manufactured Home Construction and Safety Standard, Title 24 CFR, Part 3280, in the United States or the Mobile Home Standard, CAN/CSA Z240 MH Series, in Canada. This appliance is only for use with the type(s) of gas indicated on the rating plate.

This Mobile/Manufactured Home Listed appliance comes factory equipped with a means to secure the unit. Built in appliances are equipped with 1/4" (6.4mm) diameter holes located in the front left and right corners of the base. Use #10 hex head screws, inserted through the holes in the base to secure. For free standing products contact your local authorized dealer / distributor for the appropriate securing kit. For mobile home installations, the appliance must be fastened in place. It is recommended that the appliance be secured in all installations. Always turn off the pilot and the fuel supply at the source, prior to moving the mobile home. After moving the mobile home and prior to lighting the appliance, ensure that the logs are positioned correctly.

This appliance is certified to be installed in an aftermarket permanently located, manufactured (mobile) home, where not prohibited by local codes.
This appliance is only for use with the type of gas indicated on the rating plate. This appliance is not convertible for use with other gases, unless a certified kit is used.

Conversion Kits

This appliance is field convertible between Natural Gas (NG) and Propane (P).
To convert from one gas to another consult your Authorized dealer/distributor.

29.1B

4.4 GAS INSTALLATION

! WARNING
RISK OF FIRE, EXPLOSION OR ASPHYXIATION. ENSURE THERE ARE NO IGNITION SOURCES SUCH AS SPARKS OR OPEN FLAMES.
SUPPORT GAS CONTROL WHEN ATTACHING GAS SUPPLY PIPE TO PREVENT DAMAGING GAS LINE.
ALWAYS LIGHT THE PILOT WHETHER FOR THE FIRST TIME OR IF THE GAS SUPPLY HAS RUN OUT WITH THE GLASS DOOR OPENED OR REMOVED. PURGING OF THE GAS SUPPLY LINE SHOULD BE PERFORMED BY A QUALIFIED SERVICE TECHNICIAN. ASSURE THAT A CONTINUOUS GAS FLOW IS AT THE BURNER BEFORE CLOSING THE DOOR. ENSURE ADEQUATE VENTILATION. FOR GAS AND ELECTRICAL LOCATIONS, SEE "DIMENSIONS" SECTION.
ALL GAS CONNECTIONS MUST BE CONTAINED WITHIN THE APPLIANCE WHEN COMPLETE.
HIGH PRESSURE WILL DAMAGE VALVE. DISCONNECT GAS SUPPLY PIPING BEFORE TESTING GAS LINE AT TEST PRESSURES ABOVE 1/2 PSIG.
VALVE SETTINGS HAVE BEEN FACTORY SET, DO NOT CHANGE.

Installation and servicing to be done by a qualified installer.

- Move the appliance into position and secure.
- If equipped with a flex connector the appliance is designed to accept a 1/2" (13mm) gas supply. Without the connector it is designed to accept a 3/8" (9.5mm) gas supply. The appliance is equipped with a manual shut off valve to turn off the gas supply to the appliance.
- Connect the gas supply in accordance to local codes. In the absence of local codes, install to the current CAN/CSA-B149.1 Installation Code in Canada or to the current National Fuel Gas Code, ANSI Z223.1 / NFPA 54 in the United States.
- When flexing any gas line, support the gas valve so that the lines are not bent or kinked.
- The gas line flex-connector should be installed to provide sufficient movement for shifting the burner assembly on its side to aid with servicing components.
- Check for gas leaks by brushing on a soap and water solution. **Do not use open flame.**

30.1A

5.0 FRAMING

! WARNING
RISK OF FIRE!
IN ORDER TO AVOID THE POSSIBILITY OF EXPOSED INSULATION OR VAPOUR BARRIER COMING IN CONTACT WITH THE APPLIANCE BODY, IT IS RECOMMENDED THAT THE WALLS OF THE APPLIANCE ENCLOSURE BE "FINISHED" (IE: DRYWALL / SHEETROCK), AS YOU WOULD FINISH ANY OTHER OUTSIDE WALL OF A HOME. THIS WILL ENSURE THAT CLEARANCE TO COMBUSTIBLES IS MAINTAINED WITHIN THE CAVITY.
DO NOT NOTCH THE FRAMING AROUND THE APPLIANCE STAND-OFFS. FAILURE TO MAINTAIN AIR SPACE CLEARANCE MAY CAUSE OVER HEATING AND FIRE. PREVENT CONTACT WITH SAGGING OR LOOSE INSULATION OR FRAMING AND OTHER COMBUSTIBLE MATERIALS. BLOCK OPENING INTO THE CHASE TO PREVENT ENTRY OF BLOWN-IN INSULATION. MAKE SURE INSULATION AND OTHER MATERIALS ARE SECURED.
WHEN CONSTRUCTING THE ENCLOSURE ALLOW FOR FINISHING MATERIAL THICKNESS TO MAINTAIN CLEARANCES. FRAMING OR FINISHING MATERIAL CLOSER THAN THE MINIMUMS LISTED MUST BE CONSTRUCTED ENTIRELY OF NON-COMBUSTIBLE MATERIALS. MATERIALS CONSISTING ENTIRELY OF STEEL, IRON, BRICK, TILE, CONCRETE, SLATE, GLASS OR PLASTERS, OR ANY COMBINATION THEREOF ARE SUITABLE. MATERIALS THAT ARE REPORTED AS PASSING ASTM E 136, STANDARD TEST METHOD FOR BEHAVIOUR OF MATERIALS IN A VERTICAL TUBE FURNACE AT 1382°F (750°C) AND UL763 SHALL BE CONSIDERED NON-COMBUSTIBLE MATERIALS.
MINIMUM CLEARANCE TO COMBUSTIBLES MUST BE MAINTAINED OR A SERIOUS FIRE HAZARD COULD RESULT.
THE APPLIANCE REQUIRES A MINIMUM ENCLOSURE HEIGHT. MEASURE FROM THE APPLIANCE BASE.
IF STEEL STUD FRAMING KITS WITH CEMENT BOARD ARE PROVIDED, OR SPECIFIED IN THE INSTALLATION INSTRUCTIONS, THEY MUST BE INSTALLED.
IF SPECIFIED IN THE INSTALLATION INSTRUCTION FINISHING MUST BE DONE USING A NON-COMBUSTIBLE MATERIAL SUCH AS NON-COMBUSTIBLE BOARD, CERAMIC TILE, MARBLE, ETC. DO <u>NOT</u> USE WOOD OR DRYWALL. ANY FIRE RATED DRYWALL IS NOT ACCEPTABLE

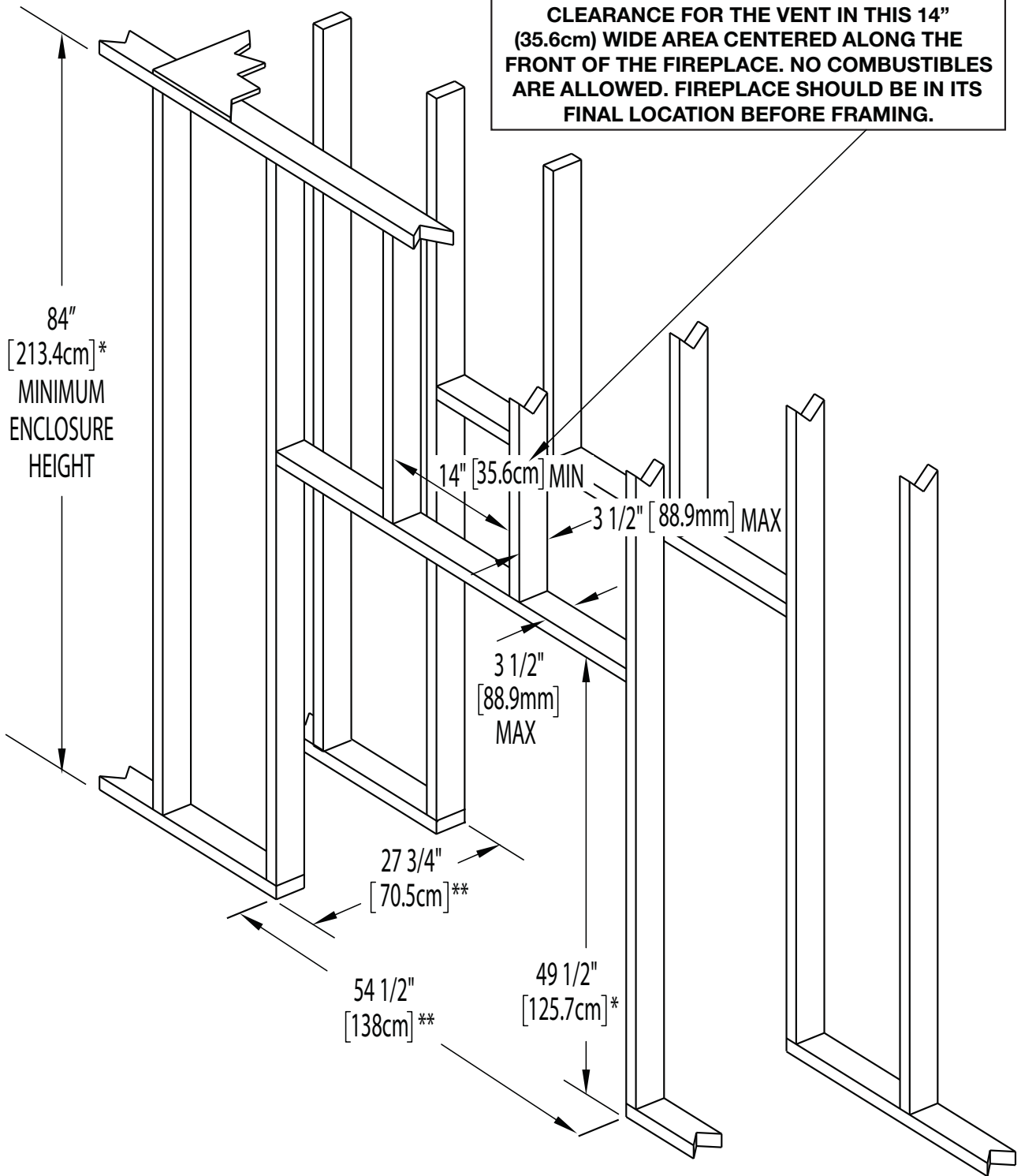
71.1C

This appliance is installed into a rectangular opening.

It is best to frame your appliance after it is positioned and the vent system is installed. Use the two steel stud framing kits and cement board provided.

When roughing in the appliance, raise the appliance to accommodate for the thickness of the finished floor materials, i.e. tile, carpeting and hard wood.

! WARNING
 DO NOT BUILD INTO THIS AREA - IT MUST BE LEFT CLEAR TO PROVIDE ADEQUATE CLEARANCE FOR THE VENT IN THIS 14" (35.6cm) WIDE AREA CENTERED ALONG THE FRONT OF THE FIREPLACE. NO COMBUSTIBLES ARE ALLOWED. FIREPLACE SHOULD BE IN ITS FINAL LOCATION BEFORE FRAMING.



* Allow for finished floor and hearth thickness when setting these dimensions
 ** When constructing the enclosure allow for finishing material thickness to maintain clearances.

5.1 MINIMUM CLEARANCES TO COMBUSTIBLES

Maintain these minimum clearances to combustibles from appliance and vent surfaces:

Appliance framing:

Use steel stud framing provided.

Non- Combustible Appliance finishing:

- Front - 7 5/8" (194mm) to sides of appliance opening
- 16 1/16" (40.8cm) to top of appliance opening

Combustible Appliance finishing:

- 84" (213cm) from bottom of appliance to enclosure top
- 2" (50.8mm) to top, sides, and bottom of vent pipe*

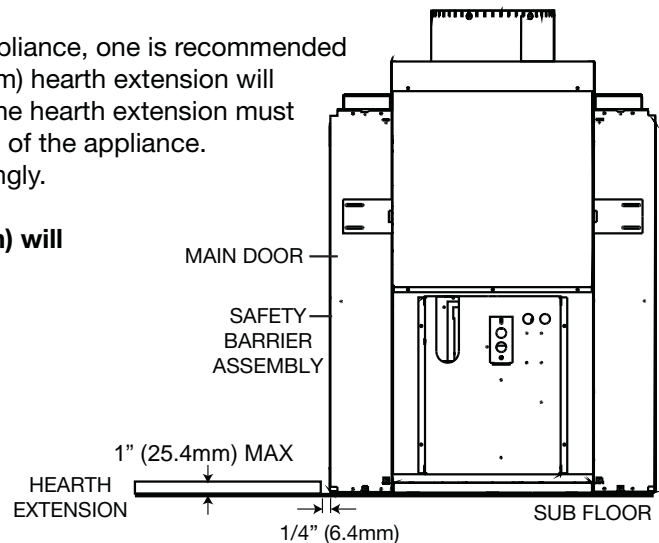
***HORIZONTAL VENT SECTIONS:** A minimum clearance of 2" (50.8mm) all around the vent pipe on all horizontal runs to combustibles is required except for clearances in appliance enclosures. Horizontal vent sections within the enclosure require a minimum clearance of 14" (35.6cm) from the top of the vent pipe, see "MINIMUM CLEARANCE TO COMBUSTIBLE ENCLOSURES" section. Use firestop spacer W010-3364 (supplied).

***VERTICAL VENT SECTIONS:** A minimum of 1" (25mm) all around the vent pipe on all vertical runs to combustibles is required except for clearances in appliance enclosures. Vertical vent sections within enclosures require a minimum clearance of 3" (76.2mm) around the vent pipe, see "MINIMUM CLEARANCES TO COMBUSTIBLE ENCLOSURES" section. Use firestop spacer W010-3364 (not supplied).

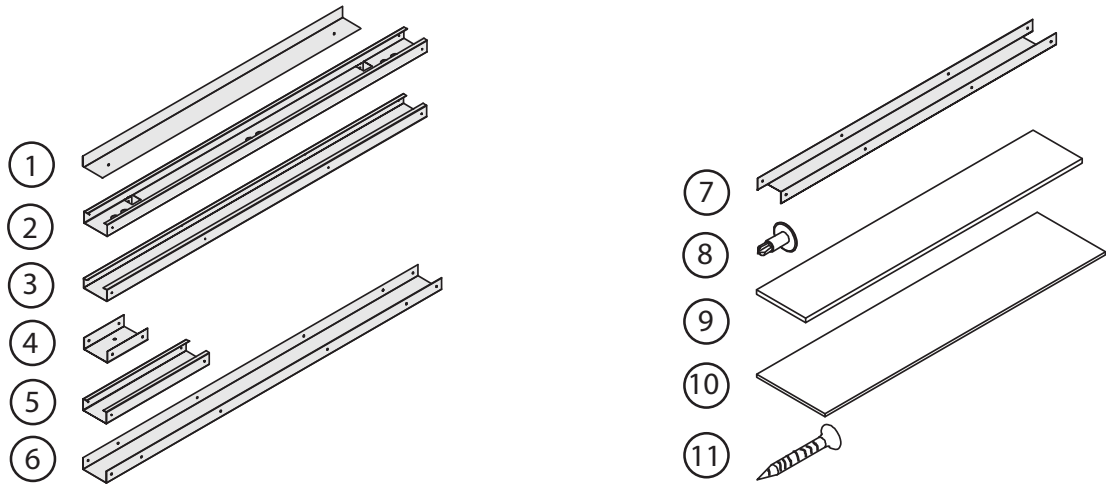
5.2 HEARTH EXTENSION

While a hearth extension is not required for this appliance, one is recommended for aesthetic reasons. The installation of a 1" (25mm) hearth extension will conceal the 1" (25mm) gap under the appliance. The hearth extension must not be any more than 1" (25mm) above the bottom of the appliance. If thicker, the appliance must be raised up accordingly.

NOTE: Hearth extensions thicker than 1" (25mm) will interfere with the safety barrier assembly.



5.3 STEEL STUD FRAMING KIT



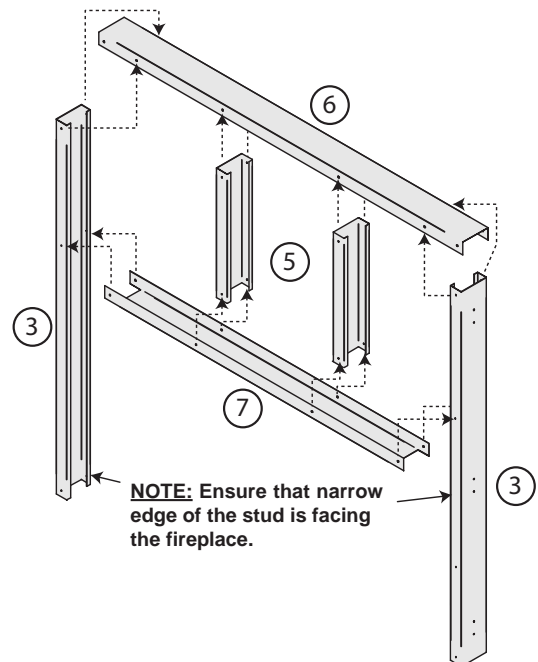
REF NO.	PART NO.	DESCRIPTION	DIMENSIONS	QTY
1	W585-0269	STUD SHIELD	1" x 2" x 4.4FT (25mm x 50.8mm x 1.35m)	2
2	W650-0017	STUD, OUTSIDE STEEL	1 1/2" x 3 1/2" x 4.1FT (38mm x 88.9mm x 1.24m)	4
3	W650-0041	STUD, INSIDE STEEL	1 1/2" x 3 1/2" x 4.1FT (38mm x 88.9mm x 1.24m)	4
4	W650-0028	STUD, BOTTOM STEEL	1 1/2" x 3 1/2" x 7 1/2" (38mm x 88.9mm x 190.5mm)	4
5	W650-0020	STUD, CENTER STEEL	1 1/2" x 3 1/2" x 13 3/8" (38mm x 88.9mm x 34cm)	4
6	W650-0026	STUD, TOP STEEL	1 1/2" x 3 1/2" x 4.5FT (38mm x 88.9mm x 1.4m)	2
7	W650-0027	STUD, HEADER PLATE	1 1/2" x 3 1/2" x 3.5FT (38mm x 88.9mm x 1.06m)	2
8	W570-0024	SCREW #8 x 1/2"		64
9	W475-0868	CEMENT BOARD SIDE PANEL	1/2" x 7 1/2" x 4.1FT (13mm x 19.1cm x 1.24m)	4
10	W475-0867	CEMENT BOARD CENTER PANEL	1/2" x 15 1/2" x 3.2FT (13mm x 39.4cm x 0.99m)	2
11	W570-0017	SCREW #6 x 1"		30

5.3.1 INSIDE FRAME ASSEMBLY

! WARNING

EDGES ARE SHARP, ALWAYS WEAR GLOVES WHEN WORKING WITH SHEET METAL.

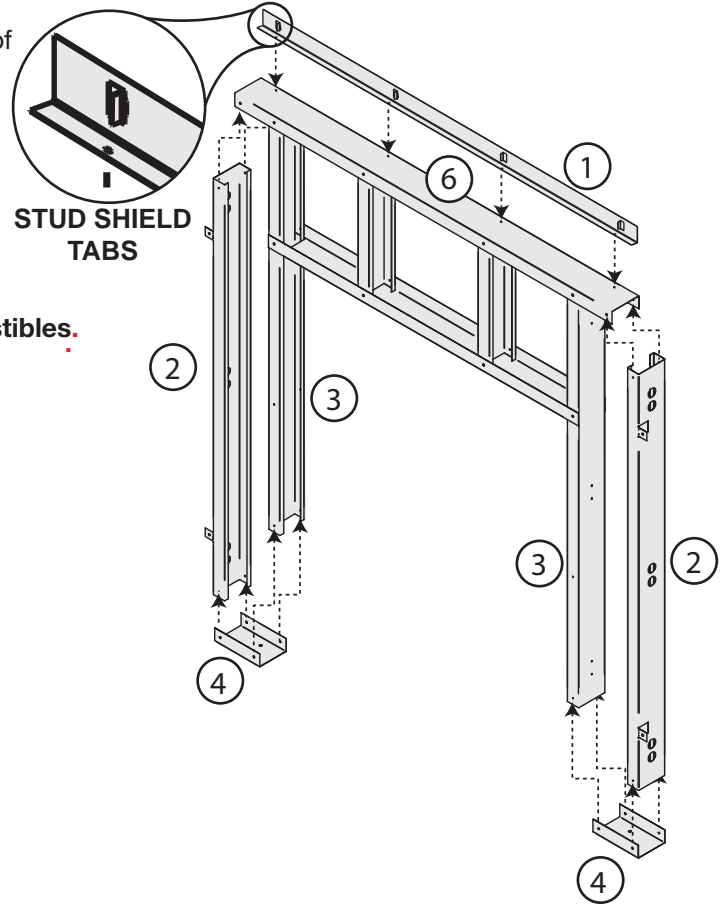
- A. Lay out inside steel studs (3) and center steel studs (5) on a large flat surface.
- B. Using the screws provided (8), attach the top steel header (6) to the inside steel studs (3) and to the center steel studs (5) on both edges.
- C. Attach header plate stud (7) to the inside steel studs (3).



5.3.2 ATTACH SIDE STUDS (LEGS)

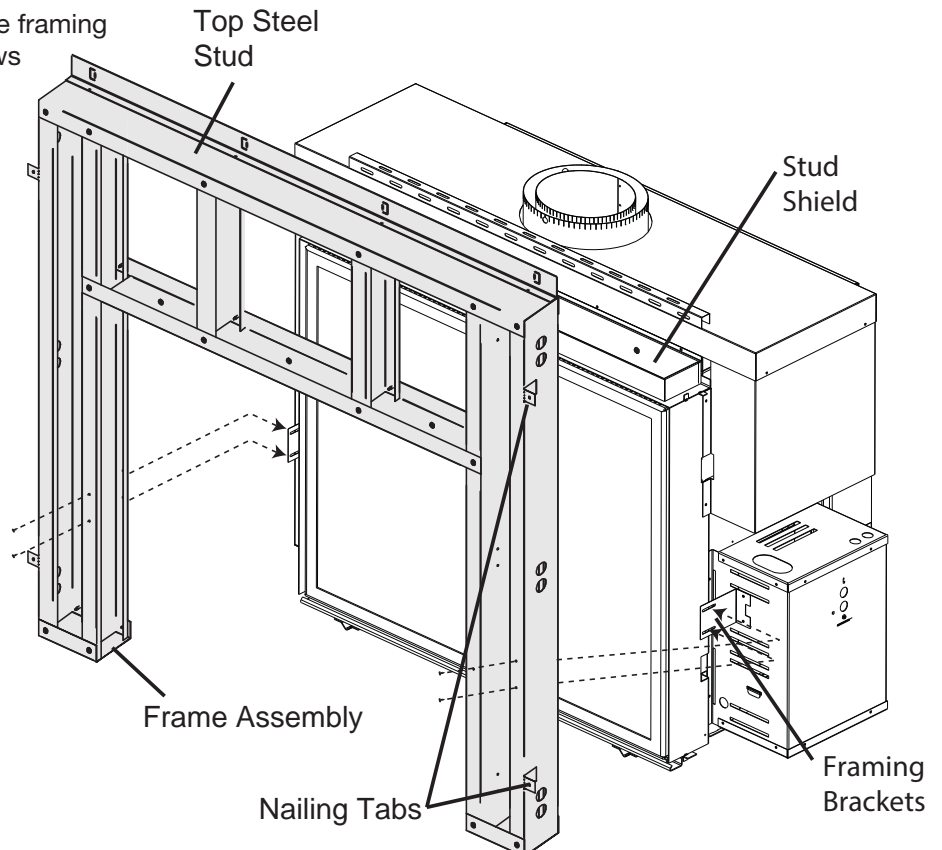
- Attach the outside steel studs (2) to the top of the top steel stud (6).
- Fasten the outside steel studs (2) and inside steel studs (3) to the bottom steel studs (4).
- Attach the stud shield (1) to the top steel stud (6).

NOTE: Tabs on stud shield must be bent forward to maintain clearances to combustibles.



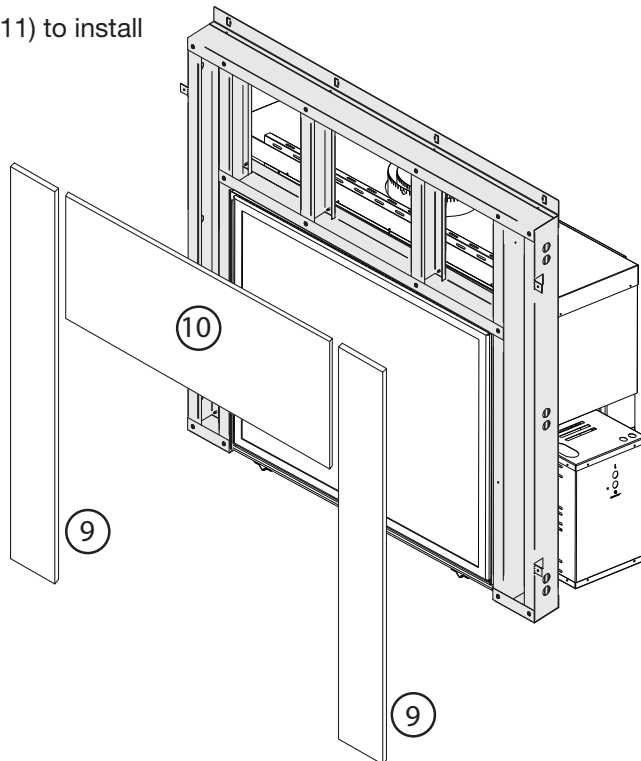
5.3.3 ATTACH THE ASSEMBLED FRAME TO THE APPLIANCE

- Align the frame assembly to the framing brackets and secure with screws provided. The frame assembly should be flush with the front of the stud shield.
- Secure the frame assembly to the stud shield.
- Secure the frame assembly to the framed combustible enclosure by bending out the nailing tabs and securing.



5.3.4 INSTALL CONCRETE BOARD SIDE AND CENTER PANELS

With the frame assembly in place use drywall screws (11) to install the concrete board center (10) and sides (9).



5.3.5 STEEL FRAMING KIT SIDE TWO

Repeat sections “INSIDE FRAME ASSEMBLY” through “INSTALL CONCRETE BOARD SIDE AND CENTER PANELS “ for opposite side.

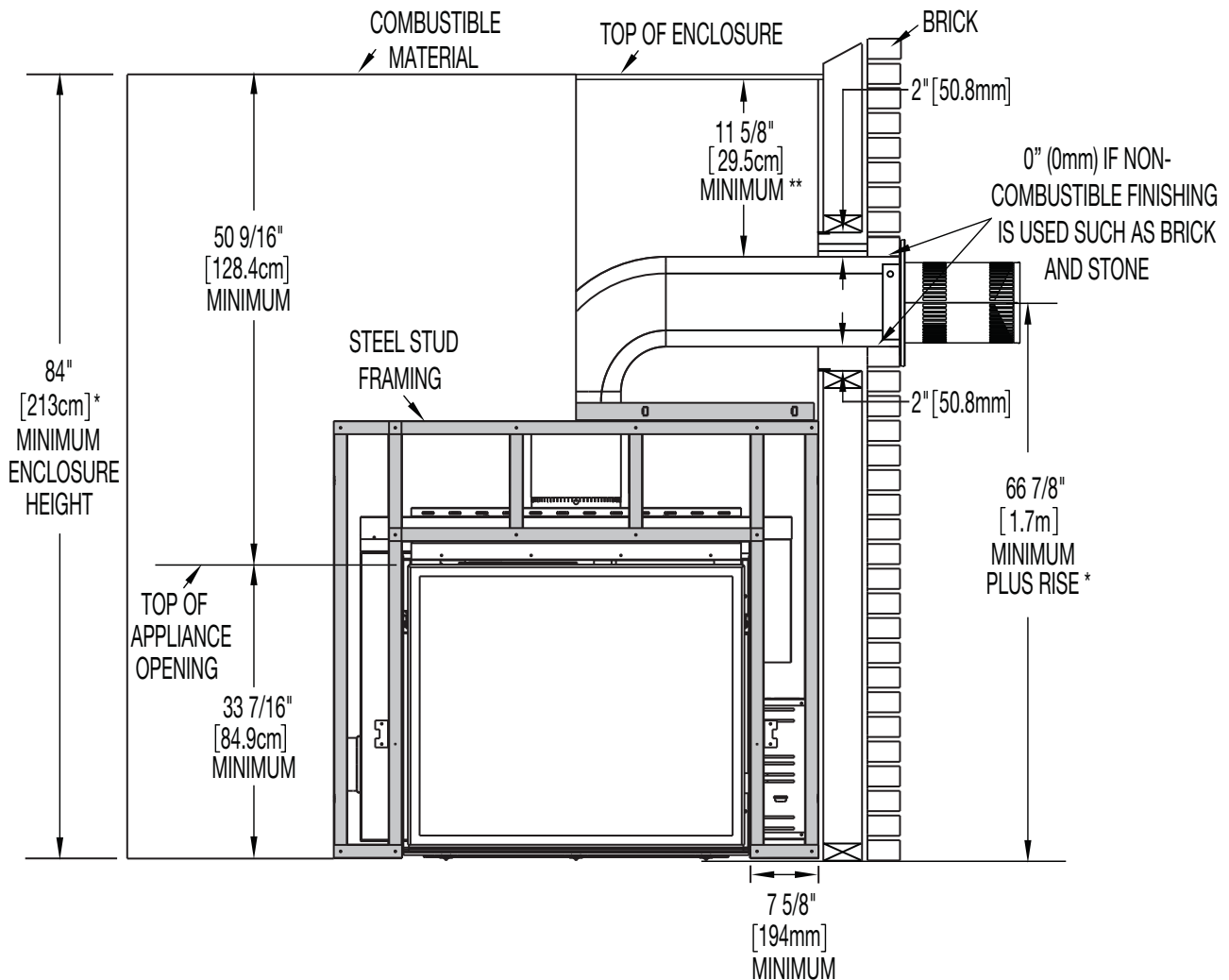
5.4 MINIMUM CLEARANCE TO COMBUSTIBLE ENCLOSURES

! WARNING**RISK OF FIRE!**

THE FRONT OF THE APPLIANCE MUST BE FINISHED WITH ANY NON-COMBUSTIBLE MATERIALS SUCH AS BRICK, MARBLE, GRANITE, ETC., PROVIDED THAT THESE MATERIALS DO NOT COVER THE APPLIANCE OPENING.

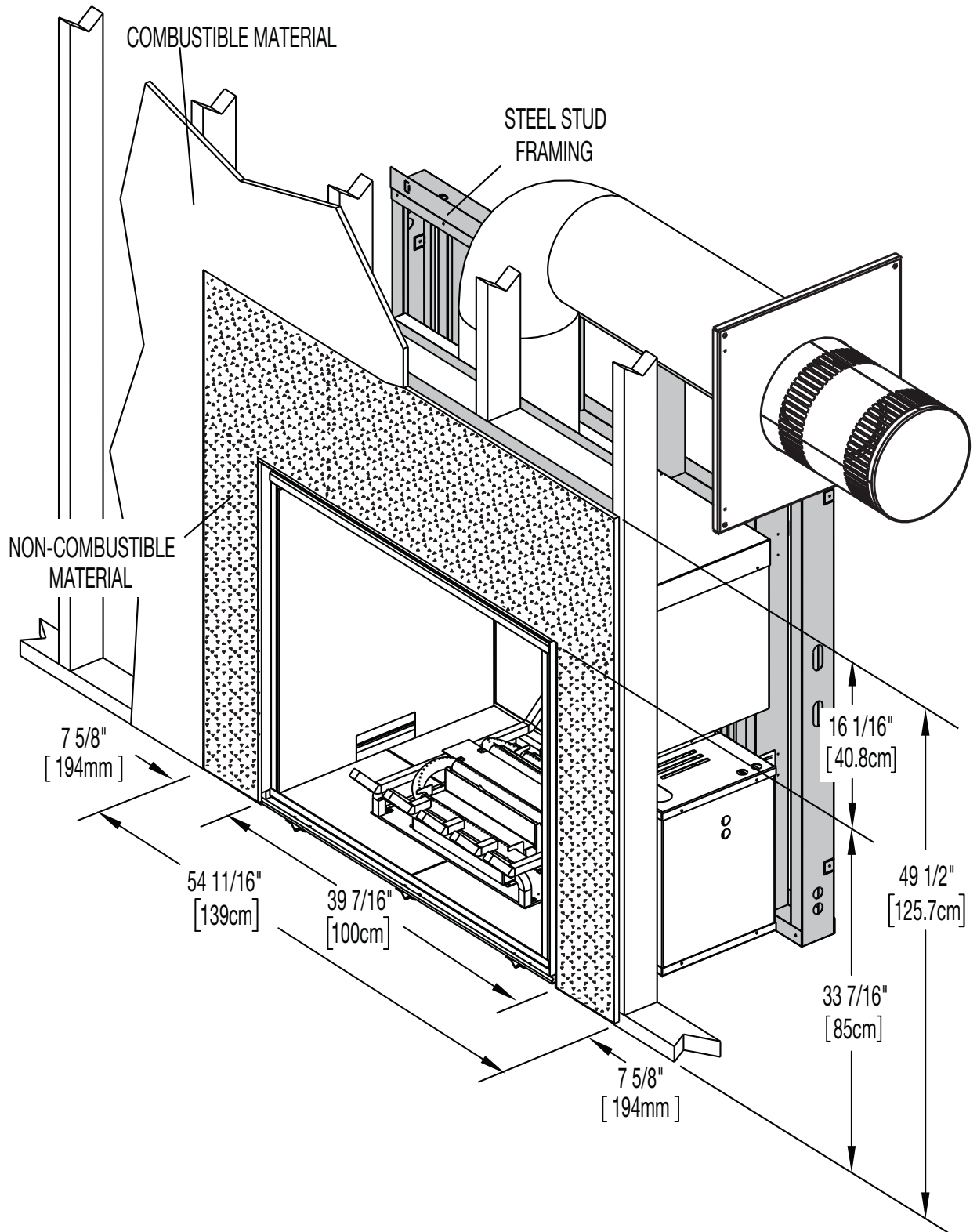
THE STEEL STUD FRAMING KITS WITH CEMENT BOARD PROVIDED MUST BE INSTALLED.

IMPORTANT: This appliance requires a minimum inside enclosure height of 84" (213cm), measured from the bottom of the appliance. For temperature requirements, this area must be left unobstructed. It is recommended that the enclosure be ventilated at the top and bottom to circulate the air.



* Refer to "VENTING" section.

** **NOTE:** Within the appliance enclosure a 3" (76.2mm) clearance between the vertical vent run and the combustibles on the front facing of the enclosure is required. Similarly, a 11 5/8" (29.5cm) clearance to combustibles from the top of the horizontal vent run is required. All other clearances within the enclosure, including where the vent pipe exits the enclosure are subject to 2" (50.8mm) for horizontal and 1" (25.4mm) for vertical.



5.5 MINIMUM MANTEL CLEARANCES

EN

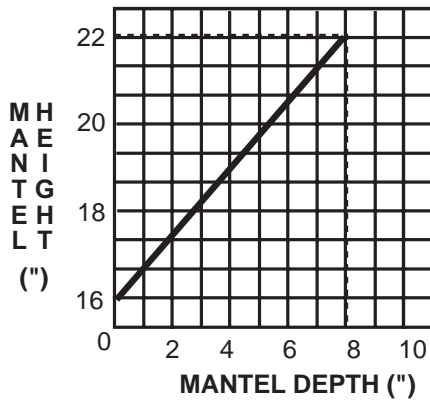
! WARNING

RISK OF FIRE, MAINTAIN ALL SPECIFIED AIR SPACE CLEARANCES TO COMBUSTIBLES. FAILURE TO COMPLY WITH THESE INSTRUCTIONS MAY CAUSE A FIRE OR CAUSE THE APPLIANCE TO OVERHEAT. ENSURE ALL CLEARANCES (I.E. BACK, SIDE, TOP, VENT, MANTEL, FRONT, ETC.) ARE CLEARLY MAINTAINED.

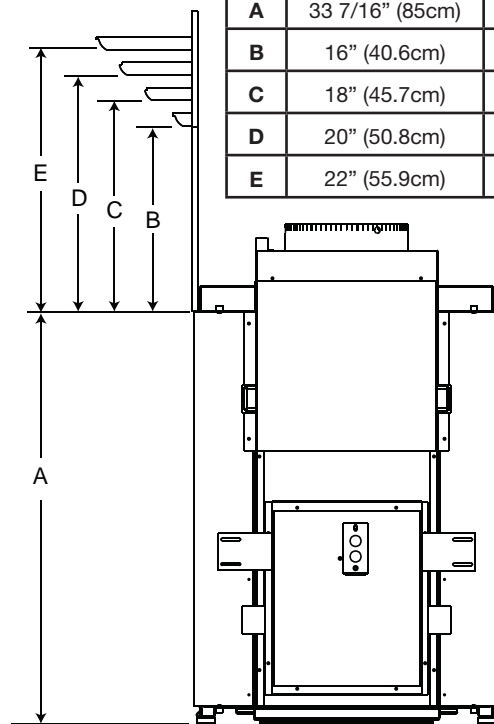
WHEN USING PAINT OR LACQUER TO FINISH THE MANTEL, THE PAINT OR LACQUER MUST BE HEAT RESISTANT TO PREVENT DISCOLOURATION.

73.1

Combustible mantel clearance can vary according to the mantel depth. Use the graph to help evaluate the clearance needed.



MANTEL DIMENSIONS		
Ref	Height	Depth
A	33 7/16" (85cm)	
B	16" (40.6cm)	2" (51mm)
C	18" (45.7cm)	4" (102mm)
D	20" (50.8cm)	6" (152mm)
E	22" (55.9cm)	8" (203mm)



6.0 FINISHING

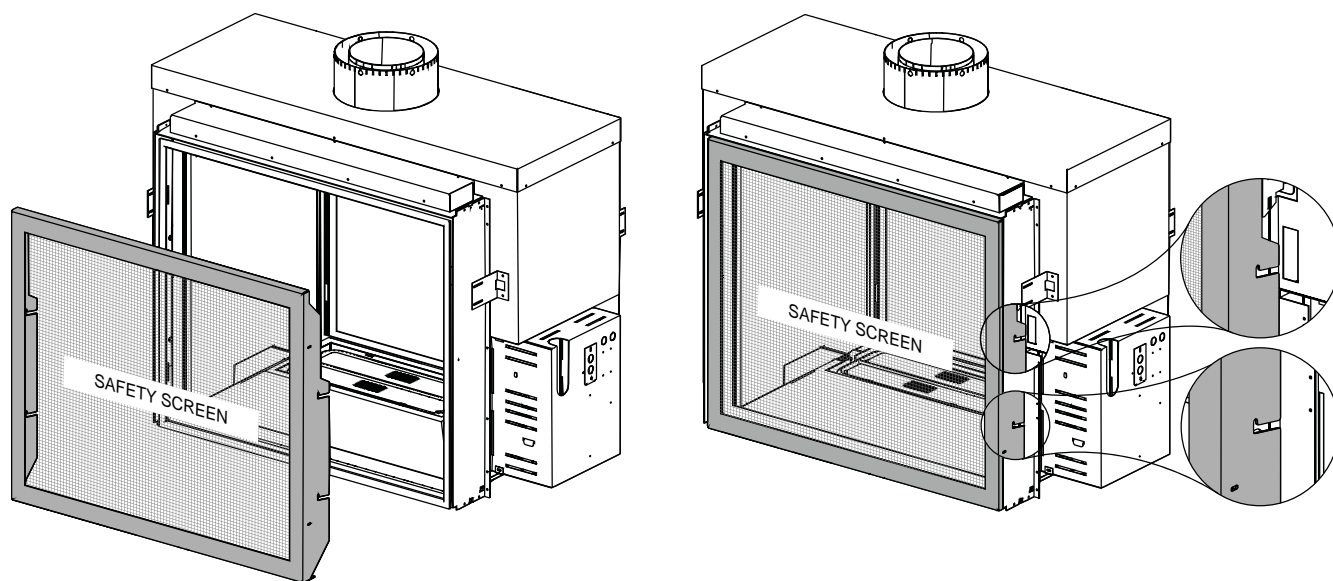
! WARNING
RISK OF FIRE!
NEVER OBSTRUCT THE FRONT OPENING OF THE APPLIANCE.
THE FRONT OF THE APPLIANCE MUST BE FINISHED WITH ANY NON-COMBUSTIBLE MATERIALS SUCH AS BRICK, MARBLE, GRANITE, ETC., PROVIDED THAT THESE MATERIALS DO NOT GO BELOW THE SPECIFIED DIMENSION AS ILLUSTRATED.
DO NOT STRIKE, SLAM OR SCRATCH GLASS. DO NOT OPERATE APPLIANCE WITH GLASS REMOVED, CRACKED, BROKEN OR SCRATCHED.
FACING AND/OR FINISHING MATERIAL MUST NEVER OVERHANG INTO THE APPLIANCE OPENING.
THE GLASS DOOR ASSEMBLY IS DESIGNED TO PIVOT FORWARD WHEN RELIEVING EXCESS PRESSURE THAT MIGHT OCCUR. FINISHING OR OTHER MATERIALS MUST NOT BE LOCATED IN THE OPENING SURROUNDING THE DOOR AS THIS WILL INTERFERE WITH THE DOORS ABILITY TO RELIEVE THE PRESSURE.

72.6

6.1 SAFETY SCREEN REMOVAL / INSTALLATION

A barrier designed to reduce the risk of burns from the hot viewing glass is provided with the appliance and must be installed.

Lift the safety barrier assembly off the four shoulder screws, pull up and out to remove from the appliance.



Reverse these instructions to re-install the trim with safety screen. Ensure the safety screen is installed correctly.

6.2 DOOR REMOVAL / INSTALLATION

! WARNING

GLASS MAY BE HOT, DO NOT TOUCH GLASS UNTIL COOLED.

IF EQUIPPED WITH DOOR LATCHES THAT ARE PART OF A SAFETY RELIEF SYSTEM, THEY MUST BE PROPERLY ENGAGED. DO NOT OPERATE THE APPLIANCE WITH LATCHES DISENGAGED.

FACING AND/OR FINISHING MATERIALS MUST NOT INTERFERE WITH AIR FLOW THROUGH AIR OPENINGS, LOUVRE OPENINGS, OPERATION OF LOUVRES OR DOORS OR ACCESS FOR SERVICE. OBSERVE ALL CLEARANCES WHEN APPLYING COMBUSTIBLE MATERIALS.

BEFORE DOOR IS REMOVED TURN THE APPLIANCE OFF AND WAIT UNTIL APPLIANCE IS COOL TO THE TOUCH. DOORS ARE HEAVY AND FRAGILE SO HANDLE WITH CARE.

75.1A

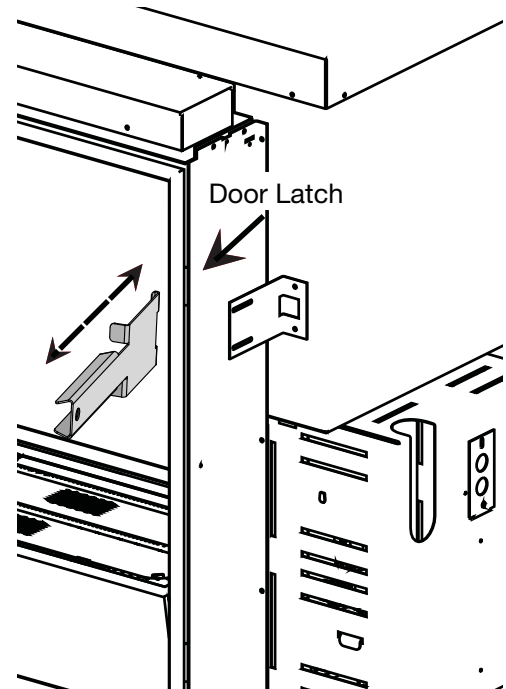
! WARNING

DO NOT INSERT FINGERS IN THE GAP BETWEEN THE DOOR AND THE FRAMING EDGE, THERE IS A RISK OF INJURY DUE TO THE SPRING MECHANISM.

Before the glass door can be removed the safety screen must be removed, refer to "SAFETY SCREEN REMOVAL / INSTALLATION" section.

- A. Locate the door latches: one at each the left and right side of the door between the main door and framing edge.
- B. Place the latch key into slots of the door latch. Pull out and forward to disengage door latches.
- C. Tilt the top of the door forward until you can grip the sides of the door. Lift up and out of the bottom door retainer.
- D. To re-install the door, lift onto the bottom door retainer, pivot the top of the door into the closed position. Hold the door in place and re secure the latches. **NOTE: These latches make up the spring relief system for the appliance. Ensure they open freely and close sealed.**

Reverse these steps to re-install the door and trim with safety screen. Ensure the safety screen is installed correctly.



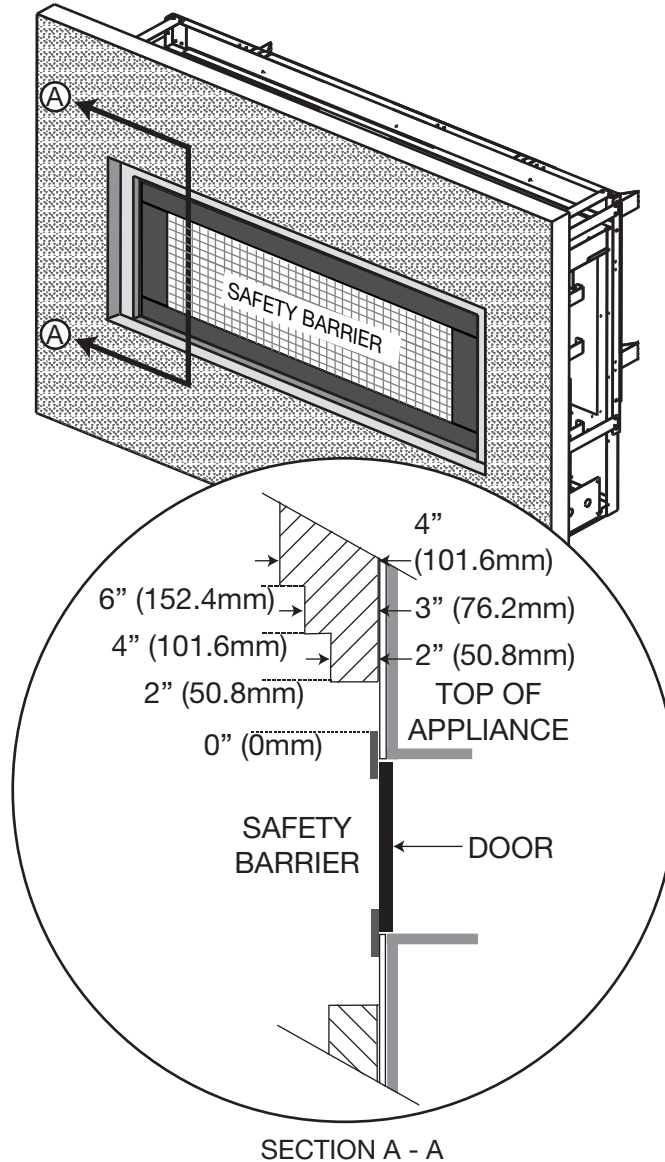
IMPORTANT: Once latches are engaged, test to make sure that the door is secure and will not fall forward.

6.3 BURNER INSTALLATION

See separate instructions accompanying burner assembly (sold separately).

6.4 NON-COMBUSTIBLE FACING MATERIAL

WARNING: The appliance opening may be recessed in non-combustible facing material provided it does not project more than 2" (50.8mm) past the face of the appliance. If greater projections are desired, increase the clearance to the sides and top by 2" (50.8mm) for every additional 1" (25.4mm) of projection. If using an optional surround, then 2" (50.8mm) clearance from the surround is required before projecting out a maximum 2" (50.8mm). If greater projections are desired, increase the clearance from the surround by 2" (50.8mm) for every 1" (25.4mm) of additional projection.



7.0 ELECTRICAL INFORMATION

WARNING

DO NOT USE THIS APPLIANCE IF ANY PART HAS BEEN UNDER WATER. CALL A QUALIFIED SERVICE TECHNICIAN IMMEDIATELY TO HAVE THE APPLIANCE INSPECTED FOR DAMAGE TO THE ELECTRICAL CIRCUIT.

RISK OF ELECTRICAL SHOCK OR EXPLOSION. DO NOT WIRE 110V TO THE VALVE OR TO THE APPLIANCE WALL SWITCH. INCORRECT WIRING WILL DAMAGE CONTROLS.

ALL WIRING SHOULD BE DONE BY A QUALIFIED ELECTRICIAN AND SHALL BE IN COMPLIANCE WITH LOCAL CODES. IN THE ABSENCE OF LOCAL CODES, USE THE CURRENT CSA22.1 CANADIAN ELECTRIC CODE IN CANADA OR THE CURRENT NATIONAL ELECTRIC CODE ANSI/NFPA NO. 70 IN THE UNITED STATES.

ALWAYS LIGHT THE PILOT WHETHER FOR THE FIRST TIME OR IF THE GAS SUPPLY HAS RUN OUT, WITH THE GLASS DOOR OPENED OR REMOVED.

69.2_2

If access to the control area is necessary AFTER INSTALLATION, remove the access panel or electrical box cover located inside the firebox. The access panel and gasket must be re-installed before operating the appliance.

7.1 HARD WIRING CONNECTION

It is necessary to hard wire this appliance.

Permanently framing the appliance with an enclosure, requires the appliance junction box to be hard wired.

7.2 OPTIONAL BLOWER INSTALLATION

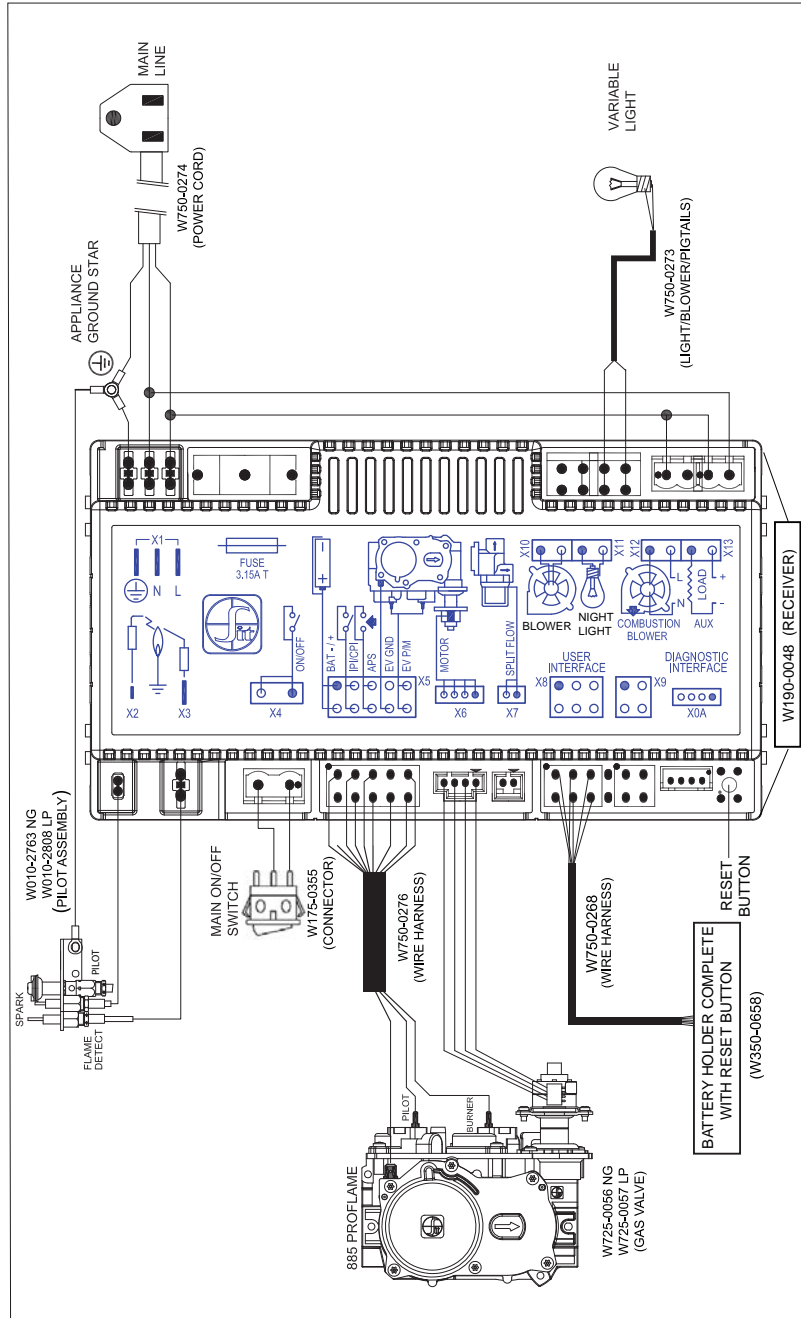
See separate instructions accompanying the blower assembly.

7.3 WIRING DIAGRAM

! WARNING

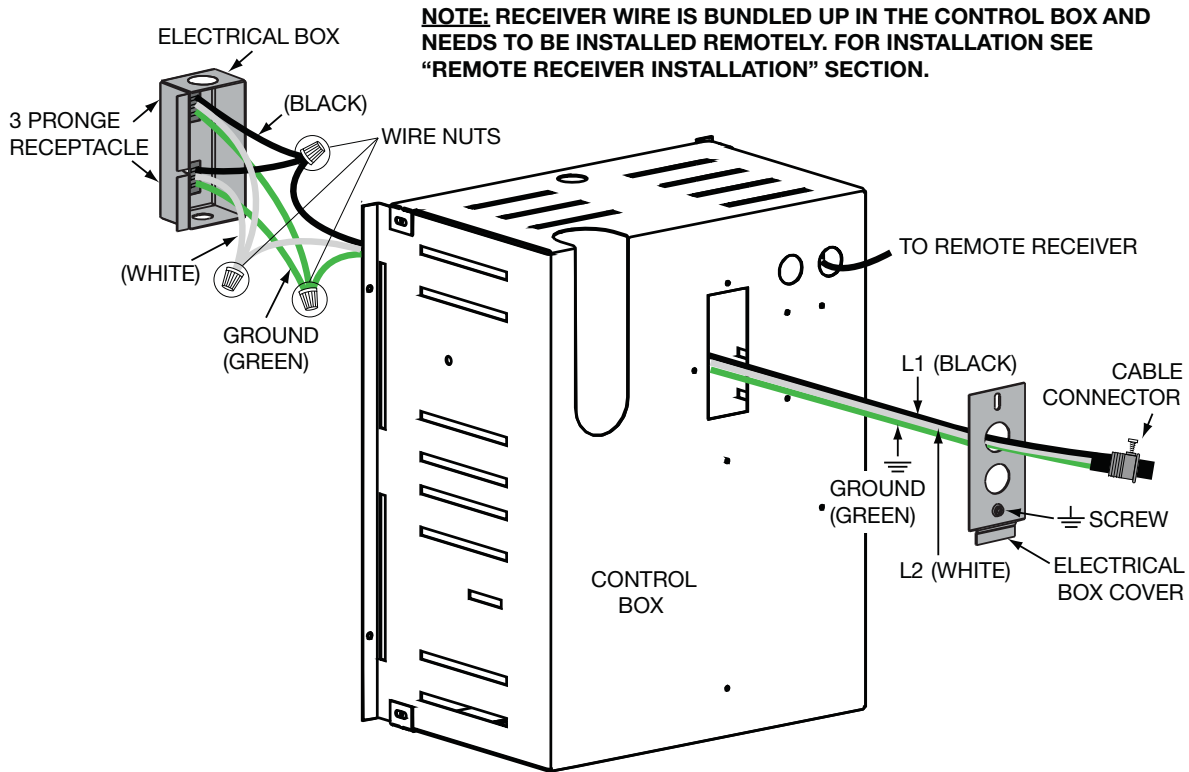
DO NOT WIRE 110 VOLTS TO THE VALVE OR WALL SWITCH.

EN



NOTE: This appliance is equipped with a three-prong (grounding) plug for protection against shock hazard and should be connected into a properly grounded circuit. Do not cut or remove the grounding prong from the plug.

7.4 RECEPTACLE WIRING DIAGRAM

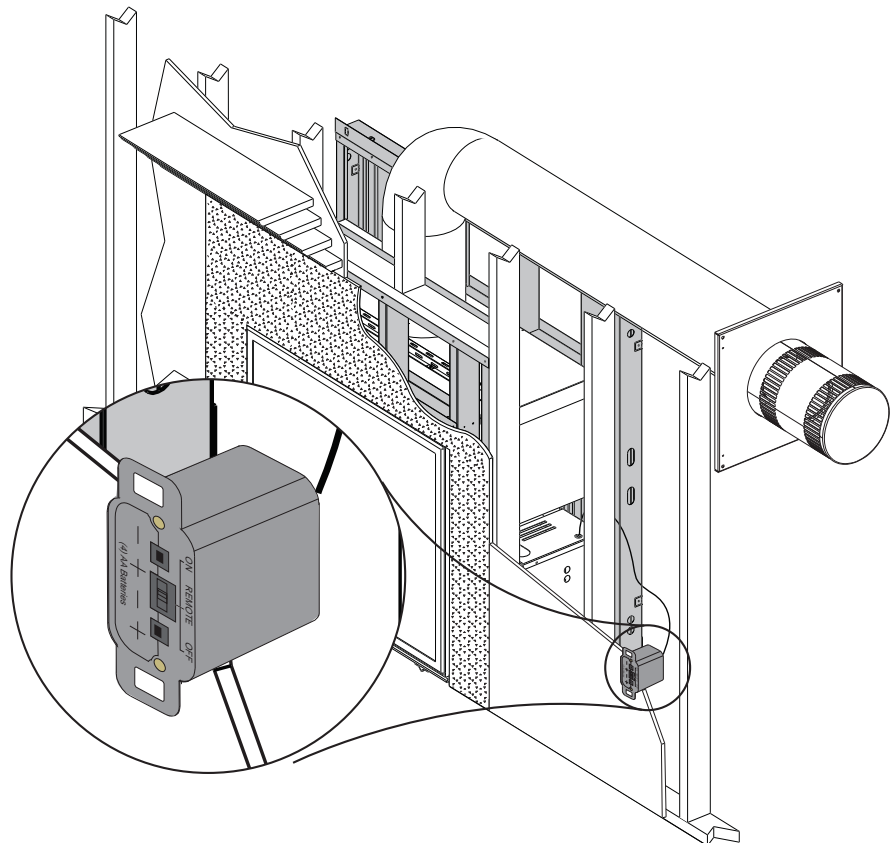


7.5 REMOTE RECEIVER INSTALLATION

Receiver must be located within 8 feet (2.4m) of this side of the appliance and must be accessible for programming the remote.

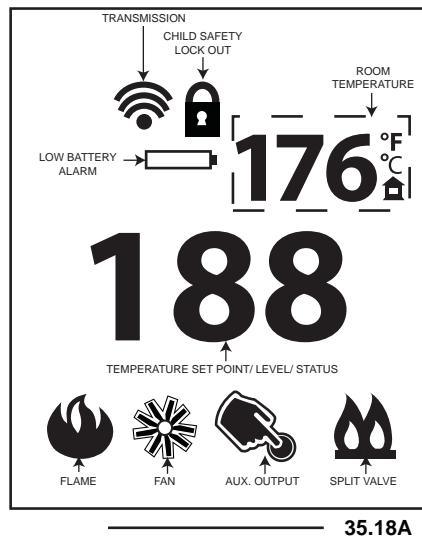
Install the receiver into a standard electrical switch box. Determine an appropriate location and install the electrical box.

NOTE: Ensure the three position slider switch is in the "REMOTE" position (middle).



8.0 OPERATION

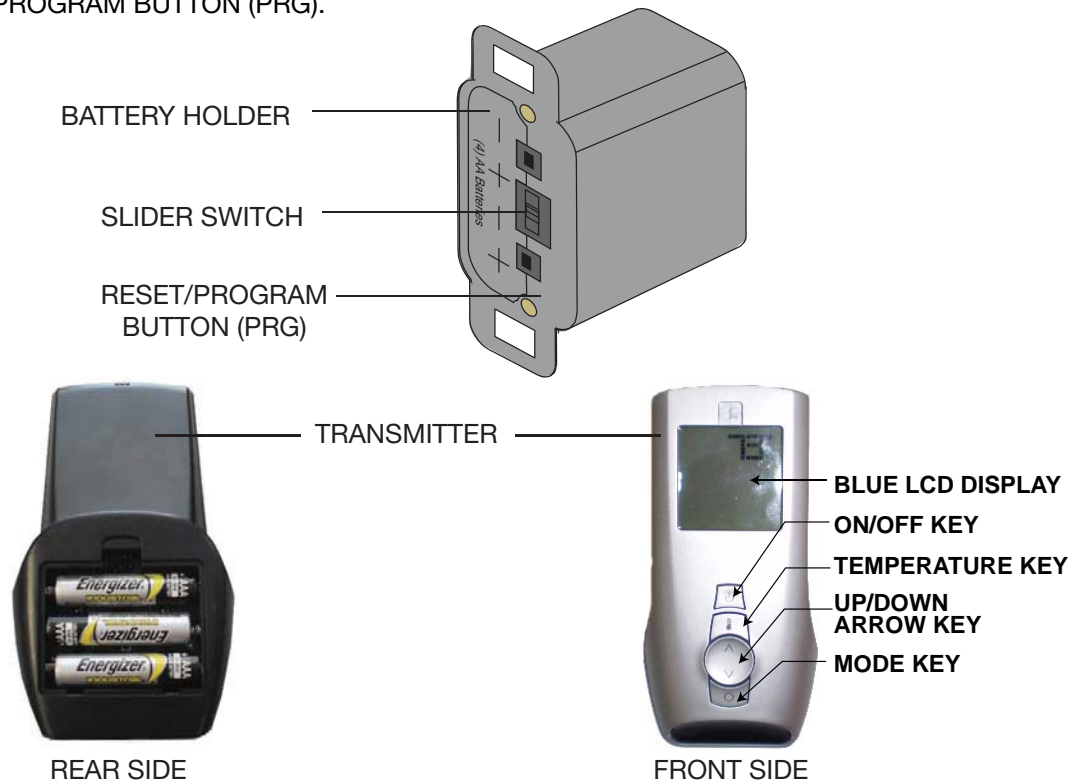
8.1 GENERAL TRANSMITTER LAYOUT



8.2 INITIALIZING THE TRANSMITTER/BATTERY HOLDER FOR THE FIRST TIME

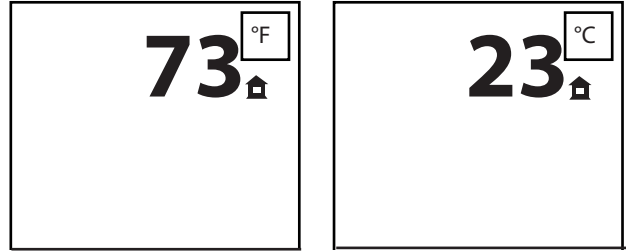
- Install the 4 AA batteries into the Proflame 2 battery holder, note the polarity of the batteries and insert as indicated on the cover (+/-).
- Ensure the 3 position slider switch is switched to the "REMOTE" position (middle position).
- Press the reset/programming button, use a small object such as a paper clip in order to reach the button marked PRG, as shown in the illustration below.
- The battery holder will beep 3 times to indicate that it's ready to synchronize with the transmitter.
- Install the 3 AAA batteries into the transmitter, as shown in the photograph below, then press the ON button, The battery holder will beep 4 times to indicate that the transmitter's command is accepted.

NOTE: THE INITIALIZING PROCESS MUST BE COMPLETED WITHIN 10 SECONDS OF PRESSING THE RESET/PROGRAM BUTTON (PRG).



8.3 TEMPERATURE DISPLAY

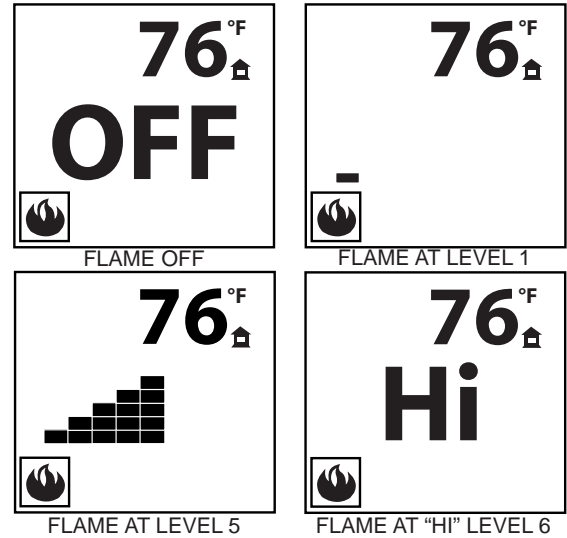
- A. With the system in the “OFF” position, press the Temperature Key and the Mode Key at the same time to change from degrees F to C.
- B. Look at the LCD screen on the Transmitter to verify that a C or F is visible to the right of the Room Temperature display.



35.5A

8.4 FLAME HEIGHT

The remote control has six (6) flame levels. With the system on and the flame level at the maximum, press the Down Arrow Key once and it will reduce the flame height by one step until the flame is turned off. The Up Arrow Key will increase the flame height each time it is pressed. If the Up Arrow Key is pressed while the system is on but the flame is off, the flame will come on the high position. A single “beep” will confirm reception of the command.

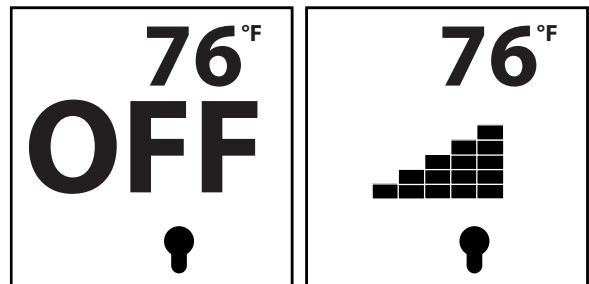


35.8A

8.5 NIGHT LIGHT DIMMER CONTROL

The auxiliary function controls the Night Light™ with dimmable control.

- A. Use the Mode Key to guide you to the Night Light icon.
- B. The intensity of the output can be adjusted through 6 levels. Use the UP/DOWN arrow keys to adjust the output level. A single beep will confirm reception of the command.

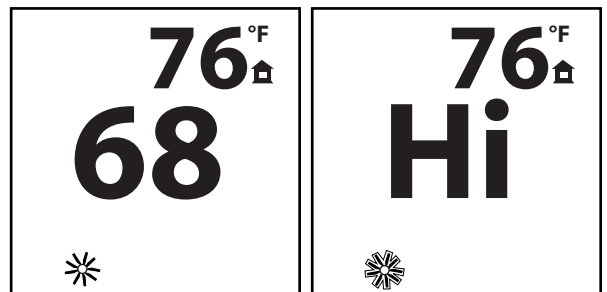


35.21

8.6 FAN SPEED

If the appliance is equipped with a hot air circulating fan, the speed of the fan can be controlled by the remote system. The fan speed can be adjusted through six speeds.

- A. Use the Mode key to guide you to the fan control icon.
- B. Use the Up/Down Arrow keys to turn ON/OFF or adjust the fan speed. A single “beep” will confirm reception of the command.

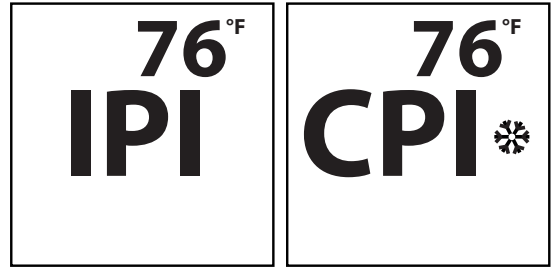


NOTE: When the desired blower speed is selected, the blower will automatically come on 5 minutes after the main burner has been turned on and remain on twelve minutes after it has been turned off.

35.9B

8.7 CONTINUOUS PILOT / INTERMITTENT PILOT (CPI / IPI) SELECTION

- A. Use the Mode Key to guide you to the CPI mode icon. Transmitter in the OFF position.
- B. Press the UP/DOWN to switch between IPI and CPI modes. A single BEEP will confirm reception of the command.



NOTE: If the system is equipped with a CPI/IPI toggle switch, set the CPI/IPI to CPI position to enable remote CPI operation. If the switch is set to IPI then it will only work in IPI regardless of what is set on the remote control handset.

35.22

8.8 CHILD PROOF FUNCTION / KEY LOCK

This function will lock the keys to avoid unsupervised operation.

- A. Press the MODE and UP keys at the same time.
- B. To de-activate this function, press the MODE and UP keys at the same time.

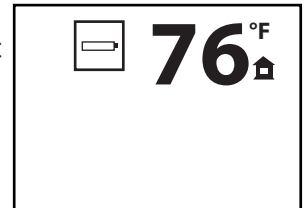


35.10A

8.9 LOW BATTERY / MANUAL BYPASS

The life span of the remote batteries depends on various factors: quality of the batteries, the number of ignitions, the number of changes to the room thermostat set point, etc.

When the transmitter batteries are low, a Battery Icon will appear on the LCD display before all battery power is lost. When the batteries are replaced this icon will disappear.



Not applicable when plugged into 110V.

When the batteries are low, no “beep” will be emitted from the receiver when it receives an ON/OFF command. This is an alert for the receiver that there’s low battery. When the batteries are replaced the “beep” will be emitted from the receiver when the ON/OFF key is pressed.

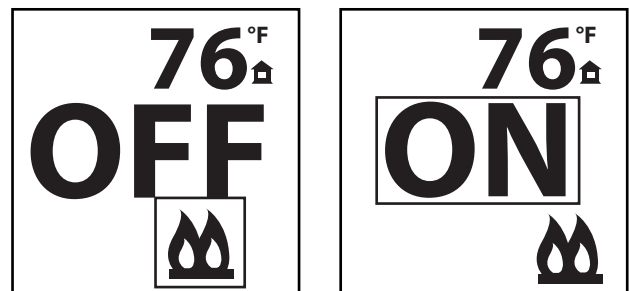
If the batteries in the battery holder or transmitter are low, the appliance can be turned on manually by sliding the three position slider switch on the battery holder to the “ON” position. This will bypass the remote control feature and the appliance main burner will come on. Likewise, if you want to manually turn the appliance off, slide the switch to the ‘OFF’ position.

35.23

8.10 SPLIT FLOW

The split flow function controls the ability to turn ON/OFF a second burner.

- A. Use the mode key to guide you to the split flow function.
- B. Pressing the up arrow key will activate the second burner.
- C. Pressing the down arrow key will deactivate the second burner. A single “beep” will confirm the reception of the command.



NOTE: There is no way to modulate the flame heights separately.

35.17A

9.0 OPERATING INSTRUCTIONS

! WARNING

**IF YOU DO NOT FOLLOW THESE INSTRUCTIONS EXACTLY, A FIRE OR EXPLOSION MAY RESULT CAUSING PROPERTY DAMAGE, PERSONAL INJURY OR LOSS OF LIFE.
NEVER LEAVE CHILDREN OR OTHER AT RISK INDIVIDUALS ALONE WITH THE APPLIANCE.**

ALWAYS LIGHT THE PILOT WHETHER FOR THE FIRST TIME OR IF THE GAS SUPPLY HAS RUN OUT WITH THE GLASS DOOR OPENED OR REMOVED.

Ensure that a continuous gas flow is at the burner before installing the door. When lit for the first time, the appliance will emit an odor for a few hours. This is a normal temporary condition caused by the “burn-in” of paints and lubricants used in the manufacturing process and will not occur again. After extended periods of non-operation such as following a vacation or a warm weather season, the appliance may emit a slight odor for a few hours. This is caused by dust particles in the heat exchanger burning off. In both cases, open a window to sufficiently ventilate the room.



FOR YOUR SAFETY READ BEFORE LIGHTING:

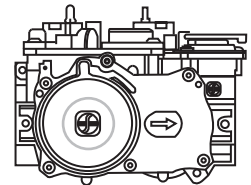
- This appliance is equipped with an ignition device which automatically lights the pilot. Do not try to light by hand.
- Before operating smell all around the appliance area for gas and next to the floor because some gas is heavier than air and will settle on the floor.
- Do not use this appliance if any part has been under water. Immediately call a qualified service technician to inspect the appliance and replace any part of the control system and any gas control which has been under water.

WHAT TO DO IF YOU SMELL GAS:

- Turn off all gas to the appliance.
- Open windows.
- Do not try to light any appliance.
- Do not touch any electric switch; do not use any phone in your building.
- Immediately call your gas supplier from a neighbor's phone. Follow the gas supplier's instructions.
- If you cannot reach your gas supplier, call the fire department.

LIGHTING INSTRUCTIONS

- Stop! Read the above safety information on this label.
- Remove batteries from transmitter.
- Turn off all electric power to the appliance.
- This appliance is equipped with an ignition device which automatically lights the pilot. Do not try to light the pilot by hand.
- Open the glass door.
- Turn manual shutoff valve clockwise  to off. Located behind the access panel.
- Wait five (5) minutes to clear out any gas. If you smell gas including near the floor, **STOP!** Follow “B” in the above safety information on this label. If you don't smell gas go to the next step.
- Turn manual shutoff valve counter-clockwise  to on.
- Close the glass door.
- Turn on all electric power to the appliance and re-install batteries into the transmitter.
- Push the “ON” button on the transmitter. You should here an audible beep from the receiver which indicates communication. (Refer to Appliance Operations for remote activation).



TO TURN OFF GAS

- Turn off all electric power to the appliance if service is to be performed.
- Access door inside the firebox must be removed to access the manual shutoff valve.
- If alternate shut-off valve was installed it can be shutoff instead of going through the appliance to access the appliance shut off valve.

10.0 ADJUSTMENT

10.1 PILOT BURNER ADJUSTMENT

Adjust the pilot screw to provide properly sized flame. Turn in a clockwise direction to reduce the gas flow.

Check Pressure Readings:

Inlet pressure can be checked by turning screw (A) counter-clockwise 2 or 3 turns and then placing pressure gauge tubing over the test point. Gauge should read as described on the chart below. Check pressure with main burner operating on "HI".

Outlet pressure can be checked the same as above using screw (B). Gauge should read as described on the chart below. Check pressure with main burner operating on "HI".

AFTER TAKING PRESSURE READINGS, BE SURE TO TURN SCREWS CLOCKWISE FIRMLY TO RESEAL. DO NOT OVERTORQUE.

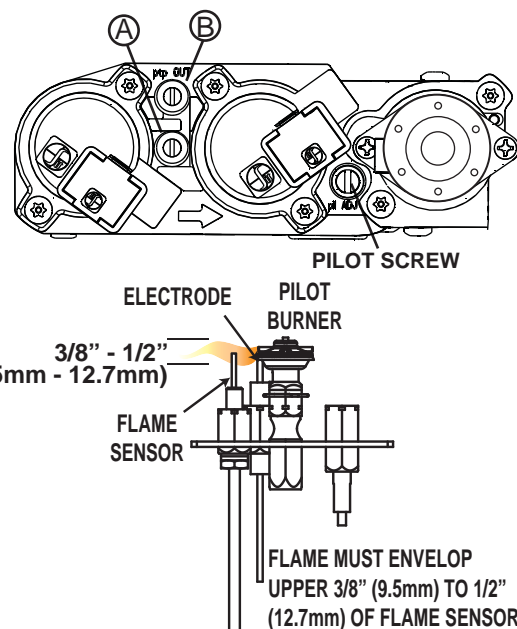
Leak test with a soap and water solution.

Prior to pilot adjustment, ensure that the pilot assembly has not been painted. If overspray or painting of the pilot assembly has occurred remove the paint from the pilot

assembly, or replace. Fine emery cloth or a synthetic scrub pad (such as Scotch-Brite™) can be used to remove the paint from the pilot hood, electrode and flame sensor.

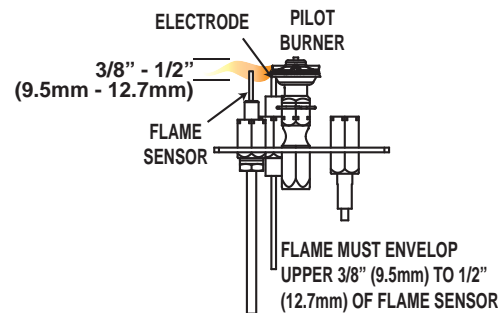
Pressure	Natural Gas (inches)	Natural Gas (millibars)	Propane (inches)	Propane (millibars)
Inlet	*7" (MIN. 4.5")	17.4mb (MIN. 11.2mb)	13" (MIN. 11")	32.4mb (MIN. 27.4mb)
Outlet	3.5"	8.7mb	10"	24.9mb

*Maximum inlet pressure not to exceed 13".



10.2 FLAME CHARACTERISTICS

It is important to periodically perform a visual check of the pilot and burner flames. Compare them to the illustration provided. If any flames appear abnormal, call a service person.



54.1B

10.3 RESTRICTING VERTICAL VENTS

Vertical installations may display a very active flame. If this appearance is not desirable, the vent exit must be restricted using a restrictor vent kit. Refer to "ACCESSORIES" in the "REPLACEMENTS" section for the appropriate kit. This will reduce the velocity of the exhaust gases, slowing down the flame pattern and creating a more traditional gentle flame appearance. Specific instructions are included with the kit.

77.3

11.0 MAINTENANCE

WARNING

TURN OFF THE GAS AND ELECTRICAL POWER BEFORE SERVICING THE APPLIANCE.

APPLIANCE MAY BE HOT, DO NOT SERVICE UNTIL APPLIANCE HAS COOLED.

DO NOT USE ABRASIVE CLEANERS.

DO NOT PAINT THE PILOT ASSEMBLY.

This appliance and its venting system should be inspected before use and at least annually by a qualified service person. The following suggested checks should be performed by a qualified technician. The appliance area must be kept clear and free of combustible materials, gasoline or other flammable vapors and liquids. The flow of combustion and ventilation air must not be obstructed.

CAUTION: Label all wires prior to disconnection when servicing controls. Wiring errors can cause improper and dangerous operation. Verify proper operation after servicing.

- A.** In order to properly clean the burner and pilot assembly, remove the logs, rocks and/or glass to expose both assemblies.
- B.** Keep the control compartment, media, burner, air shutter opening and the area surrounding the logs clean by vacuuming or brushing, at least once a year.
- C.** Check to see that all burner ports are burning. Clean out any of the ports which may not be burning or are not burning properly.
- D.** Check to see that the pilot flame is large enough to engulf the flame sensor and/or thermocouple / thermopile as well as reaches the burner.
- E.** Replace the cleaned logs, rocks or glass. Failure to properly position the media may cause carbon which can be distributed inside of firebox and on exterior surfaces surrounding vent termination.
- F.** Check to see that the main burner ignites completely on all openings when turned on. A 5 to 10 second total light-up period is satisfactory. Service as required.
- G.** Check that the gasketing on the sides, top and bottom of the door is not broken or missing. Replace if necessary.
- H.** If for any reason the vent air intake system is disassembled, re-install and re-seal per the instructions provided for the initial installation.
- I.** Cleaning the safety barrier may be necessary due to excessive lint / dust from carpeting, pets, etc. simply vacuum using the brush attachment.
- J.** Ensure the relief system performs effectively. Check that the gasket is not worn or damaged. Replace if necessary.

40.1E

11.1 ANNUAL MAINTENANCE

! WARNING

THE FIREBOX BECOMES VERY HOT DURING OPERATION. LET THE APPLIANCE COOL COMPLETELY OR WEAR HEAT RESISTANT GLOVES BEFORE CONDUCTING SERVICE.

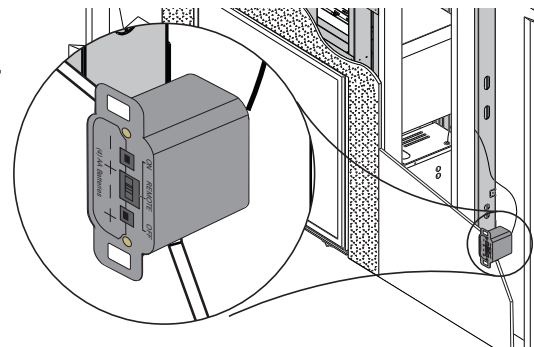
NEVER VACUUM HOT EMBERS.

DO NOT PAINT THE PILOT ASSEMBLY.

- This appliance will require maintenance which should be planned on an annual basis.
- Service should include cleaning, battery replacement, venting inspection and inspection of the burner, media and firebox. Refer to the door removal section and remove the door as instructed.
- Carefully remove media if necessary (logs, glass, brick panels etc).
- Using a vacuum with a soft brush attachment, gently remove any dirt, debris or carbon build up from the logs, firebox and burner. For glass media, follow the installation instructions for pre-cleaning.
- Also gently remove any build-up on the pilot assembly including, if equipped; thermopile, thermocouple, flame sensor and igniter. **NOTE: Clean flame sensor using a fine emery cloth or a synthetic scrub pad (such as Scotch-Brite™) to remove any oxides. Clean the pilot assembly using a vacuum with a soft brush attachment. It is important that the pilot assembly is not painted.**
- Inspect all accessible gaskets and replace as required.
- Access the blower, if equipped and clean using a soft brush and vacuum.
- Re-assemble the various components in reverse order.
- Inspect the relief system. The appliance relieves through the main glass door or through the flaps on the firebox top. Ensure they open freely, and close sealed.
- Check the gas control valve pilot and Hi / Lo knobs move freely (if equipped) – replace if any stiffness in movement is experienced.
- Check for gas leaks on all gas connections up and downstream from the gas valve including the pilot tube connections.

37.1E

NOTE: To install batteries in the case of a power outage you must access the battery back-up. Remove the receiver cover plate and install the 4 “AA” batteries. Ensure the 3 position slider switch is in the “REMOTE” position (middle).

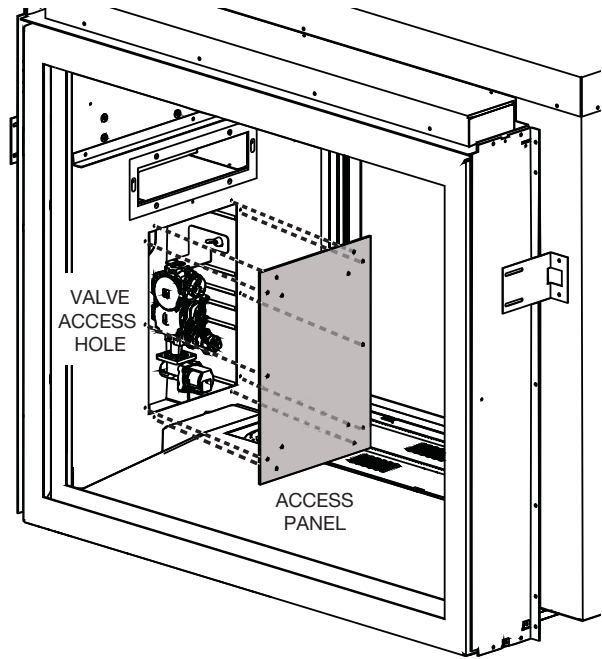


11.2 CONTROL ACCESS

11.2.1 INNER ACCESS PANEL

NOTE: A new gasket will be required, when re-installing the access panel (see “HD81-1 OVERVIEW” in the “REPLACEMENTS” section).

Remove one of the main doors, see “DOOR REMOVAL / INSTALLATION” section. Remove either the optional brick or porcelain panel from the side where the control box is located. Remove the eight screws from the access panel.



11.3 VALVE REMOVAL

The valve on this appliance is piped with three flex connectors (one inlet, two outlets). It can be removed and pulled forward for service.

- A. Remove the optional panels.
- B. Remove the air manifold, refer to Figure 1.
- C. Remove inner access panel, see “INNER ACCESS PANEL” section.
- D. Remove the wing nut and pivot the valve out from the slot at the bottom of the valve, refer to Figure 2.
- E. Slowly pull the valve through the control door being careful not to kink the gas lines or wires. Disconnect flex connectors.
- F. Replace all components before returning the appliance to service.
- G. Check for gas leaks by brushing on a soap and water solution.

FIGURE 1

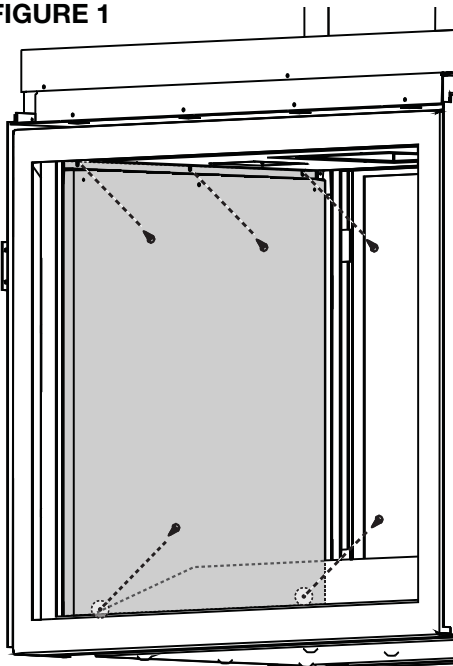
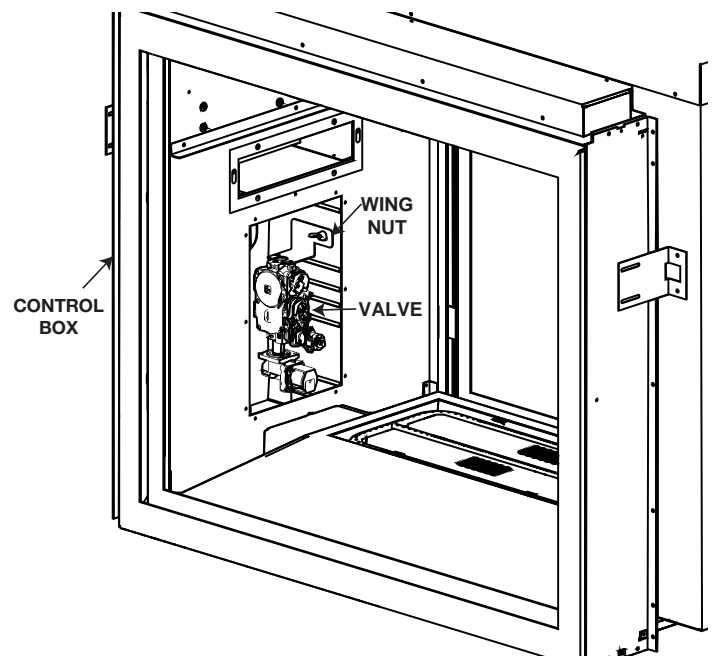


FIGURE 2

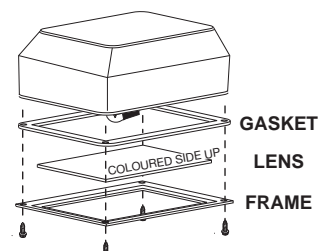


11.4 NIGHT LIGHT™

This appliance comes equipped with two “Night Lights™”. The lights have been pre-wired and are controlled from the remote control.

If in the event the lamps or lens need replacing, follow the instructions below:

- A. Shut off breaker at main power supply
- B. Remove the four screws that secure the lens frame to the firebox sides. This frame retains the glass lens.
- C. The lamp can now be accessed.

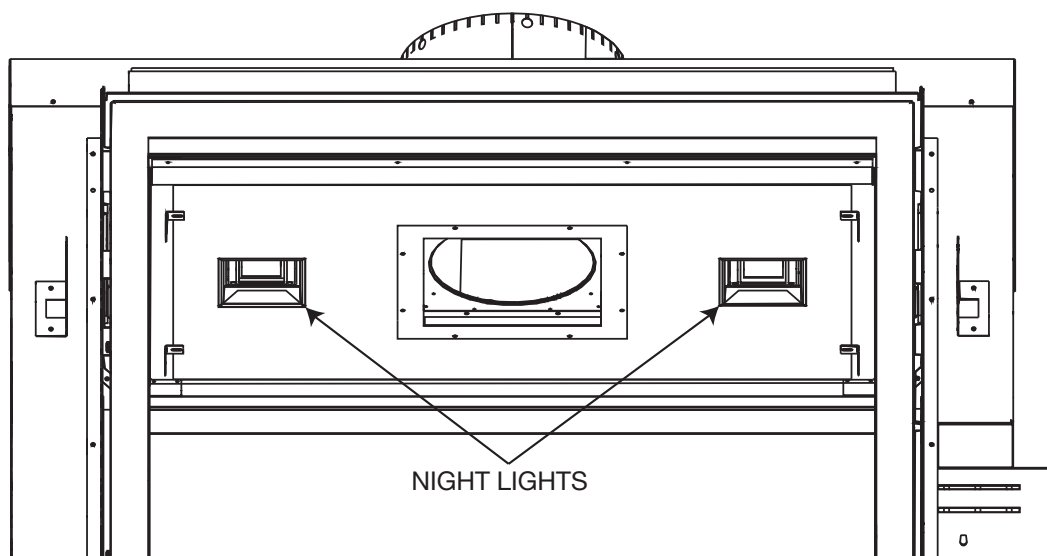


NOTE: Do not handle the lamp (bulb) with bare fingers, protect with a clean dry cloth.

The lamp will pull straight out of the socket. Replace with Wolf Steel parts only, as lamp and lens are special “high temperature” products. When re-installing, ensure integrity of gasket seal.

THE FIREBOX MUST BE SEALED.

Over tightening the screws could break the lens. “Light Leakage” from the holes in the housing lamp may be observed. The holes in the lamp housing are necessary for ventilation and must not be covered.



11.5 GLASS / DOOR REPLACEMENT

! WARNING

DO NOT USE SUBSTITUTE MATERIALS.

GLASS MAY BE HOT, DO NOT TOUCH GLASS UNTIL COOLED.

CARE MUST BE TAKEN WHEN REMOVING AND DISPOSING OF ANY BROKEN DOOR GLASS OR DAMAGED COMPONENTS. BE SURE TO VACUUM UP ANY BROKEN GLASS FROM INSIDE THE APPLIANCE BEFORE OPERATION.

DO NOT STRIKE, SLAM OR SCRATCH GLASS. DO NOT OPERATE APPLIANCE WITH GLASS REMOVED, CRACKED, BROKEN OR SCRATCHED.

Replacement glass/frame assembly shall be replaced as a complete unit as supplied by the appliance manufacturer.

56.1C

11.6 CARE OF GLASS

DO NOT CLEAN GLASS WHEN HOT! DO NOT USE ABRASIVE CLEANERS TO CLEAN GLASS.

Buff lightly with a clean dry soft cloth. Clean both sides of the glass after the first 10 hours of operation with a recommended fireplace glass cleaner. Do not use an ammonia-based fireplace glass cleaner. Thereafter clean as required. If the glass is not kept clean permanent discoloration and / or blemishes may result.



5.1A

This appliance is factory equipped with 5mm ceramic glass. Use only replacement parts as supplied by the appliance manufacturer. **DO NOT SUBSTITUTE MATERIALS.**

5.5.1A

11.7 CARE OF PLATED PARTS

If the appliance is equipped with plated parts, you must clean fingerprints or other marks from the plated surfaces before operating the appliance for the first time. Use a glass cleaner or vinegar and towel to clean. If not cleaned properly before operating for the first time, the marks can cause permanent blemishes on the plating. After the plating is cured, the fingerprints and oils will not affect the finish and little maintenance is required, just wipe clean as needed. Prolonged high temperature burning with the door ajar may cause discoloration on plated parts.

NOTE: The protective wrap on plated parts is best removed when the assembly is at room temperature but this can be improved if the assembly is warmed, using a hair dryer or similar heat source.

6.1

12.0 REPLACEMENTS



Contact your dealer for questions concerning prices and policies on replacement parts. Normally, all parts can be ordered through your Authorized dealer / distributor.

FOR WARRANTY REPLACEMENT PARTS, A PHOTOCOPY OF THE ORIGINAL INVOICE WILL BE REQUIRED TO HONOUR THE CLAIM.

When ordering replacement parts always give the following information:

- Model & Serial Number of appliance
- Installation date of appliance
- Part number
- Description of part
- Finish

PARTS, PART NUMBERS AND AVAILABILITY ARE SUBJECT TO CHANGE WITHOUT NOTICE.

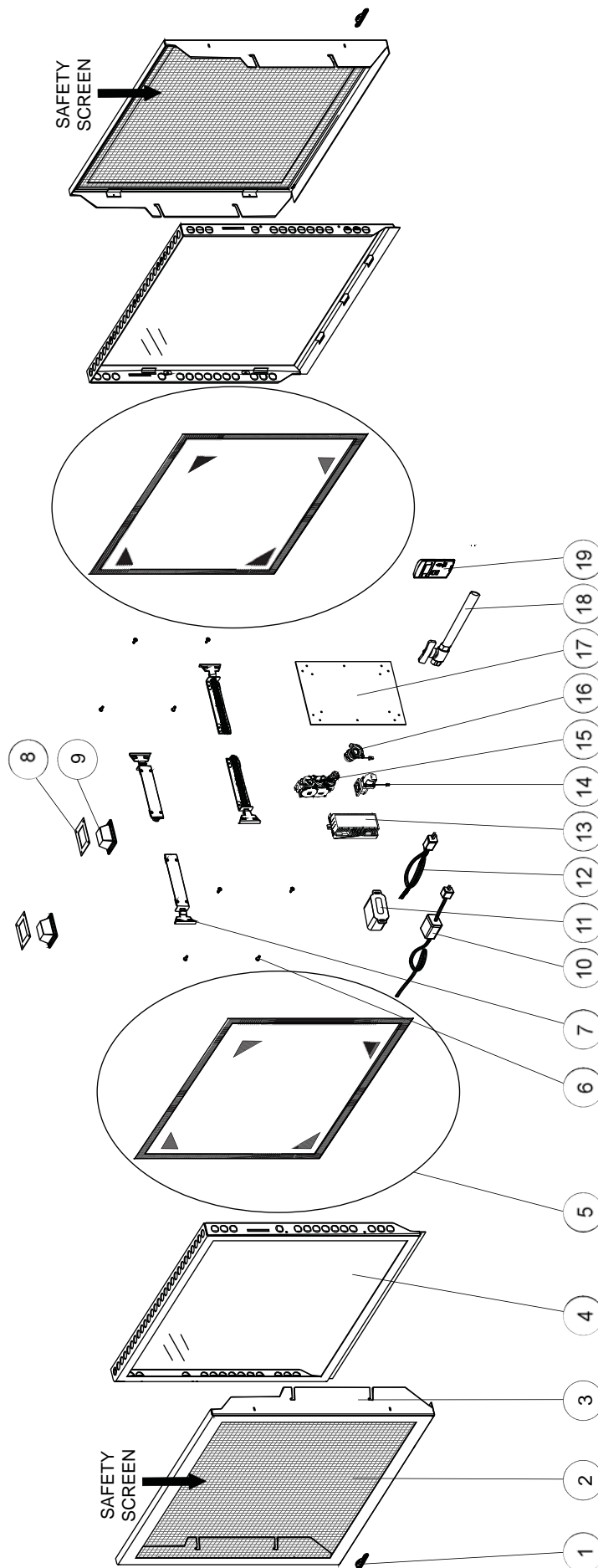
PARTS IDENTIFIED AS STOCKED WILL BE DELIVERED WITHIN 2 TO 5 BUSINESS DAYS FOR MOST DELIVERY DESTINATIONS.

PARTS NOT IDENTIFIED AS STOCKED WILL BE DELIVERED WITHIN A 2 TO 4 WEEK PERIOD, FOR MOST CASES.

PARTS IDENTIFIED AS 'SO' ARE SPECIAL ORDER AND CAN TAKE UP TO 90 DAYS FOR DELIVERY.

41.1C

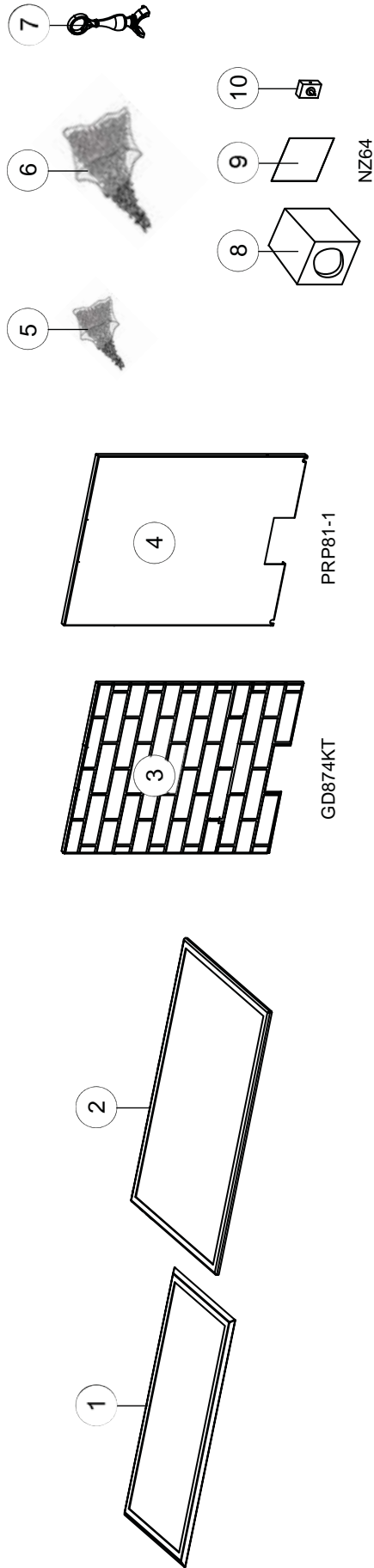
13.0 HD81-1 OVERVIEW



ITEMS MAY NOT APPEAR EXACTLY AS ILLUSTRATED

REF. NO.	PART NUMBER	DESCRIPTION	STOCKED	REF. NO.	PART NUMBER	DESCRIPTION	STOCKED
1	W385-2010	NAPOLEON LOGO	YES	12	W750-0294	POWER CORD	
2	W565-0270-SER	SAFETY SCREEN	YES	13	W190-0105	CONTROL MODULE	YES
3	W010-3841-SER	SAFETY BARRIER ASSEMBLY		14	W725-0058	SPLIT FLOW VALVE	YES
4	W010-2967-SER	DOOR ASSEMBLY		14	W725-0056	VALVE (NG)	YES
5	W562-0060	DOOR GASKET KIT	YES	15	W725-0057	VALVE (P)	YES
6	W065-0034	SHOULDER BOLT	YES	15	W435-0011	MODULATING REGULATOR (NG)	YES
7	W010-4011	DOOR LATCH		16	W435-0010	MODULATING REGULATOR (P)	YES
8	W290-0080	NIGHT LIGHT GASKET	YES	17	W290-0136	CONTROL ACCESS GASKET	YES
9	N402-0001	NIGHT LIGHT ASSEMBLY	YES	18	W175-0217	FLEX CONNECTOR c/w SHUT OFF	YES
10	W707-0019	TRANSFORMER	YES	19	W660-0203	HANDHELD REMOTE CONTROL	YES
11	W350-0655	BATTERY HOUSING	YES				

14.0 ACCESSORIES



ITEMS MAY NOT APPEAR EXACTLY AS ILLUSTRATED

REF. NO.	PART NUMBER	DESCRIPTION	STOCKED	REF. NO.	PART NUMBER	DESCRIPTION	STOCKED
1	GBAT	GLASS BURNER TRIM	YES	6	MKGK	BLACK GLASS EMBERS (5lb. BAG)	YES
2	SBAT	ROCK BURNER TRIM	YES	6	MKGB	BLUE GLASS EMBERS (5lb. BAG)	YES
3	W475-1350-SER	SIDE BRICK PANEL (GD874KT)		6	MKGR	RED GLASS EMBERS (5lb. BAG)	YES
4	W500-0871-SER	SIDE PORCELAIN PANEL (PRP81-1)		6	MKGA	AMBER GLASS EMBERS (5lb. BAG)	YES
5	MEGK	BLACK GLASS EMBERS (1lb. BAG)	YES	6	MKGC	CLEAR GLASS EMBERS (5lb. BAG)	YES
5	MEGB	BLUE GLASS EMBERS (1lb. BAG)	YES	6	MKGT	TOPAZ GLASS EMBERS (5lb. BAG)	YES
5	MEGR	RED GLASS EMBERS (1lb. BAG)	YES	7	W715-0629	ANDIRON (ANIH)	YES
5	MEGA	AMBER GLASS EMBERS (1lb. BAG)	YES	8	W062-0018	BLOWER (NZ64)	YES
5	MEGB	BLUE GLASS EMBERS (1lb. BAG)	YES	9	W290-0092	BLOWER GASKET (NZ64)	YES
5	MEGT	TOPAZ GLASS EMBERS (1lb. BAG)	YES	10	W660-0113	VARIABLE SPEED SWITCH (NZ64)	YES

SYMPTOM	PROBLEM	TEST SOLUTION
Exhaust fumes smelled in room, headaches.	Appliance is spilling.	<ul style="list-style-type: none"> - Check door seal. - Check for exhaust damage. - Check that venting is installed correctly. - Room is in negative pressure; increase fresh air supply.
Pilot will not light. Makes noise with no spark at pilot burner.	Wiring.	<ul style="list-style-type: none"> - Verify the wire for the sensor and the wire for the ignitor are connected to the correct terminals (not reverse) on the module and pilot assembly.
	Loose connection.	<ul style="list-style-type: none"> - Verify no loose connections, electrical shorts in the wiring or ground out to any metal object.
	Igniter Spark gap is incorrect.	<ul style="list-style-type: none"> - Spark gap of the ignitor to the pilot should be .125" (3.2mm).
Pilot will not light. Makes no noise with no spark at pilot burner. Crystalites™ and (optional) blower operates.	A shorted or loose connection.	<ul style="list-style-type: none"> - Remove and reinstall the wiring harness that plugs into the module. - Remove and verify continuity of each wire in the wiring harness.
	Module is not grounded.	<ul style="list-style-type: none"> - Verify the valve and pilot assemblies are properly grounded to the metal chassis of the fireplace.
	DFC board has been locked out.	<p>Choose one of the 4 methods below to reset the system.</p> <ol style="list-style-type: none"> 1. To reset DFC board when locked out. Turn off power supply and remove batteries (if used) from the back up battery pack. 2. To reset the DFC Board when the board goes into a lock out condition and the LED is blinking 3 times using the transmitter ON/OFF button: <ul style="list-style-type: none"> Step 1: Turn the system off by pressing the ON/OFF button to turn the system off. Step 2: After approximately 2 seconds press the ON/OFF button on the transmitter again. THE DFC Board will reset and the ignition sequence will start again. 3. To reset the DFC Board when the board goes into a lock out condition and the LED is blinking 3 times by cycling flame: <ul style="list-style-type: none"> Step 1: In the manual flame control mode, use the down arrow button to reduce the flame to off, indicated by the word OFF displayed on the transmitter LCD screen. Step 2: Wait approximately 2 seconds and press the up arrow button, the ignition sequence will start.

NOTE: Starting from OFF, press the ON button on the transmitter. Approximately 4 seconds after the ON/OFF button is pressed the DFC board will start the spark. The first try for ignition will last approximately 60 seconds. If there is no flame ignition (rectification) the board will stop sparking for approximately 35 seconds. After the wait time the board will start the second try for ignition by sparking for approximately 60 seconds. If there is still no positive ignition, the board will go into lock out.

SYMPTOM	PROBLEM	TEST SOLUTION
Pilot sparks but will not light.	Gas supply.	<ul style="list-style-type: none"> - Verify that the incoming gas line ball valve is "Open". - Verify that the inlet pressure reading is within acceptable limits, inlet pressures must not exceed 13" W.C. (34.9mb).
	Module is not grounded.	<ul style="list-style-type: none"> - Verify the value and pilot assemblies are properly grounded to the metal chassis of the fireplace.
	Out of propane gas.	<ul style="list-style-type: none"> - Fill the tank.
Continues to spark and pilot lights, but main burner will not light.	Short or loose connection in sensor rod.	Verify all connections. Verify the connections from the pilot assembly are tight; also verify these connections are not grounding out to any metal.
	Poor flame rectification or contaminated sensor rod.	<ul style="list-style-type: none"> - Verify the flame is engulfing the sensor rod. This will increase the flame rectification. Verify correct pilot orifice is installed and inlet gas specifications to manual. (Remember, the flame carries the rectification current, not the gas. If the flame lifts from pilot hood, the circuit is broken. A wrong orifice or too high of an inlet pressure can cause the pilot flame to lift.) The sensor rod may need cleaning.
	Poor grounding between pilot assembly and gas valve.	<ul style="list-style-type: none"> - Verify that the wire harness is firmly connected to module.
	Damaged pilot or dirty sensor rod.	<ul style="list-style-type: none"> - Verify that the ceramic insulator around the sensor rod is not cracked, damaged, or loose. Verify the connection from the sensor rod to the sensor wire. Clean sensor rod with a green Scotch-Brite pad to remove any contamination that may have accumulated on the sensor rod. Verify continuity with multimeter with ohms set at the lowest range.
	Pilot has been painted	<ul style="list-style-type: none"> - Using a scrub pad, remove the paint from the pilot hood, ignitor and flame sensor.
Appliance won't perform any functions.	Receiver switch is in the wrong position.	<ul style="list-style-type: none"> - Verify that the 3 position switch on the receiver is in the "REMOTE" position (middle).
	No power to the system.	<ul style="list-style-type: none"> - Check breaker to verify it's in the "ON" position.
	Transmitter isn't operational.	<ul style="list-style-type: none"> - Check battery power and battery orientation.
Night light or (optional) blower won't function	Control module switch is in the wrong position.	<ul style="list-style-type: none"> - Verify ON/OFF switch is in the "I" position which denotes on.
	COM switch is unplugged.	<ul style="list-style-type: none"> - Verify "COM" switch is plugged into the front of the control module.

16.0 WARRANTY

NAPOLEON products are manufactured under the strict Standard of the world recognized ISO 9001 : 2008 Quality Assurance Certificate.

NAPOLEON products are designed with superior components and materials assembled by trained craftsmen who take great pride in their work. The burner and valve assembly are leak and test-fired at a quality test station. The complete appliance is again thoroughly inspected by a qualified technician before packaging to ensure that you, the customer, receives the quality product that you expect from NAPOLEON.

NAPOLEON GAS APPLIANCE PRESIDENT'S LIFETIME LIMITED WARRANTY

The following materials and workmanship in your new NAPOLEON gas appliance are warranted against defects for as long as you own the appliance. This covers: combustion chamber, heat exchanger, stainless steel burner, Phazer™ logs and embers, rocks, ceramic glass (thermal breakage only), gold plated parts against tarnishing, porcelainized enameled components and aluminum extrusion trims.*

Electrical (110V and millivolt) components and wearable parts are covered and NAPOLEON will provide replacement parts free of charge during the first year of the limited warranty. This covers: blowers, gas valves, thermal switches, switches, wiring, remote controls, ignitors, gaskets and pilot assemblies.*

Labour related to warranty repair is covered free of charge during the first year. Repair work, however, requires the prior approval of an authorized company official. Labour costs to the account of NAPOLEON are based on a predetermined rate schedule and any repair work must be done through an authorized NAPOLEON dealer.

* Construction of models vary. Warranty applies only to components included with your specific appliance.

CONDITIONS AND LIMITATIONS

NAPOLEON warrants its products against manufacturing defects to the original purchaser only. Registering your warranty is not necessary. Simply provide your proof of purchase along with the model and serial number to make a warranty claim. NAPOLEON reserves the right to have its representative inspect any product or part thereof prior to honouring any warranty claim. Provided that the purchase was made through an authorized NAPOLEON dealer your appliance is subject to the following conditions and limitations:

Warranty coverage begins on the date of original installation.

This factory warranty is non-transferable and may not be extended whatsoever by any of our representatives.

The gas appliance must be installed by a licensed, authorized service technician or contractor. Installation must be done in accordance with the installation instructions included with the product and all local and national building and fire codes.

This limited warranty does not cover damages caused by misuse, lack of maintenance, accident, alterations, abuse or neglect and parts installed from other manufacturers will nullify this warranty.

This limited warranty further does not cover any scratches, dents, corrosion or discoloring caused by excessive heat, abrasive and chemical cleaners nor chipping on porcelain enamel parts, mechanical breakage of PHAZER™ logs and embers.

This warranty extends to the repair or replacement of warranted parts which are defective in material or workmanship provided that the product has been operated in accordance with the operation instructions and under normal conditions.

After the first year, with respect to this President's Lifetime Limited Warranty, NAPOLEON may, at its discretion, fully discharge all obligations with respect to this warranty by refunding to the original warranted purchaser the wholesale price of any warranted but defective part(s).

NAPOLEON will not be responsible for installation, labour or any other expenses related to the reinstallation of a warranted part and such expenses are not covered by this warranty.

Notwithstanding any provisions contained in the President's Lifetime Limited Warranty, NAPOLEON'S responsibility under this warranty is defined as above and it shall not in any event extend to any incidental, consequential or indirect damages.

This warranty defines the obligations and liability of NAPOLEON with respect to the NAPOLEON gas appliance and any other warranties expressed or implied with respect to this product, its components or accessories are excluded.

NAPOLEON neither assumes, nor authorizes any third party to assume, on its behalf, any other liabilities with respect to the sale of this product.

NAPOLEON will not be responsible for: over-firing, downdrafts, spillage caused by environmental conditions such as rooftops, buildings, nearby trees, hills, mountains, inadequate vents or ventilation, excessive venting configurations, insufficient makeup air, or negative air pressures which may or may not be caused by mechanical systems such as exhaust fans, furnaces, clothes dryers, etc.

Any damages to the appliance, combustion chamber, heat exchanger, plated trim or other components due to water, weather damage, long periods of dampness, condensation, damaging chemicals or cleaners will not be the responsibility of NAPOLEON.

All parts replaced under the President's Limited Lifetime Warranty Policy are subject to a single claim.

During the first 10 years NAPOLEON will replace or repair the defective parts covered by the lifetime warranty at our discretion free of charge. From 10 years to life, NAPOLEON will provide replacement parts at 50% of the current retail price.

All parts replaced under the warranty will be covered for a period of 90 days from the date of their installation.

The manufacturer may require that defective parts or products be returned or that digital pictures be provided to support the claim. Returned products are to be shipped prepaid to the manufacturer for investigation. If a product is found to be defective, the manufacturer will repair or replace such defect.

Before shipping your appliance or defective components, your dealer must obtain an authorization number. Any merchandise shipped without authorization will be refused and returned to sender.

Shipping costs are not covered under this warranty.

Additional service fees may apply if you are seeking warranty service from a dealer.

Warranty labour allowance is only for the replacement of the warranted part. Travel, diagnostic tests, shipping and other related charges are not covered by this warranty.

ALL SPECIFICATIONS AND DESIGNS ARE SUBJECT TO CHANGE WITHOUT PRIOR NOTICE DUE TO ON-GOING PRODUCT IMPROVEMENTS. NAPOLEON IS A REGISTERED TRADEMARK OF WOLF STEEL LTD.

2.1D

Other Napoleon Products



Fireplace Inserts • Charcoal Grills • Gas Fireplaces • Waterfalls • Wood Stoves
Heating & Cooling • Electric Fireplaces • Outdoor Fireplaces • Gas Grills



24 Napoleon Road, Barrie, Ontario, Canada L4M 0G8
214 Bayview Drive, Barrie, Ontario, Canada L4N 4Y8
103 Miller Drive, Crittenden, Kentucky, USA 41030
7200 Trans Canada Highway, Montreal, Quebec, Canada H4T 1A3

Fireplaces / Heating & Cooling call: 705-721-1212 • Grills call: 705-726-4278
napoleonproducts.com

**INSTALLATEUR : LAISSEZ CE MANUEL AVEC L'APPAREIL.
 PROPRIÉTAIRE : CONSERVEZ CE MANUEL POUR CONSULTATION ULTÉRIEURE.
 NE LAISSEZ PAS LES ENFANTS OU AUTRES INDIVIDUS À RISQUE SEULS À PROXIMITÉ DE L'APPAREIL.**



INSTRUCTIONS D'INSTALLATION ET D'OPÉRATION

FR

CERTIFIÉ AUX NORMES NATIONALES CANADIENNES ET AMÉRICAINES: CSA 2.22 ET ANSI Z21.50 POUR LES FOYER À GAZ VENTILÉ.

POUR USAGE INTÉRIEUR SEULEMENT

CONSIGNES DE SÉCURITÉ

! AVERTISSEMENT

Si ces instructions ne sont pas suivies à la lettre, un incendie ou une explosion pourraient s'ensuivre, causant des dommages matériels, des blessures corporelles ou des pertes de vie.

- N'entreposez pas et n'utilisez pas d'essence ou autres liquides et vapeurs inflammables à proximité de cet appareil ou tout autre appareil.
- **QUE FAIRE SI VOUS DÉTECTEZ UNE ODEUR DE GAZ :**
 - N'allumez aucun appareil.
 - Ne touchez à aucun interrupteur électrique; n'utilisez aucun téléphone dans votre immeuble.
 - Appelez immédiatement votre fournisseur de gaz d'un téléphone voisin. Suivez ses instructions.
 - Si vous ne pouvez pas rejoindre votre fournisseur de gaz, appelez le service des incendies.
- L'installation et l'entretien doivent être faits par un installateur qualifié, une agence d'entretien ou le fournisseur.

Cet appareil peut être installé dans une maison préfabriquée (mobile) déjà installée à demeure si les règlements locaux le permettent.

Cet appareil doit être utilisé uniquement avec le type de gaz indiqué sur la plaque signalétique. Cet appareil ne peut être converti à d'autres gaz, sauf si une trousse de conversion est utilisée.



ÉCRAN DE PROTECTION

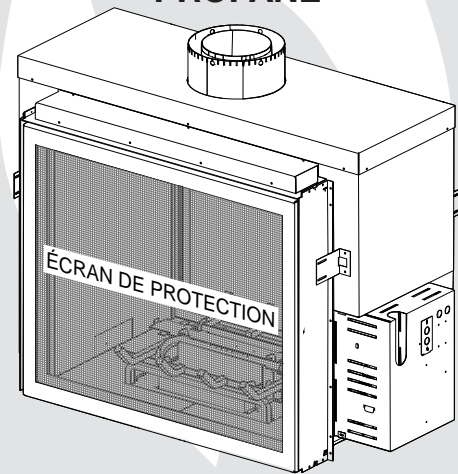


Système de qualité certifié
ISO
9001-2008



HD81NT-1 GAZ NATUREL

HD81PT-1 PROPANE



! AVERTISSEMENT

LA VITRE CHAUDE CAUSERA DES BRÛLURES.



NE PAS TOUCHER LA VITRE AVANT QU'ELLE AIT REFROIDI.

NE JAMAIS LAISSER LES ENFANTS TOUCHER LA VITRE.

Une barrière conçue à réduire le risque de brûlures causées par le verre chaud est fourni avec l'appareil et sera installé pour la protection des enfants et d'autres personnes à risque.

Wolf Steel Ltd., 24 Napoleon Rd., Barrie, ON, L4M 0G8 Canada /
103 Miller Drive, Crittenden, Kentucky, USA, 41030

Téléphone 705-721-1212 • Télécopieur 705-720-9081 • www.napoleonfoyers.com • hearth@napoleonproducts.com

TABLE DES MATIÈRES



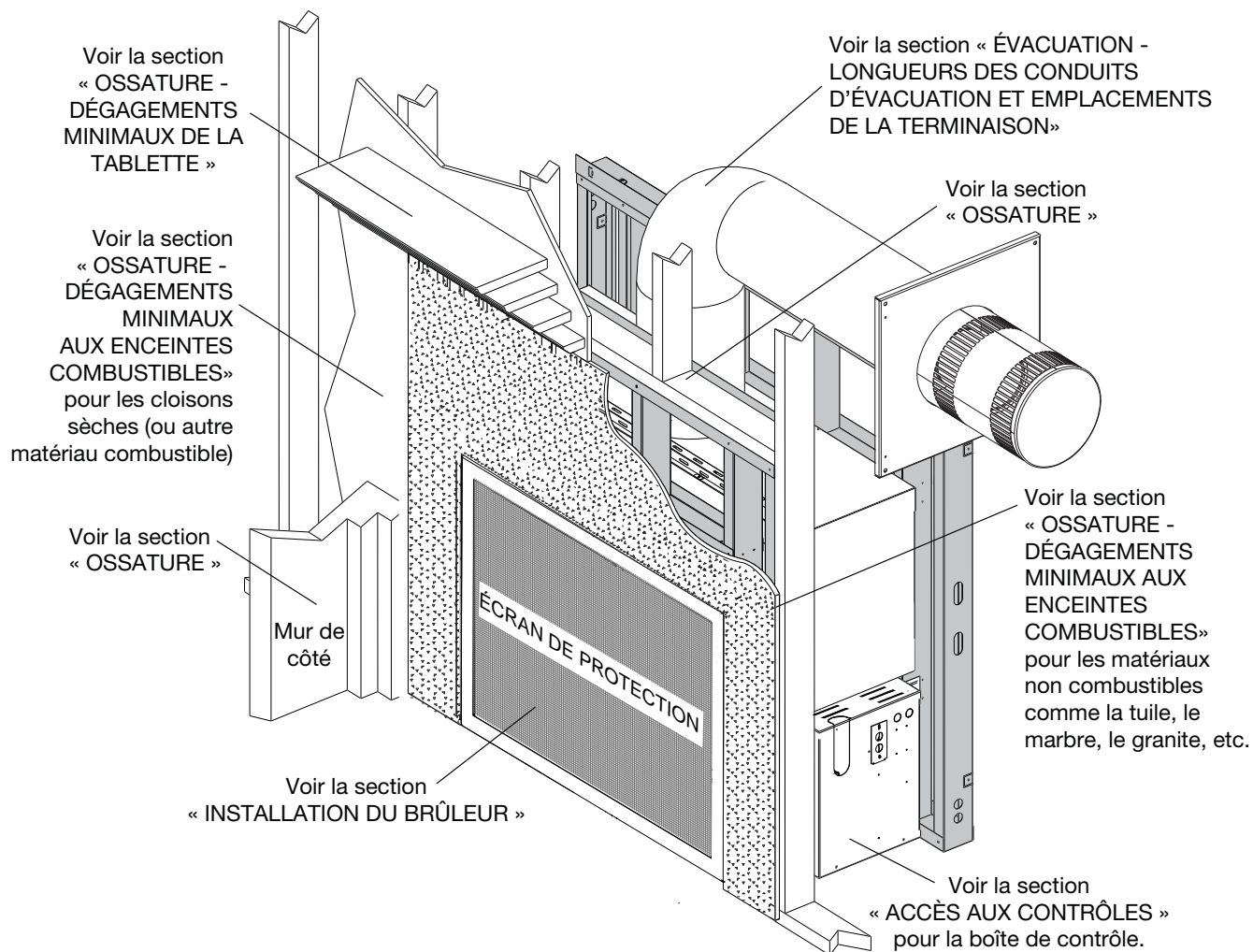
NOTE: L'icône du camera indique que les vidéos sont disponibles comme une référence supplémentaire, visitez <http://mynapoleon.napoleonproducts.com/download/index/44/1>

1.0	VUE D'ENSEMBLE DE L'INSTALLATION	57
2.0	INTRODUCTION	58
2.1	DIMENSIONS	59
2.2	INSTRUCTIONS GÉNÉRALES	60
2.3	INFORMATION GÉNÉRALE	61
2.4	INFORMATION SUR LA PLAQUE D'HOMOLOGATION	62
3.0	ÉVACUATION	63
3.1	LONGUEURS ET COMPOSANTS DES CONDUITS D'ÉVACUATION	63
3.2	INSTALLATION TYPIQUES D'ÉVÉNEMENTS	64
3.3	EMPLACEMENTS ET DÉGAGEMENTS MINIMAUX DE LA TERMINAISON	65
3.4	CHARTRE D'APPLICATION DES ÉVACUATIONS	66
3.5	DÉFINITIONS	66
3.6	VALEURS DU COUDE EN LONGUEURS D'ÉVÉNEMENT	66
3.7	TERMINAISON HORIZONTALE	67
3.8	TERMINAISON VERTICALE	69
4.0	INSTALLATION	71
4.1	PROTECTION DU MUR ET DU PLAFOND	71
4.1.1	INSTALLATION HORIZONTALE	72
4.1.2	INSTALLATION VERTICALE	72
4.2	UTILISATION DE COMPOSANTS FLEXIBLES D'ÉVACUATION	73
4.2.1	INSTALLATION DE LA TERMINAISON HORIZONTALE	73
4.2.2	INSTALLATION DE LA TERMINAISON VERTICALE	74
4.2.3	RACCORDEMENT DES ÉVÉNEMENTS À L'APPAREIL	74
4.3	INSTALLATION DANS UNE MAISON MOBILE	75
4.4	BRANCHEMENT DU GAZ	75
5.0	OSSATURE	76
5.1	DÉGAGEMENTS AUX MATÉRIEAUX COMBUSTIBLES	78
5.2	BASE DE PROTECTION	78
5.3	ENSEMBLE D'OSSATURE AVEC POTEAUX EN ACIER	79
5.3.1	INSIDE FRAME ASSEMBLY	79
5.3.2	FIXATION DES POTEAUX LATÉRAUX (PATTES)	80
5.3.3	FIXATION DE L'OSSATURE ASSEMBLÉE À L'APPAREIL	80
5.3.4	INSTALLATION DES PANNEAUX DE BÉTON LATÉRAUX ET CENTRAUX	81
5.3.5	ENSEMBLE D'OSSATURE EN ACIER, DEUXIÈME CÔTÉ	81
5.4	DÉGAGEMENTS MINIMAUX AUX ENCEINTES COMBUSTIBLES	82
5.5	DÉGAGEMENTS MINIMAUX DE LA TABLETTE	84
6.0	FINITION	85
6.1	INSTALLATION/ENLÈVEMENT DE L'ÉCRAN DE PROTECTION	85
6.2	INSTALLATION/ENLÈVEMENT DE LA PORTE	86
6.3	INSTALLATION DU BRÛLEUR	86
6.4	MATÉRIAU DE FINITION INCOMBUSTIBLE	87
7.0	INFORMATION ÉLECTRIQUE	88
7.1	BRANCHEMENT PAR CÂBLE	88
7.2	INSTALLATION DE LA SOUFFLERIE OPTIONNELLE	88
7.3	SCHÉMA DE CÂBLAGE	89
7.4	SCHÉMA DE CÂBLAGE DU RÉCEPTACLE	90
7.5	INSTALLATION DU RÉCEPTEUR	90
8.0	FONCTIONNEMENT	91
8.1	DESSIN GÉNÉRAL DE LA TÉLÉCOMMANDE	91
8.2	PREMIÈRE INITIALISATION DE LA TÉLÉCOMMANDE/BLOC-PILES	91
8.3	AFFICHEUR DE TEMPÉRATURE	92
8.4	HAUTEUR DE LA FLAMME	92
8.5	VEILLEUSE GRADATEUR	92
8.6	VITESSE DU VENTILATEUR	92
8.7	LA SÉLECTION PILOTE CONTINU/PILOTE INTERMITTENTE (CPI/IPI)	93
8.8	FONCTION DE SÉCURITÉ POUR ENFANTS	93
8.9	FAIBLE PILES/LE BY-PASS MANUEL	93
8.10	DÉBIT DIVISÉ	93
9.0	INSTRUCTIONS DE FONCTIONNEMENT	94
10.0	RÉGLAGES	95
10.1	RÉGLAGE DE LA VEILLEUSE	95
10.2	CARACTÉRISTIQUES DE LA FLAMME	95
10.3	ÉTRANGLEMENTS DES ÉVÉNEMENTS VERTICAUX	95
11.0	ENTRETIEN	96
11.1	ENTRETIEN ANNUEL	97
11.2	ACCÈS AUX CONTRÔLES	98
11.2.1	PANNEAU D'ACCÈS INTÉRIEUR	98
11.3	ENLÈVEMENT DE LA SOUPAPE	98
11.4	LUMIÈRE DE VEILLE	99
11.5	REMPLACEMENT DE LA VITRE/PORTE	99
11.6	SOINS DE LA VITRE	100
11.7	SOINS DES PIÈCES PLAQUÉES	100

12.0	RECHANGES	100
13.0	VUE D'ENSEMBLE DU HD81-1	101
14.0	ACCESSOIRES	102
15.0	GUIDE DE DÉPANNAGE	103
16.0	GARANTIE	106
17.0	HISTORIQUE D'ENTRETIEN	107

NOTE: Les modifications, autres qu'éditoriales, sont indiquées par une ligne verticale dans la marge.

1.0 VUE D'ENSEMBLE DE L'INSTALLATION



⚠ AVERTISSEMENT: Ce produit peut vous exposer à des substances chimiques incluant le plomb et les composés de plomb qui, selon l'État de Californie, causeraient le cancer, et des substances chimiques incluant le monoxyde de carbone qui, selon l'État de Californie, causeraient des malformations congénitales ou autres dangers pour la reproduction. Pour de plus amples renseignements, visitez le www.P65Warnings.ca.gov.



Les piles doivent être mises au rebut conformément aux lois et à la réglementation locales. Certaines piles peuvent être recyclées et acceptées dans votre centre de recyclage local. Renseignez-vous auprès de votre municipalité au sujet des directives de recyclage.

2.0 INTRODUCTION

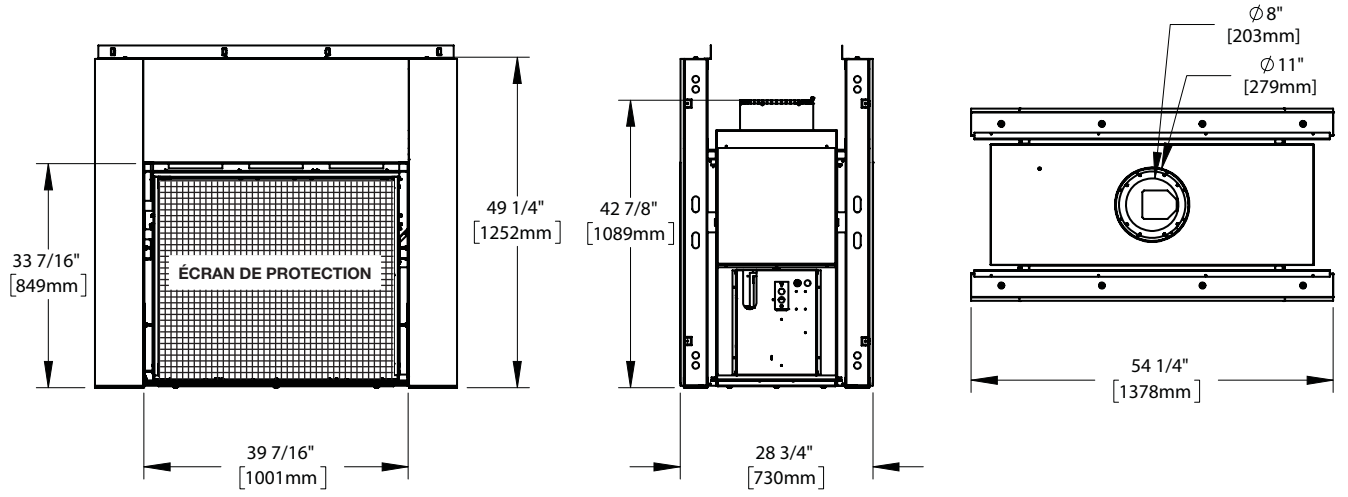
FR

AVERTISSEMENT

- **CET APPAREIL EST CHAUD LORSQU'IL FONCTIONNE ET PEUT CAUSER DE GRAVES BRÛLURES EN CAS DE CONTACT.**
- **TOUTE MODIFICATION APPORTÉE À CET APPAREIL OU AUX CONTRÔLES PEUT ÊTRE DANGEREUX ET EST INTERDIT.**
- Ne faites pas fonctionner l'appareil avant d'avoir lu et compris les instructions d'opération. Omettre d'utiliser l'appareil selon les instructions d'opération pourrait causer un incendie ou des blessures.
- Risque d'incendie ou d'asphyxie. Ne faites pas fonctionner l'appareil avec la vitre retirée.
- Ne branchez pas la soupape à du courant 110 volts.
- Risque de brûlures. L'appareil doit être éteint et refroidi avant d'effectuer un entretien.
- N'installez pas de composants endommagés ou incomplets ni des composants substitués.
- Risque de coupures et d'éraflures. Portez des gants protecteurs et des lunettes de sécurité lors de l'installation. Les bordures des pièces de métal peuvent être coupantes.
- Ne brûlez pas de bois ou autres matériaux dans cet appareil.
- **Les enfants et les adultes devraient être informés des dangers que posent les températures de surface élevées et se tenir à distance afin d'éviter des brûlures ou que leurs vêtements ne s'enflamment.**
- **Les jeunes enfants doivent être surveillés attentivement lorsqu'ils sont dans la même pièce que l'appareil. Les jeunes enfants et autres personnes à risque sont sujets aux brûlures accidentelles. Une barrière de protection est recommandée si des individus à risque se trouvent dans la maison. Afin de restreindre l'accès à l'appareil, installez une barrière de protection ajustable pour garder les jeunes enfants ou autres personnes à risque hors de la pièce et loin des surfaces chaudes.**
- **Les vêtements et autres matériaux combustibles ne doivent pas être posés sur l'appareil ou à proximité.**
- **En raison des températures élevées, l'appareil devrait être placé loin des endroits passants et loin des meubles et des rideaux.**
- Assurez-vous de disposer de mesures de sécurité adéquates pour empêcher les jeunes enfants de toucher aux surfaces chaudes.
- Même une fois que l'appareil est éteint, la vitre et/ou le pare-étincelles demeureront chauds pendant un temps prolongé.
- Consultez votre détaillant local de foyer pour connaître les grillages de sécurité et les écrans offerts pour protéger les enfants des surfaces chaudes. Ces grillages de sécurité et ces écrans doivent être fixés au plancher.
- **Tout grillages de sécurité, écrans ou barrière enlevés pour faire l'entretien devront être remis en place avant d'utiliser l'appareil.**
- Cet appareil est un appareil à gaz ventilé. Ne brûlez pas de bois ou autres matériaux dans cet appareil.
- Il est primordial de garder propres les compartiments de contrôle, les brûleurs, la soufflerie, les bouches d'air de l'appareil ainsi que le système d'évacuation. L'appareil et son système d'évacuation doivent être inspectés avant la première utilisation et au moins une fois l'an par un spécialiste en entretien. Un entretien plus fréquent pourrait être nécessaire en raison des peluches provenant des tapis, literie, etc. L'emplacement de l'appareil doit être gardé libre de tous matériaux combustibles, essence ou autres liquides et vapeurs inflammables.
- Cet appareil ne devra être modifié en aucun cas.
- Cet appareil ne doit pas être raccordé au conduit d'une cheminée desservant un autre appareil de chauffage à combustible solide.
- N'utilisez pas cet appareil si une partie quelconque a été submergée. Contactez immédiatement un technicien de service qualifié pour inspecter l'appareil et pour remplacer toute pièce du système de contrôle et du contrôle du gaz qui aurait été submergée.
- Ne pas opérer l'appareil lorsque la porte vitrée est enlevée, fissurée ou brisée. Le remplacement de la vitre devra être effectué par un technicien de service certifié ou qualifié.
- Ne frappez pas et ne claquez pas la porte vitrée de l'appareil.
- Les portes d'évacuation de pression doivent demeurer fermées pendant le fonctionnement de l'appareil afin d'empêcher les gaz de combustion contenant du monoxyde de carbone de s'infiltrer dans la maison. La température des gaz de combustion s'échappant par ces ouvertures peut aussi causer les matériaux combustibles avoisinants à surchauffer et à prendre feu.
- **Seules les portes/façades certifiées pour cet appareil peuvent être utilisées avec cet appareil.**
- Gardez les matériaux d'emballage hors de la portée des enfants et mettez ces matériaux au rebut de façon sécuritaire. Comme tous les emballages de plastique, ces matériaux ne sont pas des jouets et doivent demeurer hors de la portée des enfants et des bébés.
- Comme dans le cas de tout appareil à combustion, il est recommandé de faire inspecter et entretenir votre appareil régulièrement. De même, installez un détecteur de monoxyde de carbone dans la pièce pour vous protéger, ainsi que votre famille, contre les intoxications.
- Assurez-vous de respecter les dégagements aux matériaux combustibles lorsque vous installez un manteau ou des tablettes au-dessus de l'appareil. Les températures élevées sur le mur ou de l'air au-dessus de l'appareil peuvent faire fondre, décolorer ou endommager les décorations, les téléviseurs ou autres composants électroniques.
- **Une barrière conçu à réduire le risque de brûlures causées par le verre chaud est fourni avec l'appareil et sera installé.**
- **Si la barrière est endommagée, elle devra être remplacée par la barrière conçu par le manufacturier pour cet appareil.**
- **L'installation et la réparation devraient être effectuées par un technicien qualifié. L'appareil et son système d'évacuation devraient être inspectés avant l'utilisation initiale et au moins une fois l'an par un professionnel qualifié. Un nettoyage plus réquent peut être requis en raison de la poussière excessive laissée par les moquettes, les couvertures, etc. Il est impératif que les compartiments de contrôle, le brûleur et les passages de circulation d'air soient gardés propres afin de fournir une combustion et une circulation d'air adéquates.**

3.2C

2.1 DIMENSIONS



FR

2.2 INSTRUCTIONS GÉNÉRALES

! AVERTISSEMENT

ALLUMEZ TOUJOURS LA VEILLEUSE, QUE CE SOIT POUR LA PREMIÈRE FOIS OU LORSQUE L'APPROVISIONNEMENT EN GAZ EST ÉPUISÉ, AVEC LA PORTE VITRÉE OUVERTE OU RETIRÉE.

**PRÉVOYEZ UN ACCÈS SUFFISANT POUR ENTREtenir ET OPÉRER L'APPAREIL.
ASSUREZ-VOUS D'UNE QUANTITÉ SUFFISANTE D'AIR DE VENTILATION.**

N'OBSTRUEZ JAMAIS L'OUVERTURE DE L'APPAREIL.

LES OBJETS PLACÉS DEVANT L'APPAREIL DOIVENT ÊTRE GARDÉS À UNE DISTANCE D'AU MOINS 48" (1219.2mm) DE LA FACE VITRÉE DE L'APPAREIL.

**LES SURFACES AUTOUR ET SURTOUT AU-DESSUS DE L'APPAREIL PEUVENT DEVENIR CHAUDES.
NE TOUCHEZ PAS L'APPAREIL QUAND IL FONCTIONNE.**

RISQUE D'INCENDIE OU D'EXPLOSION.

LES PRESSIONS ÉLEVÉES ENDOMMAGERONT LA SOUPAPE. L'ALIMENTATION EN GAZ DOIT ÊTRE DÉBRANCHÉE PENDANT LES ESSAIS DE PRESSION DE CE SYSTÈME LORSQUE LES PRESSIONS D'ESSAI EXCÈDENT ½ LB/PO² (3,5 KPA). FERMEZ LA SOUPAPE D'ARRÊT MANUELLE PENDANT TOUT ESSAI DE PRESSION DU SYSTÈME D'ALIMENTATION EN GAZ LORSQUE LA PRESSION EST DE ½ LB/PO² (3,5 mb) OU MOINS.

N'UTILISEZ QUE LES ACCESSOIRES OPTIONNELS ET LES PIÈCES DE RECHANGE APPROUVÉS PAR WOLF STEEL POUR CET APPAREIL. L'UTILISATION D'ACCESSOIRES NON LISTÉS (SOUFFLERIE, PORTES, PER-SIENNES, MOULURES, COMPOSANTS DE GAZ, COMPOSANTS D'ÉVACUATION, ETC.) POURRAIT ÊTRE NON SÉCURITAIRE ET ANNULERA LA GARANTIE ET LA CERTIFICATION.

L'APPAREIL NE DOIT PAS ÊTRE UTILISÉ AU TEMPÉRATURES AU-DESSOUS DE ZÉRO (32°F / 0°C). PERMETTRE À L'APPAREIL POUR RÉCHAUFFER AU-DESSUS DE ZÉRO AVANT LE FONCTIONNEMENT.

CET APPAREIL AU GAZ DEVRAIT ÊTRE INSTALLÉ ET ENTRETENU PAR UN INSTALLATEUR QUALIFIÉ en se conformant aux codes locaux. Les pratiques d'installation peuvent varier d'une région à l'autre. Il est donc important de connaître les normes spécifiques qui s'appliquent à votre région. Par exemple dans l'état du Massachusetts:

- Ce produit doit être installé par un plombier certifié ou un installateur pour le gaz lorsque installé dans le Commonwealth du Massachusetts.
- Le registre de l'appareil doit être enlevé ou bloqué en le soudant en position ouverte avant d'installer un encastré ou un ensemble de bûches à gaz.
- La soupape d'arrêt doit être un robinet à gaz avec une poignée en T.
- Le raccord flexible ne doit pas mesurer plus que 36 pouces (914.4mm).
- Un détecteur de monoxyde de carbone est requis dans toutes les pièces contenant des appareils alimentés au gaz.
- L'appareil n'est pas approuvé pour installation dans une chambre à coucher ou une salle de bain à moins d'être un appareil avec une chambre de combustion scellée à évacuation directe.

L'installation doit se conformer aux codes locaux. En l'absence de codes locaux, l'installation doit être conforme au Code d'installation du gaz naturel et du propane CSA B149.1 au Canada ou au National Fuel Gas Code, ANSI Z223.1/ NFPA 54 aux États-Unis. Cet appareil convient pour installation dans une maison mobile si l'installation est conforme aux normes actuelles pour les maisons mobiles équipées au gaz CAN/CSA Z240 SÉRIE MM au Canada ou selon les normes ANSI Z223.1 et NFPA 54 aux États-Unis.

Tant que les distances requises pour les dégagements aux matériaux combustibles sont respectées, le meilleur endroit pour un appareil est le centre de la maison, car ceci permet une meilleure utilisation de la chaleur fournie. L'emplacement des fenêtres, des portes et la circulation dans la pièce où se trouve l'appareil devront être pris en considération. Si possible, vous devriez choisir un emplacement où le système d'évent peut passer à travers la maison sans avoir à découper des solives de plancher ou de toit.

Si l'appareil est installé directement sur un tapis, sur une surface de vinyle ou tout autre revêtement de plancher combustible autre que le bois, l'appareil devra être monté sur un panneau continu de métal ou de bois se prolongeant sur toute la largeur et la profondeur.

Certains appareils ont une soufflerie ou un ensemble de deux souffleries optionnel. Si la soufflerie ou l'ensemble de deux souffleries optionnel est installé, la boîte de dérivation doit être branchée au circuit électrique et mise à la terre conformément aux codes locaux. Utilisez la version courante du Code canadien de l'électricité CSA C22.1 au Canada ou le National Electrical Code ANSI/NFPA 70 aux États-Unis.

La soufflerie optionnelle est munie d'un cordon électrique.

Cet appareil est équipé d'un système de contrôle de secours. Par conséquent, le récepteur requiert quatre piles AA de 1,5 volt. Utilisez uniquement des piles alcalines. Voir la section « EN CAS DE PANNE DE COURANT ».

**NATIONAL
FIREPLACE
INSTITUTE**



CERTIFIED
www.nficertified.org

Nous suggérons que nos appareils au gaz soient installés et que l'entretien soit effectué par des professionnels certifiés par le National Fireplace Institute® (NFI) comme spécialiste du gaz NFI.

2.3 INFORMATION GÉNÉRALE

POUR VOTRE SATISFACTION, CET APPAREIL A ÉTÉ MIS À L'ESSAI POUR CONFIRMER SON FONCTIONNEMENT ET SA QUALITÉ!

HD81-1		
	GN	P
Altitude (PI)	0-4,500	0-4500
Débit max. (BTU/H)	60,000	50,000
Rend. max. (BTU/H)	38,753	33,677
Efficacité (souf. allumée)	64%	68%
Pression minimale d'alimentation en gaz	4.5" w.c. (11mb)	11" w.c. (27mb)
Pression maximale d'alimentation en gaz	13" w.c. (32mb)	13" w.c. (32mb)
Pression au collecteur (lorsque le gaz circule)	3.5" w.c. (9mb)	10" w.c. (25mb)

Cet appareil est approuvé pour installation dans les salles de bain, les chambres à coucher ou les chambres studio et convient pour installation dans les maisons mobiles.

Cet appareil ne doit fonctionner qu'avec le gaz spécifié sur la plaque d'homologation. Cet appareil ne peut être converti à un autre type de gaz à moins d'utiliser un ensemble de conversion certifié.

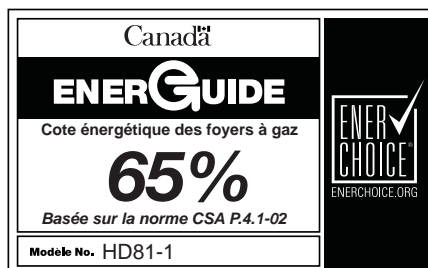
Lorsque l'appareil est installé à des élévations dépassant 4 500 pieds (1371m), et en l'absence de recommandations spécifiques de l'autorité compétente locale, l'indice certifié du débit à haute altitude devra être réduit au taux de 4 % pour chaque 1 000 pieds (305m) supplémentaires.

L'appareil possède deux interrupteurs, celui du récepteur doit être placé à la position médiane. L'autre, qui se trouve sur le module de contrôle, doit être placé à la position « I », indiquant que l'appareil est en marche. Si ces deux interrupteurs sont réglés à des positions différentes, l'appareil ne fonctionnera pas. Voir les sections « INSTALLATION DU RÉCEPTEUR » et « ENLÈVEMENT DU MODULE DE CONTRÔLE ».


Les bruits causés par l'expansion et la contraction lors des cycles de chauffage et de refroidissement sont tout à fait normaux et il faut s'y attendre. Le changement de l'apparence de la flamme de « HI » à « LO » est plus apparent pour le gaz naturel que pour le propane.

NOTE : L'emballage de protection sur les pièces plaquées s'enlève mieux lorsque l'assemblage est à température ambiante ou lorsqu'il est chauffé avec un séchoir à cheveux ou une autre source de chaleur similaire.

Cet appareil est équipé d'un système de contrôle à distance qui requiert l'installation de piles (fournies). La télécommande nécessite trois piles AAA et en cas de panne de courant, le récepteur nécessite quatre piles AA.



3.0 ÉVACUATION

 AVERTISSEMENT
RISQUE D'INCENDIE. CONSERVEZ LES DÉGAGEMENTS NÉCESSAIRES AU CONDUIT D'ÉVENT ET À L'APPAREIL.
<p>SI LE SYSTÈME D'ÉVENT EST FOURNI AVEC DES ESPACEURS, LES COURSES HORIZONTALES ET VERTICALES DU SYSTÈME DOIVENT ÊTRE SUPPORTÉES À TOUS LES 3 PI (0,9m). UTILISEZ DES SUPPORTS OU DES ATTACHES INCOMBUSTIBLES ÉQUIVALENTS AFIN DE MAINTENIR LE DÉGAGEMENT AUX MATÉRIAUX COMBUSTIBLES. UTILISEZ L'ENSEMBLE DE SUPPORT MURAL WOLF STEEL W010-0370 OU DES SUPPORTS INCOMBUSTIBLES ÉQUIVALENTS AFIN DE CONSERVER LE DÉGAGEMENT MINIMAL AUX MATÉRIAUX COMBUSTIBLES POUR LES COURSES VERTICALES ET HORIZONTALES. DES ESPACEURS SONT FIXÉS AU CONDUIT INTÉRIEUR À INTERVALLES PRÉDÉTERMINÉS AFIN DE GARDER UN ESPACE VIDE AVEC LE CONDUIT EXTÉRIEUR. POUR QUE LE FONCTIONNEMENT SOIT SÉCURITAIRE, UN ESPACE VIDE EST REQUIS. UN ESPACEUR EST REQUIS AU DÉBUT, AU MILIEU ET À LA FIN DE CHAQUE COUDE AFIN DE MAINTENIR CET ESPACE VIDE. N'ENLEVEZ PAS CES ESPACEURS.</p>

FR

Ce appareil utilise une évacuation de 8" (203,2mm) et un système d'évents de prise d'air de 11" (279mm).
Consultez la section qui s'applique à votre installation.

Afin d'assurer un fonctionnement sécuritaire et adéquat de l'appareil, vous devez observer les instructions d'évacuation à la lettre. Un changement à la longueur verticale minimale de l'évacuation pourrait entraîner des problèmes d'allumage du brûleur et/ou des accumulations de carbone. Lorsque les configurations de l'évacuation sont à l'extrême, laissez plusieurs minutes (5-15) à la flamme pour se stabiliser après l'allumage. Prévoyez un moyen d'inspecter visuellement le raccord de l'évent à appareil après que ce dernier a été installé. Utilisez un espaceur coupe-feu, un protecteur de conduit d'évacuation ou un écran thermique de grenier lorsque les murs intérieurs, le plancher ou le plafond sont traversés.

NOTE: Si pour une raison quelconque le système d'évents de prise d'air est démonté, réinstallez et rescellez-le selon les instructions fournies dans l'installation initiale.

3.1 LONGUEURS ET COMPOSANTS DES CONDUITS D'ÉVACUATION

Pour les systèmes d'évents dont le conduit intérieur d'évacuation possède déjà des joints scellés, seuls les joints du conduit extérieur de prise d'air doivent être scellés avec un scellant de silicone rouge à haute température (RTV). Ce même scellant peut être utilisé sur les joints des conduits intérieurs et extérieurs de tous les autres systèmes d'évents approuvés à l'exception du raccordement du conduit d'évacuation à la buse de l'appareil qui doit être scellé avec le scellant noir à haute température Mill Pac.

Lorsque vous utilisez les composants d'évacuation Wolf Steel, n'utilisez que des composants flexibles d'évacuation Wolf Steel conjointement avec les ensembles de terminaison suivants : ensemble de terminaison murale **GD822R**, ensemble de terminaison pour toit de pente 1/12 à 7/12 **GD810**, ensemble de terminaison pour toit de pente 8/12 à 12/12 **GD811** ou ensemble de terminaison pour toit plat **GD812**. Lorsque vous utilisez des conduits flexibles conjointement avec les différentes terminaisons, utilisez l'ensemble d'évents de 5 pieds (1,5m) **GD820** ou l'ensemble d'évents de 10 pieds (3,1m) **GD830**.

Pour une performance optimale de l'appareil et une apparence optimale des flammes, gardez la longueur des événements et le nombre de coudes au minimum. La prise d'air de la terminaison extérieure doit demeurer dégagée en tout temps. Vérifiez la prise d'air de la terminaison au moins une fois l'an pour vous assurer qu'elle n'est pas obstruée ni endommagée.

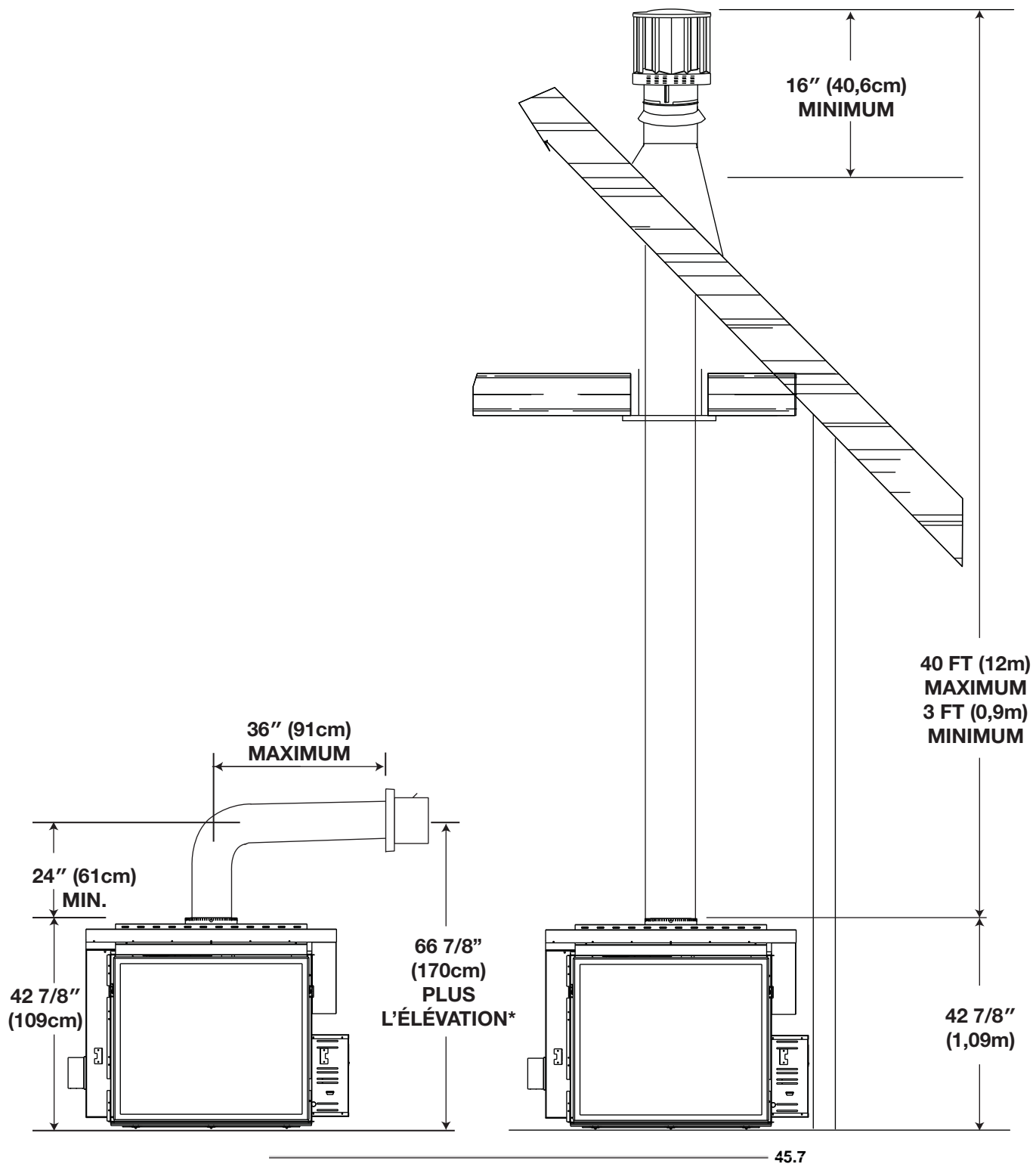
La longueur maximale permise pour un événement vertical est de 40 pieds (12,2m), la longueur minimale permise pour un événement vertical est de 3 pieds (0,9m). Le nombre maximal de raccords de 8" (203mm) est de trois horizontalement ou verticalement (excluant les raccords à l'appareil et à la section de terminaison).

La course horizontale doit être conservée à un minimum de 3 pieds (0,9m) ou un maximum de 20 pieds (6m). Si une course horizontale de 20 pieds (6,1m) est requise, l'appareil devra avoir une élévation verticale immédiatement à la sortie de l'appareil d'un minimum de 4,8 pieds (1,5m). Quand elle se termine verticalement, l'élévation verticale est d'un minimum de 3 pieds (0,9m) et d'un maximum de 40 pieds (12,2m) au-dessus de l'appareil.

Pour une performance optimale de l'appareil, toutes les courses horizontales devraient avoir une élévation d'au moins 1/4" (6,4mm) par pied/mètre. Prévoyez un moyen d'inspecter visuellement le raccord des événements de l'appareil après que ce dernier a été installé. Ne laissez pas le conduit intérieur se tasser contre les courses horizontales ou verticales et les coudes. Gardez-le tendu. Pour que le fonctionnement soit sécuritaire, un espace vide de 1 3/4" (44,4mm) est requis tout autour, entre le conduit intérieur et le conduit extérieur. Utilisez un espaceur coupe-feu lorsque les murs intérieurs, le plancher ou le plafond sont traversés.

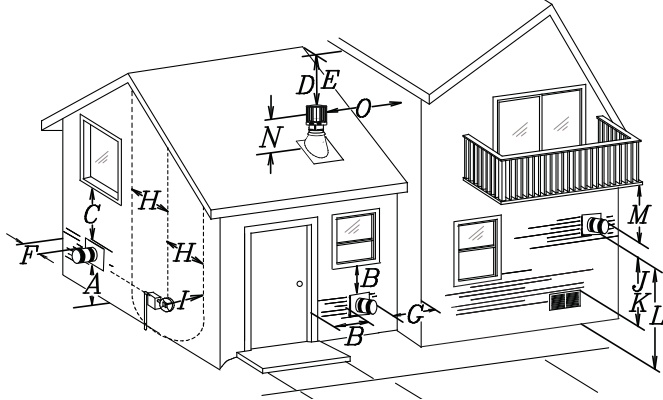
3.2 INSTALLATION TYPIQUES D'ÉVENTS

FR

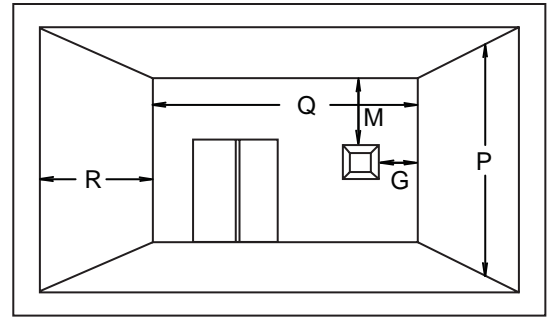


* Voir la section « ÉVACUATION »

3.3 EMBLEMENTS ET DÉGAGEMENTS MINIMAUX DE LA TERMINAISON



APPLICATIONS POUR BALCON COUVERT

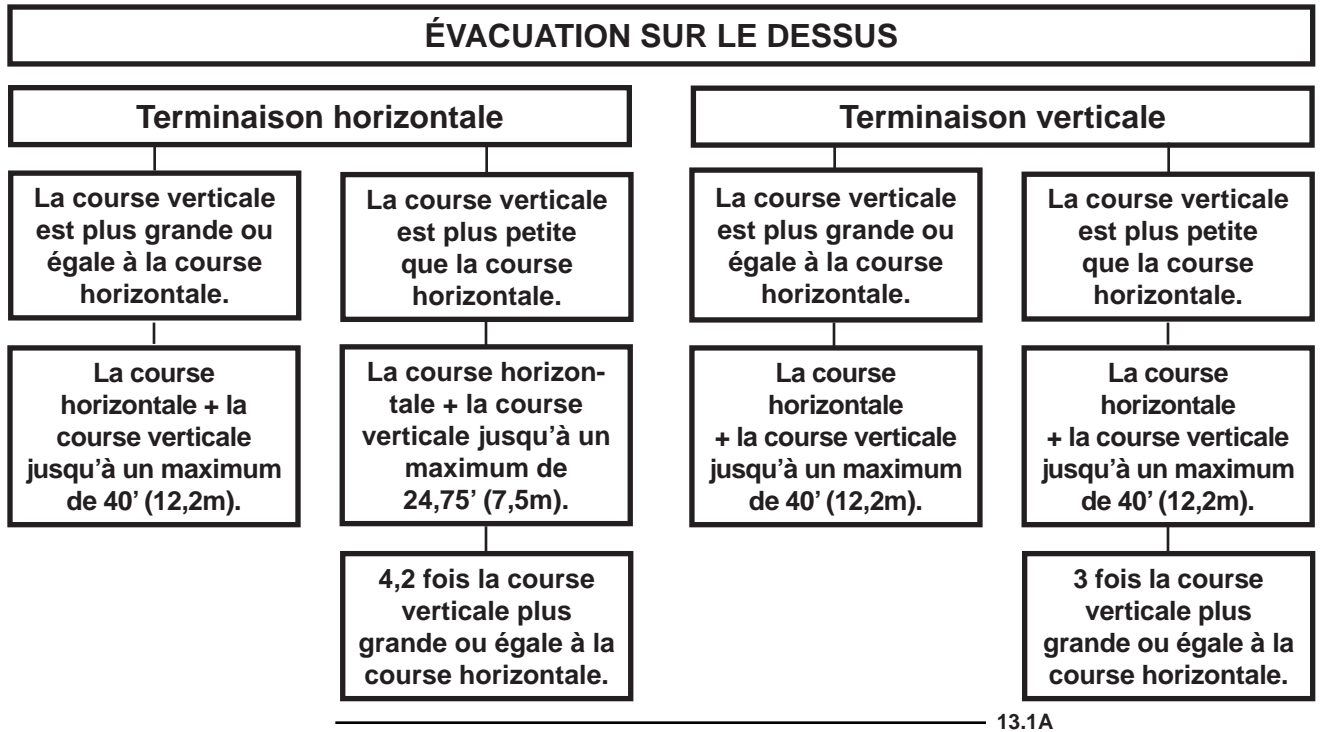


$Q_{MIN} = 3 \text{ pieds}$ (0,9m)	$R_{MAX} = 2 \times Q_{RÉELLE}$	$R_{MAX} \leq 15 \text{ pieds}$ (4,6m)
---------------------------------------	---------------------------------	---

INSTALLATIONS			
	CANADA	É.-U.	
A	12" (30,5cm)	12" (30,5cm)	Dégagement au-dessus du sol, d'une véranda, d'une terrasse en bois ou d'un balcon.
B	12" (30,5cm) ^Δ	9" (228,6mm) ^Δ	Dégagement des fenêtres ou des portes qui ouvrent.
C	12" (30,5cm)*	12" (30,5cm)*	Dégagement des fenêtres fermées en permanence.
D	18" (45,7cm)**	18" (45,7cm)**	Dégagement vertical d'un soffite ventilé situé au-dessus de la terminaison si la distance horizontale est de 2 pieds (0,6m) et moins de la ligne médiane de la terminaison.
E	12" (30,5cm)**	12" (30,5cm)**	Dégagement d'un soffite non ventilé.
F	0" (0mm)	0" (0mm)	Dégagement des murs faisant coin extérieur.
G	0" (0mm)***	0" (0mm)***	Dégagement des murs extérieurs incombustibles faisant coin intérieur ou aux obstructions combustibles (habillage extérieur, etc.).
	2" (50,8mm)***	2" (50,8mm)***	Dégagement des murs extérieurs combustibles faisant coin intérieur ou aux obstructions combustibles (habillage extérieur, etc.).
H	3' (0,9m)	3' (0,9m)****	Dégagement horizontal de chaque côté depuis la ligne verticale tirée du centre d'un ensemble de régulateur/compteur pour une distance verticale maximale de 15' (4,6m).
I	3' (0,9m)	3' (0,9m)****	Dégagement de l'évent du régulateur.
J	12" (30,5cm)	9" (228,6mm)	Dégagement d'une prise d'air de ventilation non mécanique. de la maison ou d'une prise d'air de combustion de tout autre appareil.
K	6' (1,8m)	3' (0,9m)	Dégagement d'une prise d'air mécanique.
L	7' (2,1m) ‡	7' (2,1m)****	Dégagement au-dessus d'un trottoir ou d'une entrée pavée situés sur une propriété publique.
M	12" (30,5cm) ††	12" (30,5cm)****	Dégagement sous une véranda, une terrasse en bois ou en balcon.
N	16" (40,6cm)	16" (40,6cm)	Dégagement au-dessus du toit.
O	2' (0,61m) †*	2' (0,61m) †*	Dégagement des murs adjacents, incluant les maisons voisines.
P	8' (2,4m)	8' (2,4m)	Le toit doit être incombustible et sans ouvertures.
Q	3' (0,9m)	3' (0,9m)	Voir le tableau pour les dimensions d'un mur plus large
R	6' (1,8m)	6' (1,8m)	Voir le tableau pour les dimensions d'un mur plus profond. La terminaison ne doit pas être installée sur quelconque mur ayant une ouverture entre la terminaison et le côté ouvert de la structure.

- Δ Pour les structures comportant trois murs et un toit, la terminaison doit être située à plus de 6 pieds (1,8m) sous une fenêtre s'ouvrant sur un plan horizontal.
- * Recommandé afin de prévenir la formation de buée dans les fenêtres et les cassures thermiques.
- ** Il est recommandé d'utiliser un protecteur de chaleur et de maximiser la distance au soffite de plastique.
- *** L'ensemble périscopique requiert un dégagement minimal de 18 pouces (45,7cm) d'un mur extérieur faisant coin intérieur.
- **** Ceci est une distance recommandée. Vérifiez les codes locaux pour connaître les contraintes additionnelles.
- † Trois pieds au-dessus si la distance horizontale est de moins de 10 pieds (3,1m)
- ‡ Une terminaison d'évacuation ne doit pas être installée à un endroit où elle pourrait causer une formation dangereuse de givre ou de glace sur les surfaces d'une propriété adjacente.
- †† Permis seulement si la véranda ou la terrasse en bois sont complètement ouverts sur un minimum de deux côtés sous le plancher.
- †* Recommandé afin d'éviter la recirculation des produits d'échappement. Vérifiez les codes locaux pour connaître les contraintes additionnelles.

3.4 CHARTE D'APPLICATION DES ÉVACUATIONS



13.1A

3.5 DÉFINITIONS

Les symboles suivants sont utilisés dans le calcul et les exemples d'évacuation :

> - plus grand que

≥ - plus grand ou égal à

< - plus petit que

≤ - plus petit ou égal à

H_T - total de la longueur des courses horizontales (H_R) et des déviations (H_O) en pieds

H_R - longueur des courses horizontales combinées en pieds

H_O - facteur de la valeur d'une déviation : 0,03 (du total des degrés de déviation - 90°*) en pieds

V_T - longueur des courses verticales combinées en pieds

14.1

3.6 VALEURS DU COUDE EN LONGUEURS D'ÉVENT

	<u>PIEDS</u>	<u>POUCES</u>	<u>MILLIMÈTRES</u>
1°	0,03	0,5	12,7
15°	0,45	6,0	152,4
30°	0,9	11,0	279,4
45°	1,35	16,0	406,4
90°*	2,7	32,0	812,8

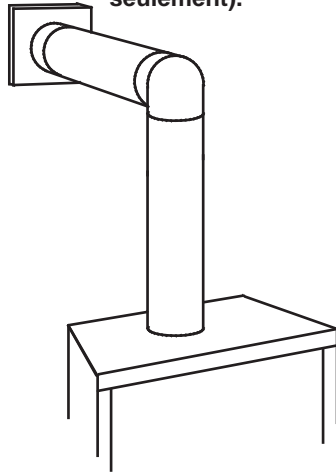
* La première déviation de 90° a une valeur zéro et est illustrée dans la formule comme - 90°

15.1A

3.7 TERMINAISON HORIZONTALE

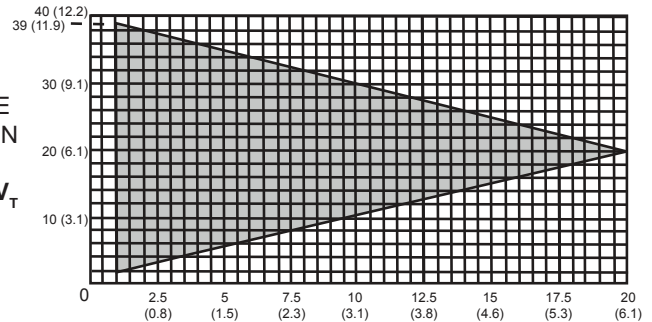
$$(H_T) \leq (V_T)$$

Configuration d'évacuation simple (un coude de 90° seulement).



Consultez le graphique pour déterminer la course verticale nécessaire V_T par rapport à la course horizontale requise H_T .

COURSE VERTICALE REQUISE EN PIEDS (MÈTRES) V_T



LONGUEUR DES COURSES HORIZONTALES PLUS LES DÉVIATIONS EN PIEDS (MÈTRES) H_T

La section ombragée à l'intérieur des lignes représente des valeurs acceptables pour H_T et V_T .

Lorsque la configuration de l'évacuation exige plus d'un coude de 90°, les formules suivantes s'appliquent :

Formule 1 : $H_T \leq V_T$

Formule 2 : $H_T + V_T \leq 40$ pieds (12,2m)

Exemple :

$V_1 = 3$ PI (0,9m)

$V_2 = 8$ PI (2,4m)

$V_T = V_1 + V_2 = 3$ PI (0,9m) + 8PI (2,4m) = 11PI (3,4m)

$H_1 = 2,5$ PI (0,8m)

$H_2 = 2$ PI (0,6m)

$H_R = H_1 + H_2 = 2,5$ PI (0,8m) + 2PI (0,6m) = 4,5 PI (1,4m)

$H_o = 0,03$ (trois coudes 90° - 90°) = 0,03 (270° - 90°) = 5,4 PI (1,6m)

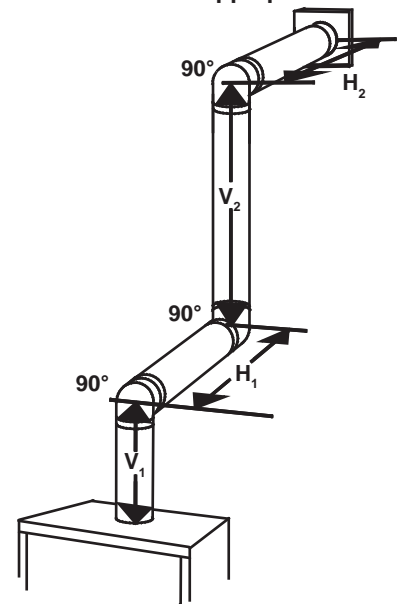
$H_T = H_R + H_o = 4,5$ PI (1,4m) + 5,4PI (1,6m) = 9,9 PI (3m)

$H_T + V_T = 9,9$ PI (3m) + 11PI (3,4m) = 20,9 PI (6,4m)

Formule 1 : $H_T \leq V_T$
 $9,9$ PI (3m) \leq 11PI (3,4m)

Formule 2 : $H_T + V_T \leq 40$ PI (12,2m)
 $20,9$ PI (6,4m) \leq 40 PI (12,2m)

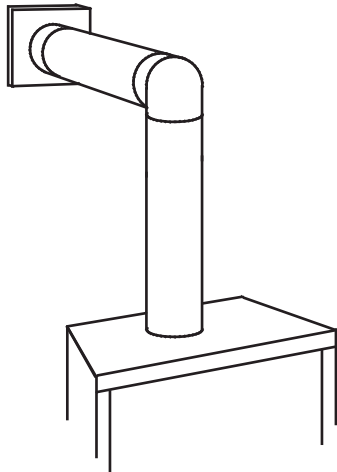
Puisque les deux formules sont respectées, cette configuration d'évacuation est acceptable.



16.1B

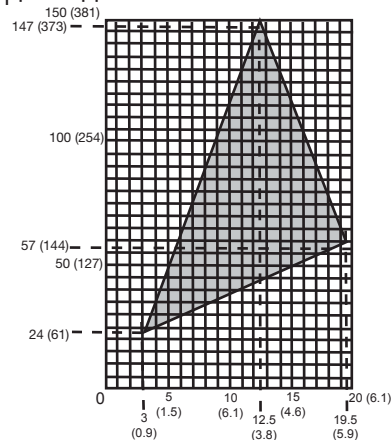
$$(H_T) > (V_T)$$

**Configuration d'évacuation simple
(un coude de 90° seulement).**



COURSE
VERTICAL
REQUIS EN
POUCES
(CENTIMÈTRES) V_T

Consultez le graphique pour déterminer la course verticale nécessaire V_T par rapport à la course horizontale requise H_T .



LONGUEUR DES COURSES HORIZONTALES PLUS
LES DÉVIATIONS EN PIEDS (MÈTRE) H_T
La section ombragée à l'intérieur des lignes représente
des valeurs acceptables pour H_T et V_T .

Lorsque la configuration de l'évacuation exige plus d'un coude de 90°, les formules suivantes s'appliquent :

Formule 1 : $H_T \leq 4,2 V_T$

Formule 2 : $H_T + V_T \leq 24,75$ pieds (7,5m)

Exemple 2 :

$$V_1 = V_T = 6 \text{ PI (1,8m)}$$

$$H_1 = 3 \text{ PI (0,9m)}$$

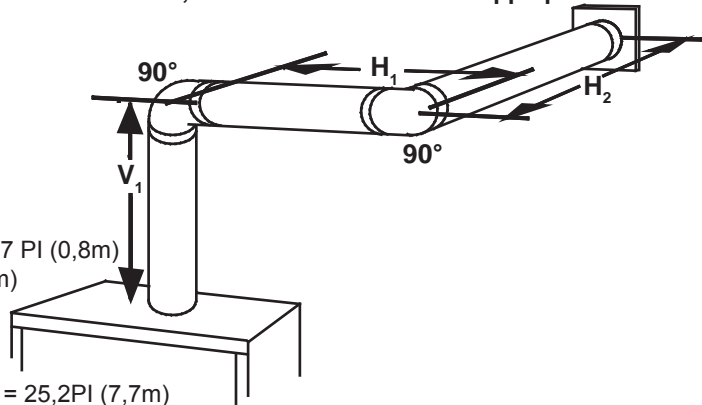
$$H_2 = 5 \text{ PI (1,5m)}$$

$$H_R = H_1 + H_2 = 3 \text{ PI (0,9m)} + 5 \text{ PI (1,5m)} = 8 \text{ PI (2,4m)}$$

$$H_o = 0,03 \text{ (deux coudes } 90^\circ - 90^\circ) = 0,03 \text{ (} 180^\circ - 90^\circ) = 2,7 \text{ PI (0,8m)}$$

$$H_T = H_R + H_o = 8 \text{ PI (2,4m)} + 2,7 \text{ PI (0,8m)} = 10,7 \text{ PI (3,3m)}$$

$$H_T + V_T = 10,7 \text{ PI (3,3m)} + 6 \text{ PI (1,8m)} = 16,7 \text{ PI (5,1m)}$$



Formule 1 :

$$H_T \leq 4,2 V_T$$

$$4,2 V_T = 4,2 \text{ PI (1,3m)} \times 6 \text{ PI (1,8m)} = 25,2 \text{ PI (7,7m)}$$

$$10,7 \text{ PI (3,3m)} \leq 25,2 \text{ PI (7,7m)}$$

Formule 2 :

$$H_T + V_T \leq 24,75 \text{ PI (7,5m)}$$

$$16,7 \text{ PI (5,1m)} \leq 24,75 \text{ PI (7,5m)}$$

Puisque les deux formules sont respectées, cette configuration d'évacuation est acceptable.

Exemple 3 :

$$V_1 = 4 \text{ PI (1,2m)}$$

$$V_2 = 1,5 \text{ PI (0,5m)}$$

$$V_T = V_1 + V_2 = 4 \text{ PI (1,2m)} + 1,5 \text{ PI (0,5m)} = 5,5 \text{ PI (1,7m)}$$

$$H_1 = 2 \text{ PI (0,6m)}$$

$$H_2 = 1 \text{ PI (0,3m)}$$

$$H_3 = 1 \text{ PI (0,3m)}$$

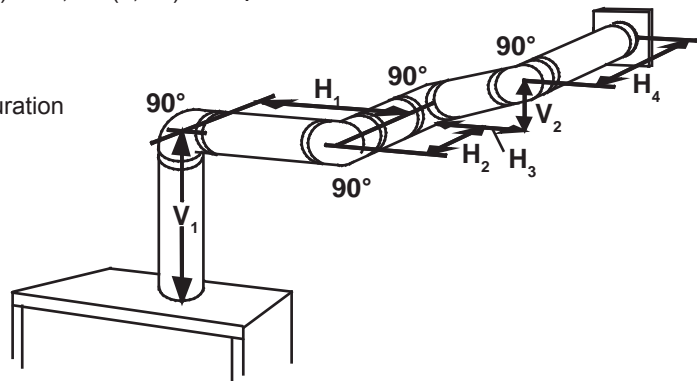
$$H_4 = 1,5 \text{ PI (0,5m)}$$

$$H_R = H_1 + H_2 + H_3 + H_4 = 2 \text{ PI (0,6m)} + 1 \text{ PI (0,3m)} + 1 \text{ PI (0,3m)} + 1,5 \text{ PI (0,5m)} = 5,5 \text{ PI (1,7m)}$$

$$H_o = 0,03 \text{ (quatre coudes } 90^\circ - 90^\circ) = 0,03 \text{ (} 360^\circ - 90^\circ) = 8,1 \text{ PI (2,5m)}$$

$$H_T = H_R + H_o = 5,5 \text{ PI (1,7m)} + 8,1 \text{ PI (2,5m)} = 13,6 \text{ PI (4,2m)}$$

$$H_T + V_T = 13,6 \text{ PI (4,2m)} + 5,5 \text{ PI (1,7m)} = 19,1 \text{ PI (5,8m)}$$



Formule 1 :

$$H_T \leq 4,2 V_T$$

$$4,2 V_T = 4,2 \text{ PI (1,3m)} \times 5,5 \text{ PI (1,7m)} = 23,1 \text{ PI (7m)}$$

$$13,6 \text{ PI (4,2m)} \leq 23,1 \text{ PI (7m)}$$

Formule 2 :

$$H_T + V_T \leq 24,75 \text{ PI (7,5m)}$$

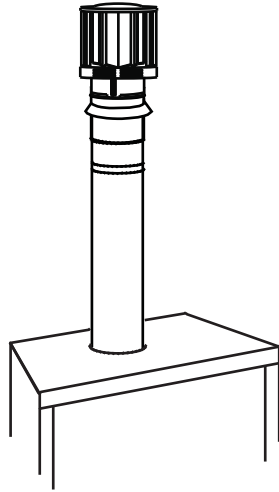
$$19,1 \text{ PI (5,8m)} \leq 24,75 \text{ PI (7,5m)}$$

Puisque les deux formules sont respectées, cette configuration d'évacuation est acceptable.

3.8 TERMINAISON VERTICALE

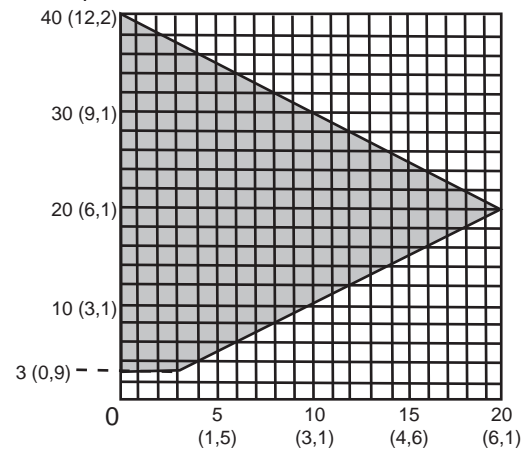
$$(H_T) \leq (V_T)$$

Configuration d'évacuation simple.



COURSE
VERTICALE
REQUISE EN
PIEDS
(MÈTRES) V_T

Consultez le graphique pour déterminer la course verticale nécessaire V_T par rapport à la course horizontale requise H_T .



LONGUEUR DES COURSES HORIZONTALES PLUS
LES DÉVIATIONS EN PIEDS (MÈTRES) H_T

La section ombragée à l'intérieur des lignes représente
des valeurs acceptables pour H_T et V_T .

Lorsque la configuration de l'évacuation exige plus de zéro coude de 90° , les formules suivantes s'appliquent :

Formule 1 : $H_T \leq V_T$

Formule 2 : $H_T + V_T \leq 40$ pieds (12,2m)

Exemple :

$$V_1 = 5 \text{ PI (1,5m)}$$

$$V_2 = 6 \text{ PI (1,8m)}$$

$$V_3 = 10 \text{ PI (3,1m)}$$

$$V_T = V_1 + V_2 + V_3 = 5\text{PI (1,5m)} + 6\text{PI (1,8m)} + 10\text{PI (3,1m)} = 21 \text{ PI (6,4m)}$$

$$H_1 = 8 \text{ PI (2,4m)}$$

$$H_2 = 2,5 \text{ PI (0,8m)}$$

$$H_R = H_1 + H_2 = 8 \text{ PI (2,4m)} + 2,5 \text{ PI (0,8m)} = 10,5 \text{ PI (3,2m)}$$

$$H_o = 0,03 \text{ (quatre coudes } 90^\circ - 90^\circ)$$

$$= 0,03 (360^\circ - 90^\circ) = 8,1 \text{ PI (2,5m)}$$

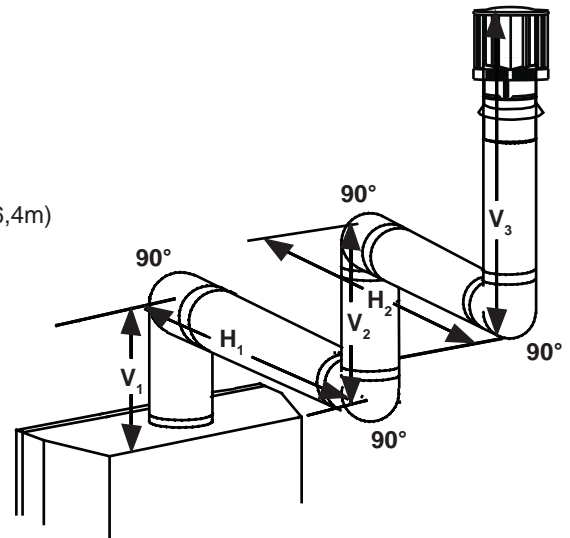
$$H_T = H_R + H_o = 10,5\text{PI (3,2m)} + 8,1\text{PI (2,5m)} = 18,6 \text{ PI (5,7m)}$$

$$H_T + V_T = 18,6\text{PI (5,7m)} + 21\text{PI (6,4m)} = 39,6 \text{ PI (12,1m)}$$

Formule 1 : $H_T \leq V_T$
 $18,6\text{PI (5,7m)} \leq 21\text{PI (6,4m)}$

Formule 2 : $H_T + V_T \leq 40 \text{ PI (12,2m)}$
 $39,6 \text{ PI (12,1m)} \leq 40 \text{ PI (12,2m)}$

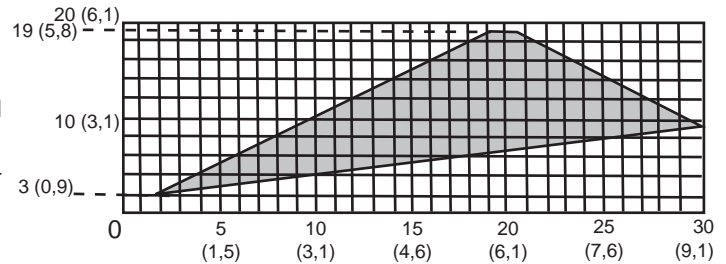
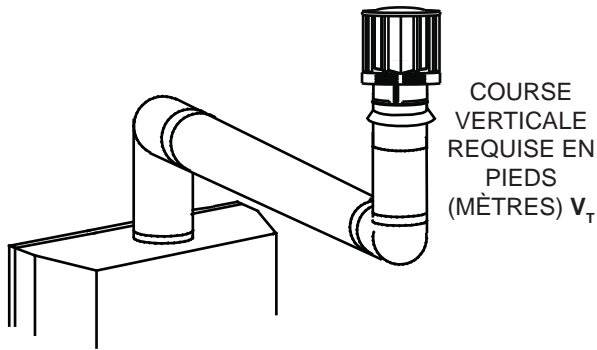
Puisque les deux formules sont respectées, cette configuration d'évacuation est acceptable.



18.1A

$$(H_T) > (V_T)$$

Configuration d'évacuation simple.



LONGUEUR DES COURSES HORIZONTALES PLUS LES DÉVIATIONS EN PIEDS (MÈTRES) H_T

La section ombragée à l'intérieur des lignes représente des valeurs acceptables pour H_T et V_T .

Lorsque la configuration de l'évacuation exige plus de deux coudes de 90°, les formules suivantes s'appliquent :

Formule 1 : $H_T \leq 3V_T$

Formule 2 : $H_T + V_T \leq 40$ pieds (12,2m)

Exemple :

$$V_1 = 2 \text{ PI (0,6m)}$$

$$V_2 = 1 \text{ PI (0,3m)}$$

$$V_3 = 1,5 \text{ PI (0,5m)}$$

$$V_T = V_1 + V_2 + V_3 = 2\text{PI (0,6m)} + 1\text{PI (0,3m)} + 1,5\text{PI (0,5m)} = 4,5 \text{ PI (1,4m)}$$

$$H_1 = 6 \text{ PI (1,8m)}$$

$$H_2 = 2 \text{ PI (0,6m)}$$

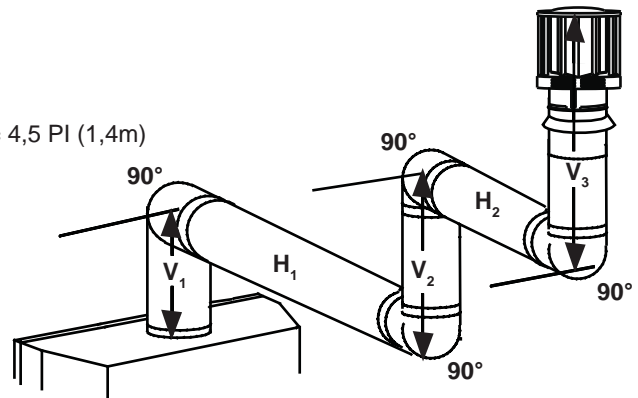
$$H_R = H_1 + H_2 = 6\text{PI (1,8m)} + 2\text{PI (0,6m)} = 8 \text{ PI (2,4m)}$$

$$H_O = 0,03 \text{ (quatre coudes } 90^\circ - 90^\circ)$$

$$= 0,03 (360^\circ - 90^\circ) = 8,1 \text{ PI (2,5m)}$$

$$H_T = H_R + H_O = 8 \text{ PI (2,4m)} + 8,1 \text{ PI (2,5m)} = 16,1 \text{ PI (4,9m)}$$

$$H_T + V_T = 16,1\text{PI (4,9m)} + 4,5\text{PI (1,4m)} = 20,6 \text{ PI (6,3m)}$$



Formule 1 : $H_T \leq 3V_T$

$$3V_T = 3\text{PI (0,9m)} \times 4,5\text{PI (1,4m)} = 13,5 \text{ PI (4,1m)}$$

$$16,1 \text{ PI (4,9m)} \leq 13,5 \text{ PI (4,1m)}$$

Puisque cette formule n'est pas respectée, cette configuration d'évacuation est **inacceptable**.

Formule 2 : $H_T + V_T \leq 40$ pieds (12,2m)

$$20,6 \text{ PI (6,3m)} \leq 40 \text{ PI (12,2m)}$$

Puisque seulement la formule 2 est respectée, cette configuration est inacceptable et l'on devra trouver un autre endroit pour installer l'appareil ou trouver une configuration d'évacuation qui pourra respecter les deux formules.

18.1_2B

4.0 INSTALLATION

! AVERTISSEMENT
AVANT D'EFFECTUER LES BRANCHEMENTS POUR L'ALIMENTATION EN GAZ ET ÉLECTRIQUE, ASSUREZ-VOUS DE RETIRER TOUTE COMPOSANTE NON FIXÉE À L'INTÉRIEUR DE LA CHAMBRE DE COMBUSTION.
SI VOTRE APPAREIL COMPREND UN SYSTÈME DE TÉLÉCOMMANDE, ASSUREZ-VOUS QUE LE RÉCEPTEUR EST À LA POSITION « OFF » AVANT D'EFFECTUER LES BRANCHEMENTS POUR L'ALIMENTATION EN GAZ ET ÉLECTRIQUE.
AFIN D'ASSURER UN FONCTIONNEMENT SÉCURITAIRE ET ADÉQUAT DE L'APPAREIL, VOUS DEVEZ OBSERVER LES INSTRUCTIONS D'ÉVACUATION À LA LETTRE.
TOUS LES JOINTS DES CONDUITS DOIVENT ÊTRE SCELLÉS AVEC DU SCELLANT DE SILICONE ROUGE À HAUTE TEMPÉRATURE RTV W573-0002 (NON FOURNI) OU DU SCELLANT NOIR À HAUTE TEMPÉRATURE MILL PAC W573-0007 (NON FOURNI) À L'EXCEPTION DU RACCORDEMENT DU CONDUIT D'ÉVACUATION À LA BUSE DE L'APPAREIL QUI DOIT ÊTRE SCELLÉ AVEC LE SCELLANT MILL PAC.
SI VOUS UTILISEZ DES COLLIERES POUR TUYAU POUR RACCORDER LES COMPOSANTS D'ÉVACUATION, VOUS DEVEZ AUSSI INSTALLER TROIS VIS POUR VOUS ASSURER QUE LE RACCORDEMENT NE SE DÉFASSE PAS.
NE SERREZ PAS LA GAINÉ FLEXIBLE.
RISQUE D'INCENDIE, D'EXPLOSION OU D'ASPHYXIE. SI L'ENSEMBLE DU SYSTÈME DE CONDUIT D'ÉVENT N'EST PAS ADÉQUATEMENT SOUTENU, IL RISQUE DE FLÉCHIR OU DE SE SÉPARER. UTILISEZ DES SUPPORTS DE CONDUIT ET RACCORDEZ LES SECTIONS DE CONDUITS SELON LES INSTRUCTIONS D'INSTALLATION.
RISQUE D'INCENDIE. ÉVITEZ QUE L'ISOLANT TOUCHE AU CONDUIT D'ÉVACUATION. RETIREZ L'ISOLANT POUR PERMETTRE L'INSTALLATION DE L'ÉCRAN PROTECTEUR DU GRENIER ET POUR MAINTENIR LES DÉGAGEMENTS AUX MATÉRIEAUX COMBUSTIBLES.

68.2D

4.1 PROTECTION DU MUR ET DU PLAFOND

! AVERTISSEMENT
NE REMPLISSEZ L'ESPACE ENTRE LE CONDUIT D'ÉVENT ET LA CHARPENTE AVEC AUCUN TYPE DE MATÉRIAU. NE BOURREZ PAS D'ISOLANT NI DE MATÉRIEAUX COMBUSTIBLES ENTRE LES ESPACEURS COUPE-FEU DU PLAFOND. CONSERVEZ TOUJOURS LES DÉGAGEMENTS REQUIS AUTOUR DES CONDUITS D'ÉVENT ET L'ASSEMBLAGE DE L'ESPACEUR COUPE-FEU. INSTALLEZ LES ÉCRANS MURAUX ET LES ESPACEURS COUPE-FEU TEL QUE SPÉCIFIÉ. SI VOUS NE GARDEZ PAS L'ISOLANT OU TOUT AUTRE MATÉRIAU À L'ÉCART DU CONDUIT D'ÉVENT, UN RISQUE D'INCENDIE POURRAIT S'ENSUIVRE.

70.1

Pour une performance optimale de l'appareil, toutes les courses horizontales devraient avoir une élévation minimale de 1/4" (6,4mm) par pied (0,9m) lorsque vous utilisez un conduit flexible. Afin d'assurer un fonctionnement sécuritaire et adéquat de l'appareil, vous devez observer les instructions d'évacuation à la lettre.

Pour les dégagements aux matériaux combustibles du conduit d'évacuation, voir la section « OSSATURE ».

4.1.1 INSTALLATION HORIZONTALE

⚠ AVERTISSEMENT

**L'ESPACEUR COUPE-FEU DOIT ÊTRE INSTALLÉ AVEC L'ÉCRAN PROTECTEUR ORIENTÉ VERS LE HAUT.
LA TERMINAISON NE DOIT PAS ÊTRE ENCHÂSSÉE DANS LE MUR OU LE REVÊTEMENT EXTÉRIEUR
PLUS QUE L'ÉPAISSEUR DE LA BRIDE DE LA PLAQUE DE MONTAGE.**

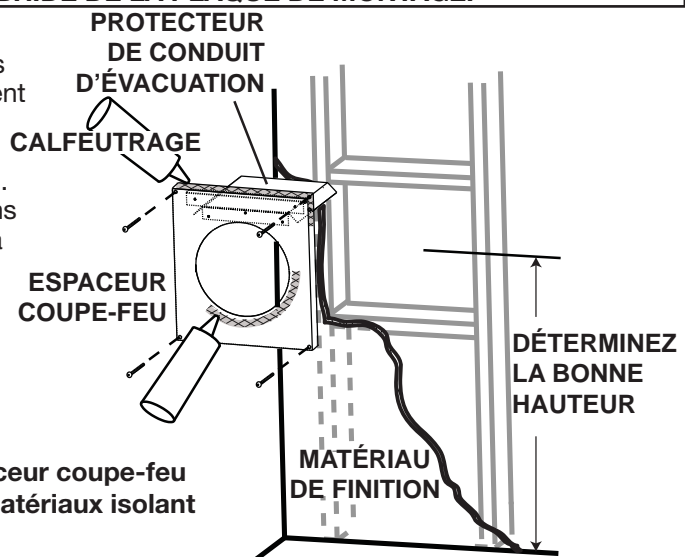
Cette configuration s'applique lorsque le conduit d'évent traverse un mur extérieur. Une fois que vous aurez déterminé la hauteur exacte pour l'emplacement de la terminaison, découpez et charpentez une ouverture dans le mur extérieur (comme illustré) pour permettre l'installation de l'espaceur coupe-feu. Avant de continuer, placez l'espaceur coupe-feu dans l'ouverture pour vous assurer que les supports sur la surface arrière soient placés contre la face intérieure de la pièce de charpente horizontale.

L'écran protecteur peut-être taillé pour des murs combustibles qui ont moins de 8 1/2" (215,9mm) de profond, mais doit se prolonger sur toute la profondeur du mur combustible.

NOTE : Ne remplir pas l'espace d'air entre l'espaceur coupe-feu et le mur extérieur avec n'importe quel type de matériaux isolant (e.x., mousse de pulvérisation).

A. Appliquez un joint de calfeutrage (non fourni) tout autour de la bordure de la face intérieure de l'espaceur coupe-feu, installez l'espaceur coupe-feu contre le trou et fixez à l'aide des quatre vis (fournies dans le sac de votre manuel).

B. Une fois que le conduit d'évent est en place, appliquez du scellant à haute température rouge RTV W573-0002 (non fourni) entre le conduit d'évent et l'espaceur coupe-feu.



20.2C

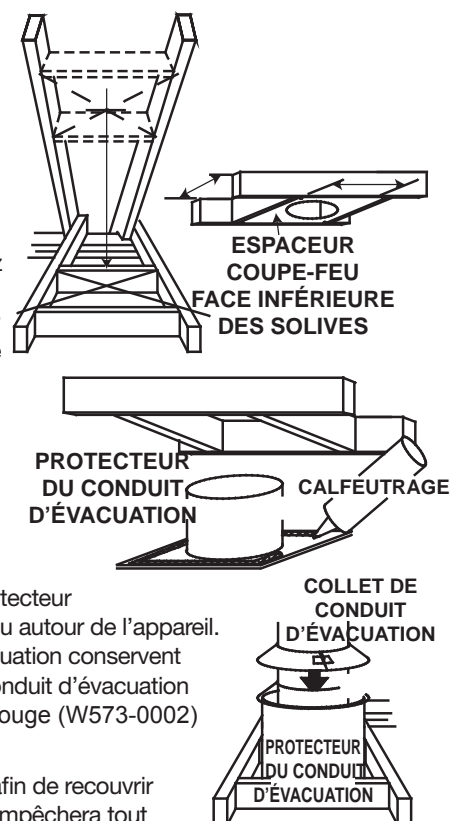
4.1.2 INSTALLATION VERTICALE

Cette configuration s'applique lorsque l'évacuation se fait à travers un toit. Des ensembles d'installation pour les différentes pentes de toit sont disponibles chez votre détaillant autorisé. Voir la section « Accessoires » pour commander l'ensemble spécifique dont vous avez besoin.

A. Une fois que vous aurez déterminé l'emplacement de la terminaison, découpez et charpentez une ouverture dans le plafond et le toit pour laisser le dégagement minimal de 1" (25,4mm) entre le conduit d'évent et tout matériau combustible. Essayez de positionner le conduit d'évent à mi-chemin entre deux solives pour ne pas être obligé de les couper. Utilisez du fil à plomb pour aligner le centre des ouvertures. Un protecteur de conduit d'évacuation empêchera tout matériau, tel que l'isolant, de remplir l'espace vide de 1" (25,4mm) autour de l'évent. Fixez des entretoises entre les solives pour assurer un support additionnel.

B. Appliquez un joint de calfeutrage (non fourni) sur la charpente ou sur le protecteur de conduit d'évacuation Wolf Steel ou l'équivalent (dans le cas d'un plafond fini) et fixez le protecteur de conduit d'évacuation de façon à recouvrir l'ouverture dans le plafond. Un espaceur coupe-feu doit être fixé à la base de chaque ouverture charpentée dans un toit ou un plafond par lequel traverse le système d'évacuation. Appliquez un joint de calfeutrage tout autour et placez un espaceur coupe-feu par-dessus le protecteur de conduit d'évacuation pour empêcher l'arrivée d'air froid dans la pièce ou autour de l'appareil. Assurez-vous que l'espaceur coupe-feu et le protecteur de conduit d'évacuation conservent le dégagement nécessaire aux matériaux combustibles. Une fois que le conduit d'évacuation est en place, appliquez une scellant Mill Pac (W573-0007) ou Silicone Rouge (W573-0002) (non fourni) entre le conduit d'évacuation et l'espaceur coupe-feu.

C. Dans le grenier, faites glisser le collet de conduit d'évacuation vers le bas afin de recouvrir l'extrémité ouverte du protecteur de conduit d'évacuation et serrez. Ceci empêchera tout matériau, tel que l'isolant, de remplir l'espace vide de 1 po (25,4mm) autour de l'évent.



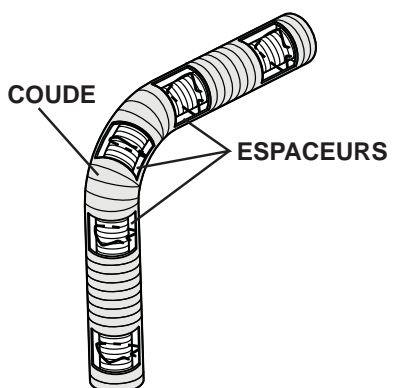
21.1B

4.2 UTILISATION DE COMPOSANTS FLEXIBLES D'ÉVACUATION

⚠ AVERTISSEMENT

NE LAISSEZ PAS LA GAINÉ FLEXIBLE SE TASSER CONTRE LES COURSES HORIZONTALES OU VERTICALES ET LES COUDES. GARDEZ-LA TENDUE.

DES ESPACEURS SONT FIXÉS À LA GAINÉ FLEXIBLE À INTERVALLES PRÉDÉTERMINÉS AFIN DE GARDER UN ESPACE VIDE AVEC LE CONDUIT EXTÉRIEUR. POUR QUE LE FONCTIONNEMENT SOIT SÉCURITAIRE, UN ESPACE VIDE EST REQUIS. UN ESPACEUR EST REQUIS AU DÉBUT, AU MILIEU ET À LA FIN DE CHAQUE COUDE AFIN DE MAINTENIR CET ESPACE VIDE. N'ENLEVEZ PAS CES ESPACEURS.



Afin d'assurer une opération sécuritaire et adéquate de l'appareil, vous devez observer les instructions d'évacuation à la lettre.

Tous les joints des conduits flexibles intérieurs et extérieurs peuvent être scellés avec le scellant à haute température RTV rouge W573-0002 (non fourni) ou du scellant à haute température Mill Pac W573-0007 (non fourni). Cependant, le raccordement du conduit flexible intérieur à la buse de l'appareil doit être scellé avec le scellant Mill Pac W573-0007 (non fourni).

N'utilisez que les ensembles certifiés de gaines flexibles portant l'inscription :



« Wolf Steel Approved Venting » comme identifié par la gainé flexible extérieure.

22.1A

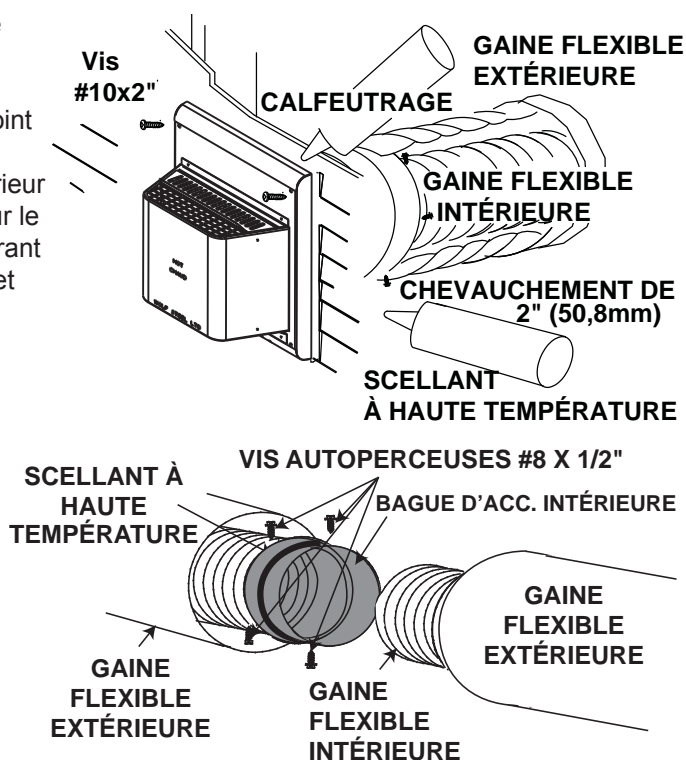
4.2.1 INSTALLATION DE LA TERMINAISON HORIZONTALE

A. Étirez une section de gainé flexible intérieure à la longueur requise en tenant compte de la longueur additionnelle nécessaire pour la surface du mur fini. Appliquez un généreux joint de scellant à haute température Mill Pac W573-0007 (non fourni) sur le manchon intérieur de la terminaison. Glissez la gainé flexible sur le manchon intérieur de la terminaison en assurant un chevauchement minimal de 2" (50,8mm) et fixez à l'aide de six vis #8.

B. Installez la gainé flexible extérieure en la glissant sur le manchon extérieur de la terminaison et fixez à l'aide de six vis #8 avec du scellant à haute température W573-0002 (non fourni).

C. Insérez les gaines dans le coupe-feu tout en conservant le dégagement nécessaire aux matériaux combustibles. En soutenant la terminaison (les inscriptions étant à l'endroit et lisibles), fixez-la au mur extérieur et rendez-la étanche en la scellant avec du calfeutrage (non fourni).

D. Si plus de sections de gainé doivent être utilisées pour atteindre le foyer, raccordez-les ensemble tel qu'illustré. Les courses horizontales et verticales du système d'évacuation doivent être supportées à chaque 3 pieds (0,9m) approximativement. Utilisez des supports incombustibles afin de maintenir le dégagement aux matériaux combustibles.



La plaque de montage de la terminaison ne doit pas être enchâssée dans le mur ou le parement extérieur sans excéder la profondeur de la bride.

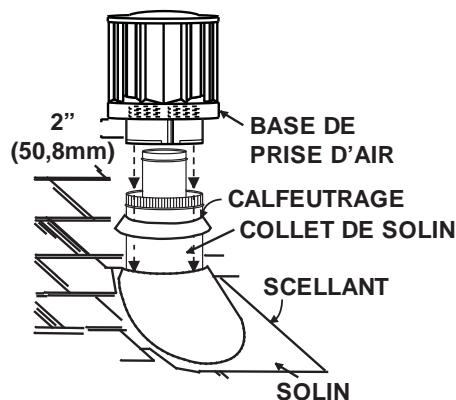
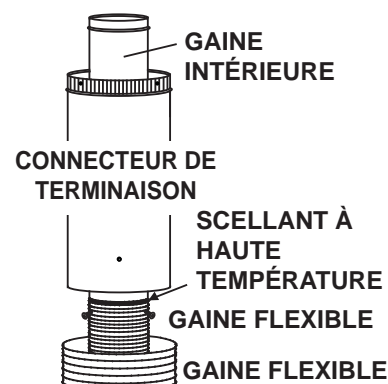
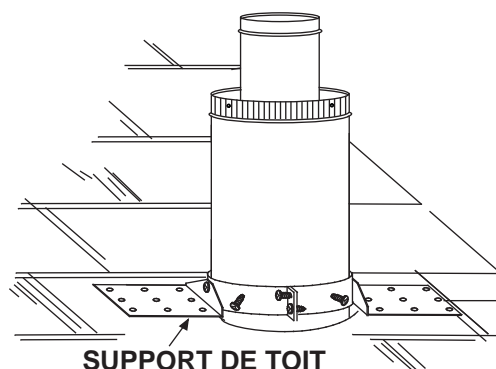
23.4A

4.2.2 INSTALLATION DE LA TERMINAISON VERTICALE

! AVERTISSEMENT

CONSERVEZ UN ESPACE MINIMAL DE 2" (51mm) ENTRE LA BASE DE LA PRISE D'AIR ET LE COLLET DE SOLIN.

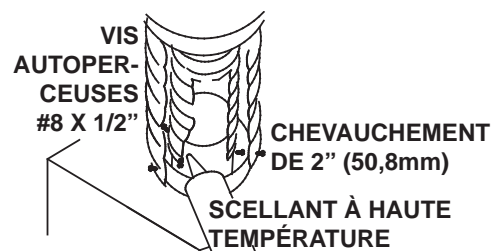
- A. Fixez le support de toit au toit à l'aide des vis fournies. Le support de toit est optionnel. Dans ce cas, l'évent doit être supporté adéquatement soit en utilisant une méthode alternative se conformant aux normes des autorités compétentes, soit en utilisant le support de toit optionnel.
- B. Étirez la gaine flexible intérieure à la longueur requise. Glissez la gaine flexible sur le manchon intérieur du connecteur de terminaison en assurant un chevauchement minimal de 2" (51mm) et fixez à l'aide de trois vis #8. Scellez en appliquant un généreux joint de scellant à haute température W573-0007 (non fourni).
- C. Installez la gaine flexible extérieure de la même façon et scellez en appliquant un généreux joint de scellant à haute température W573-0002 (non fourni).
- D. Faites passer le montage du connecteur de terminaison/gaines flexibles à travers le toit. La terminaison doit être verticale et d'aplomb. Fixez le connecteur de terminaison au support de toit en vous assurant que le dessus de la terminaison excède le côté le plus élevé du toit d'au moins 16" (40,6cm) une fois fixée.
- E. Enlevez les clous des bardeaux sur le dessus et les côtés de la cheminée. Placez le solin par-dessus le connecteur de terminaison en laissant un minimum de 3/4" (19mm) de connecteur de terminaison visible au-dessus du haut du solin. Glissez le solin sous les côtés et le bord supérieur des bardeaux. Assurez-vous que le connecteur de terminaison est bien centré dans le solin, en laissant une marge de 3/4" (19mm) tout autour. Fixez-le au toit. Ne clouez pas à travers la partie inférieure du solin. Imperméabilisez-le en le scellant avec du calfeutrage.
- F. Si possible, recouvrez les côtés et le bord supérieur du solin avec des matériaux de couverture.
- G. Appliquez un généreux joint de calfeutrage à l'épreuve de l'eau à 2" (51mm) au-dessus du solin. Installez le collet de solin autour de la terminaison et glissez-le jusqu'à la ligne de calfeutrage. Serrez afin d'assurer l'étanchéité entre la terminaison et le collet.
- H. Si plus de sections de gaine doivent être utilisées pour atteindre le foyer, voir la section « INSTALLATION DE LA TERMINAISON HORIZONTALE ».



24.2A

4.2.3 RACCORDEMENT DES ÉVENTS À L'APPAREIL

- A. Raccordez la collet d'évacuation à l'appareil. Fixez avec un minimum de trois vis #8. Scellez le joint et les têtes de vis avec le scellant à haute température Mill-Pac W573-0007 (non fourni).
- B. Raccordez la gaine flexible à l'appareil. Fixez et scellez les joints à l'aide du scellant à haute température et d'au moins huit vis.



28.1D

4.3 INSTALLATION DANS UNE MAISON MOBILE

Cet appareil doit être effectuée en respectant les directives du fabricant et le Manufactured Home Construction and Safety Standard, Title 24 CFR, Part 3280, aux États-Unis, ou les normes actuelles pour les maisons mobiles, CAN/CSA Z240 SÉRIE MH, au Canada. Cet appareil ne doit être utilisé qu'avec le type de gaz indiqué sur la plaque d'homologation. Un ensemble de conversion est fourni avec l'appareil pour maison mobile.

Cet appareil homologué pour les maisons mobiles et préfabriquées possède des éléments de fixation. L'appareil est muni de deux trous de ¼" (6,4mm) de diamètre, situés aux coins avant, gauche et droit de la base. Fixez à l'aide de vis #10 à tête hexagonale insérées dans les trous de la base. Pour les produits autoportante, contactez votre revendeur agréé / distributeur permettant la sécurisation kit. Lors d'une installation dans une maison mobile, l'appareil doit être fixé au plancher. Éteignez toujours la veilleuse et l'alimentation en gaz à la source avant de déplacer la maison mobile. Après avoir déplacé la maison mobile et avant d'allumer l'appareil, assurez-vous que les bûches sont placées correctement.

Cet appareil est certifié pour être installé dans une maison mobile installée de façon permanente, sauf si les codes locaux l'interdisent. Cet appareil ne doit être utilisé qu'avec le type de gaz indiqué sur la plaque d'homologation. On ne peut utiliser cet appareil avec d'autres types de gaz, sauf si un ensemble de conversion certifié est utilisé.


Ensembles de conversion

L'appareil pour maison mobile peut être converti au gaz naturel (GN) ou au propane (P).

Pour effectuer une conversion, veuillez consulter votre détaillant autorisé.

29.1B

4.4 BRANCHEMENT DU GAZ

 AVERTISSEMENT
RISQUE D'INCENDIE, D'EXPLOSION OU D'ASPHYXIE. ASSUREZ-VOUS QU'IL N'Y AIT AUCUNE SOURCE D'ALLUMAGE COMME DES ÉTINCELLES OU UNE FLAMME NUE.
SOUTENEZ LE CONTRÔLE DU GAZ LORSQUE VOUS ATTACHEZ LE TUYAU POUR ÉVITER DE PLIER LA CONDUITE DE GAZ.
ALLUMEZ TOUJOURS LA VEILLEUSE, QUE CE SOIT POUR LA PREMIÈRE FOIS OU LORSQUE L'APPROVISIONNEMENT EN GAZ EST ÉPUISÉ, AVEC LA PORTE VITRÉE OUVERTE OU RETIRÉE. LA PURGE DOIT ÊTRE EFFECTUÉE PAR UN TECHNICIEN QUALIFIÉ. ASSUREZ-VOUS QUE L'ARRIVÉE DE GAZ AU BRÛLEUR EST CONTINUE AVANT DE FERMER LA PORTE. ASSUREZ-VOUS D'UNE VENTILATION ADÉQUATE. POUR LES EMPLACEMENTS DE L'ENTRÉE DU GAZ ET DE L'ENTRÉE ÉLECTRIQUE, VOIR LA SECTION « DIMENSIONS ».
LORSQUE LE BRANCHEMENT EST TERMINÉ, TOUS LES RACCORDS DE GAZ DOIVENT SE TROUVER À L'INTÉRIEUR DU FOYER.
LES PRESSIONS ÉLEVÉES ENDOMMAGERONT LA SOUPAPE. L'ALIMENTATION EN GAZ DOIT ÊTRE DÉBRANCHÉE PENDANT LES ESSAIS DE PRESSION DE CE SYSTÈME LORSQUE LES PRESSIONS D'ESSAI EXCÈDENT ½ LB/PO² (3,5 KPA).
LES RÉGLAGES DE LA SOUPAPE ONT ÉTÉ FAITS EN USINE; NE LES MODIFIEZ PAS.

L'installation et l'entretien doivent être effectués par un installateur qualifié.

- A. Mettez l'appareil en place et fixez-le.
- B. Si l'appareil est muni d'un raccord flexible, celui-ci est conçu pour recevoir une conduite de gaz de 1/2". Sans raccord flexible, l'appareil est conçu pour recevoir une conduite de gaz de 3/8". L'appareil est muni d'une soupape d'arrêt manuelle pour fermer l'alimentation en gaz.
- C. Branchez le gaz en conformité avec les codes locaux. En l'absence de codes locaux, l'installation doit être conforme au Code d'installation du gaz CAN/CSA-B149.1 dans sa version pour le Canada ou le National Fuel Gas Code, ANSI Z223.1 / NFPA 54 pour les États-Unis.
- D. Lorsque vous manipulez des conduites de gaz, soutenez la soupape de gaz pour éviter que les conduites ne se plient.
- E. Le raccord flexible de l'alimentation en gaz devrait être suffisamment mobile pour permettre de placer l'assemblage du brûleur sur le côté.
- F. Vérifiez pour des fuites de gaz en appliquant une solution d'eau savonneuse. **N'utilisez pas une flamme nue.**

30.1A

5.0 OSSATURE

FR

! AVERTISSEMENT	
RISQUE D'INCENDIE!	
AFIN D'ÉVITER LA POSSIBILITÉ QUE DE L'ISOLATION OU UN COUPE-VAPEUR ENTRENT EN CONTACT AVEC L'EXTÉRIEUR DU CAISSON, IL EST CONSEILLÉ D'INSTALLER L'APPAREIL CONTRE DES MURS FINIS (C.-À-D. PANNEAU DE GYPSE) COMME TOUT AUTRE MUR DE LA MAISON. CECI ASSURERA QUE LE DÉGAGEMENT AUX MATÉRIAUX COMBUSTIBLES EST MAINTENU.	
NE FAITES PAS D'ENTAILLES À L'OSSATURE AUTOUR DES ESPACEURS. NE PAS MAINTENIR LES DÉGAGEMENTS PEUT CAUSER UNE SURCHAUFFE ET UN INCENDIE. EMPÊCHEZ TOUT CONTACT AVEC DE L'ISOLANT QUI S'AFFAISSE, AVEC L'OSSATURE OU AVEC TOUT AUTRE MATÉRIAU COMBUSTIBLE. BLOQUEZ L'ENTRÉE DE L'ENCEINTE POUR EMPÊCHER L'INFILTRATION D'ISOLANT SOUFFLÉ. ASSUREZ-VOUS QUE L'ISOLATION ET LES AUTRES MATÉRIAUX SONT BIEN FIXÉS.	
LORSQUE VOUS CONSTRUISEZ L'ENCEINTE, PRÉVOYEZ L'ÉPAISSEUR DES MATÉRIAUX DE FINITION POUR MAINTENIR LES DÉGAGEMENTS. SI L'OSSATURE OU LES MATÉRIAUX DE FINITION SE TROUVENT À UNE DISTANCE INFÉRIEURE À CELLE INDICQUÉE, ILS DOIVENT ÊTRE FAITS ENTIÈREMENT DE MATÉRIAUX NON COMBUSTIBLES. LES MATÉRIAUX FAITS ENTIÈREMENT D'ACIER, DE FER, DE BRIQUE, DE TUILE, DE BÉTON, D'ARDOISE, DE VERRE OU DE PLÂTRE, OU D'UNE COMBINAISON DE CES MATÉRIAUX, SONT APPROPRIÉS. LES MATÉRIAUX RÉPONDANT À LA NORME ASTM E 136, MÉTHODE DE TEST STANDARD DU COMPORTEMENT DES MATÉRIAUX DANS UNE FOURNAISE AVEC TUBE VERTICAL À 1382° F (750°C), ET À LA NORME UL763 SONT CONSIDÉRÉS COMME ÉTANT DES MATÉRIAUX NON COMBUSTIBLES.	
AFIN D'ÉVITER UN RISQUE D'INCENDIE, LES DÉGAGEMENTS MINIMAUX AUX MATÉRIAUX COMBUSTIBLES DOIVENT ÊTRE MAINTENUS.	
L'ENCEINTE DE L'APPAREIL DOIT RESPECTER LA HAUTEUR MINIMALE REQUISE. MESUREZ À PARTIR DE LA BASE DE L'APPAREIL.	
SI DES ENSEMBLES DE MONTANTS EN ACIER AVEC PANNEAU DE CIMENT SONT FOURNIS, OU SPÉCIFIÉ DANS LES INSTRUCTIONS D'INSTALLATION, ILS DOIVENT ÊTRE INSTALLÉS.	
SI SPÉCIFIÉ DANS LES INSTRUCTIONS D'INSTALLATION, LES MATÉRIAUX DE FINITION DOIVENT ÊTRE NON-COMBUSTIBLES PLACER ÉCLAT AVEC LE FACE DE L'APPAREIL ÉTENDUE DU SOMMET DE L'APPAREIL COMME LE CONSEIL DE CIMENT, LE CARREAU EN CERAMIQUE, LE MARBRE, ETC. NE PAS UTILISÉ DES BÛCHES OU LE CLOISON SECHE. N'IMPORTE QUEL FEU A ÉVALUÉ DU COLISON SÈCHE N'EST PAS ACCEPTABLE.	

71.1C

L'appareil est installé dans une ouverture rectangulaire.

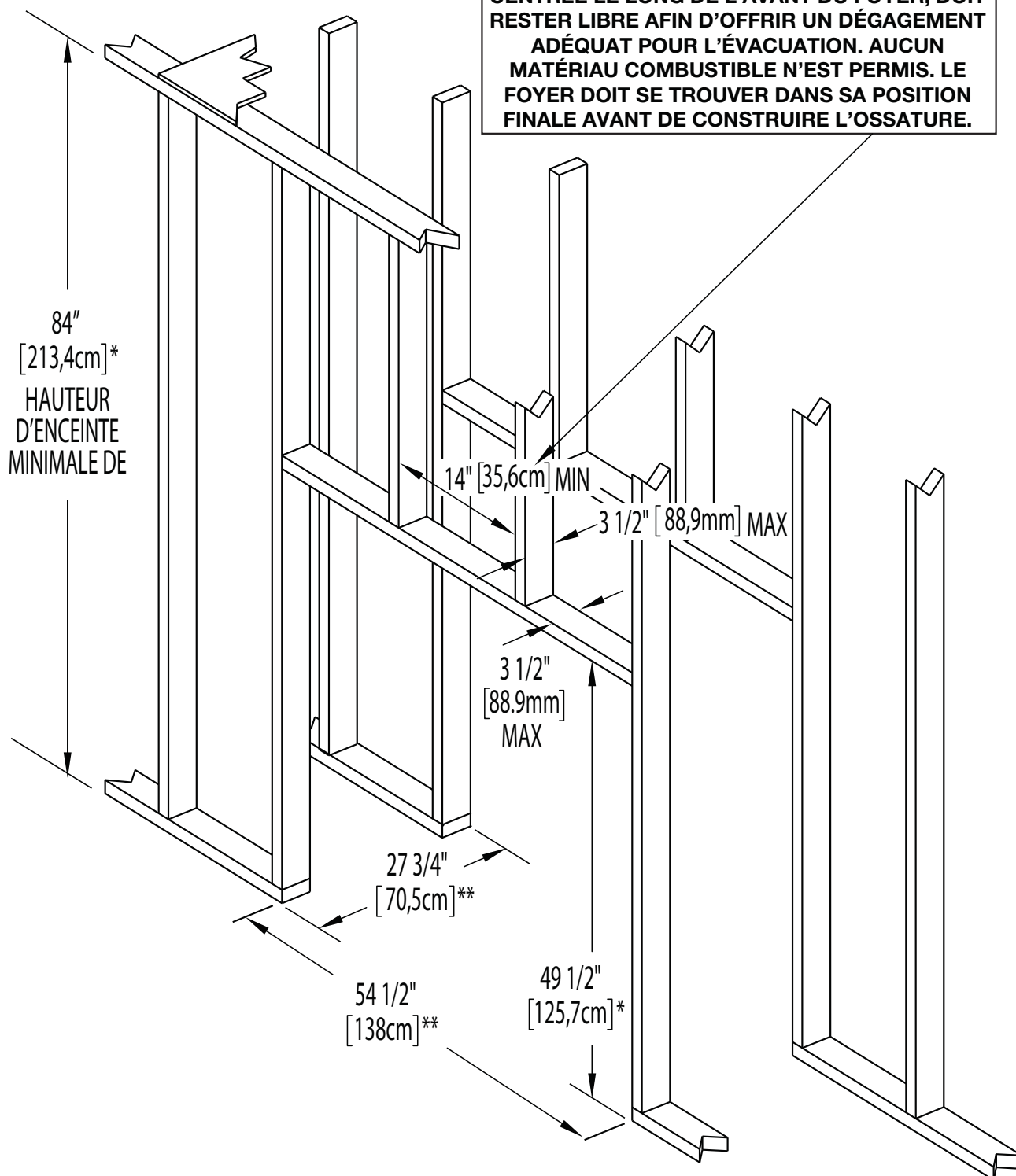
Il est préférable de construire l'ossature après que l'appareil est en place et que le système d'évacuation est installé. Utilisez les deux ensembles d'ossature avec poteaux en acier et le panneau de ciment fournis.

Lorsque vous mettez l'appareil en place, surélevez-le de façon à prévoir l'épaisseur du plancher fini, c.-à-d. tuiles, tapis ou bois franc.



AVERTISSEMENT

NE RIEN CONSTRUIRE DANS CETTE ZONE - CETTE ZONE DE 14" (35,6cm) DE LARGEUR, CENTRÉE LE LONG DE L'AVANT DU FOYER, DOIT RESTER LIBRE AFIN D'OFFRIR UN DÉGAGEMENT ADÉQUAT POUR L'ÉVACUATION. AUCUN MATÉRIAU COMBUSTIBLE N'EST PERMIS. LE FOYER DOIT SE TROUVER DANS SA POSITION FINALE AVANT DE CONSTRUIRE L'OSSATURE.



* Prévoyez l'épaisseur du plancher fini et de la base de protection lorsque vous établissez ces dimensions.

** Lorsque vous construisez l'enceinte, prévoyez l'épaisseur des matériaux de finition pour maintenir les dégagements.

5.1 DÉGAGEMENTS AUX MATÉRIAUX COMBUSTIBLES

Conservez ces dégagements minimaux aux matériaux combustibles :

Ossature de l'appareil :

Utilisez l'ossature avec poteaux en acier fournie.

Contour de finition de l'appareil non combustible :

Façade - 7 5/8" (194mm) sur les côtés de l'ouverture de l'appareil
 - 16 1/16" (40,8cm) du dessus de l'ouverture de l'appareil

Contour de finition de l'appareil combustible :

- 84" (213cm) du bas de l'appareil jusqu'au haut de l'enceinte
 - 2" (50,8mm) du dessus, des côtés et du dessous du conduit d'évacuation*

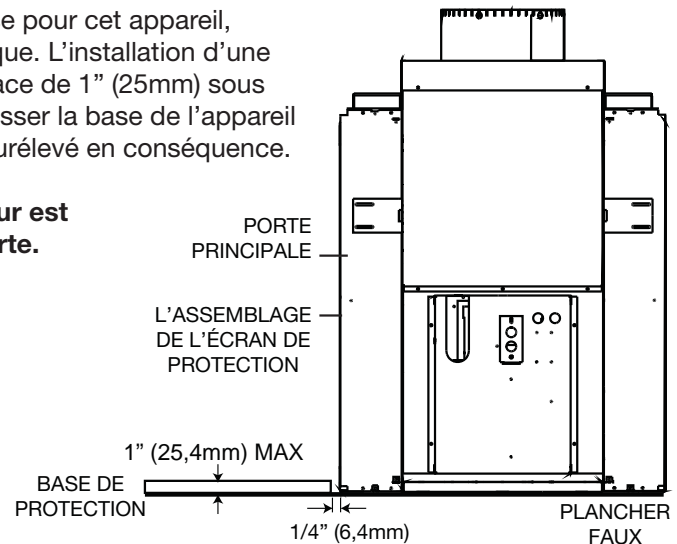
***SECTIONS D'ÉVÉNEMENTS HORIZONTALES :** Un dégagement minimal aux matériaux combustibles de 2" (50,8mm) est requis sur toutes les courses horizontales sauf pour les dégagements dans l'enceinte de l'appareil. Les sections d'événements horizontales dans l'enceinte requièrent un dégagement minimal de 14" (35,6cm) sur le dessus. Voir la section « DÉGAGEMENTS MINIMAUX DE L'ENCEINTE ». Utilisez l'espaceur coupe-feu W010-3364 (fourni).

***SECTIONS D'ÉVÉNEMENTS VERTICALES :** Un dégagement minimal aux matériaux combustibles de 1" (25mm) est requis sur toutes les courses verticales sauf pour les dégagements dans l'enceinte de l'appareil. Les sections d'événements verticales dans l'enceinte requièrent un dégagement minimal de 3" (76,2mm). Voir la section « DÉGAGEMENTS MINIMAUX DE L'ENCEINTE ». Utilisez l'espaceur coupe-feu W010-3364 (fourni).

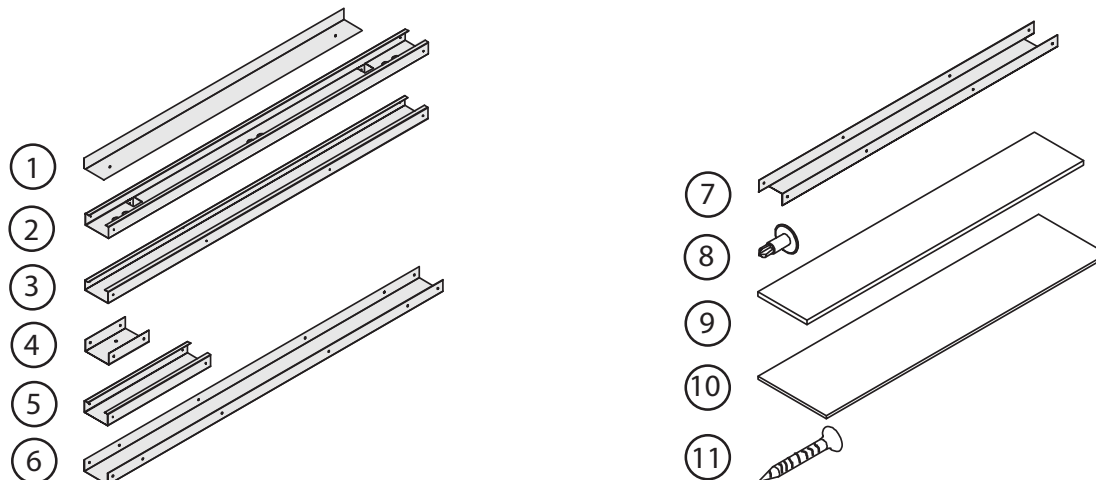
5.2 BASE DE PROTECTION

Bien qu'une base de protection ne soit pas requise pour cet appareil, elle est recommandée pour des raisons d'esthétique. L'installation d'une base de protection de 1" (25mm) masquera l'espace de 1" (25mm) sous l'appareil. La base de protection ne doit pas dépasser la base de l'appareil de plus de 1" (25mm), sinon, l'appareil doit être surélevé en conséquence.

NOTE : Les bases de protection dont l'épaisseur est supérieure à 1" (25mm) nuiront au cadre de porte.



5.3 ENSEMBLE D'OSSATURE AVEC POTEAUX EN ACIER



N° RÉF.	N° PIÈCE	DESCRIPTION	DIMENSIONS	QTÉ
1	W585-0269	ÉCRAN PROTECTEUR DE POTEAU	1" x 2" x 4.4 PI (25mm x 50.8mm x 1.35m)	2
2	W650-0017	POTEAU EXTÉRIEUR EN ACIER	1 1/2" x 3 1/2" x 4.1 PI (38mm x 88.9mm x 1.24m)	4
3	W650-0041	POTEAU INTÉRIEUR EN ACIER	1 1/2" x 3 1/2" x 4.1 PI (38mm x 88.9mm x 1.24m)	4
4	W650-0028	POTEAU INFÉRIEUR EN ACIER	1 1/2" x 3 1/2" x 7 1/2" (38mm x 88.9mm x 190.5mm)	4
5	W650-0020	POTEAU CENTRAL EN ACIER	1 1/2" x 3 1/2" x 13 3/8" (38mm x 88.9mm x 34cm)	4
6	W650-0026	POTEAU SUPÉRIEUR EN ACIER	1 1/2" x 3 1/2" x 4.5 PI (38mm x 88.9mm x 1.4m)	2
7	W650-0027	POTEAU, PLAQUE DE POURTOUR	1 1/2" x 3 1/2" x 3.5 PI (38mm x 88.9mm x 1.06m)	2
8	W570-0024	VIS #8 x 1/2" (13mm)		64
9	W475-0868	PANNEAU DE CIMENT LATÉRAL	1/2" x 7 1/2" x 4.1 PI (13mm x 19.1cm x 1.24m)	4
10	W475-0867	PANNEAU DE CIMENT CENTRAL	1/2" x 15 1/2" x 3.2 PI (13mm x 39.4cm x 0.99m)	2
11	W570-0017	VIS #6 x 1" (25mm)		30

5.3.1 INSIDE FRAME ASSEMBLY

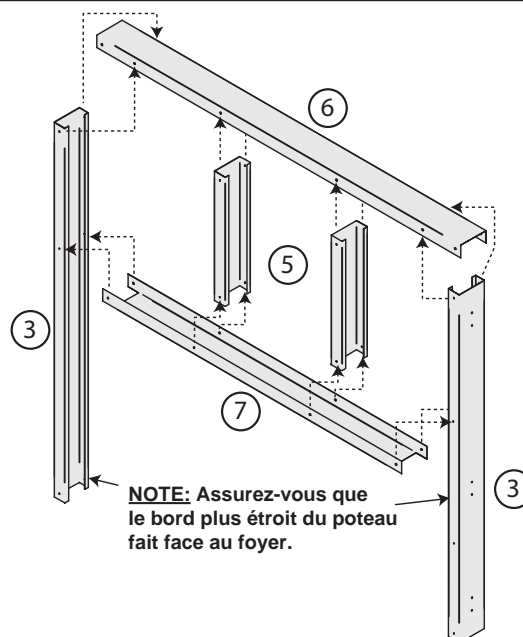
! AVERTISSEMENT

LES BORDS SONT COUPANTS. PORTEZ TOUJOURS DES GANTS LORSQUE VOUS TRAVAILLEZ AVEC DES FEUILLES DE MÉTAL.

A. Placez les poteaux intérieurs en acier (3) et les poteaux centraux en acier (5) sur une grande surface plate.

B. À l'aide des vis fournies (8), attachez le poteau supérieur en acier (6) aux poteaux intérieurs en acier (3) et aux poteaux centraux en acier (5) des deux côtés.

C. Attachez la plaque de pourtour (7) aux poteaux intérieurs en acier (3).



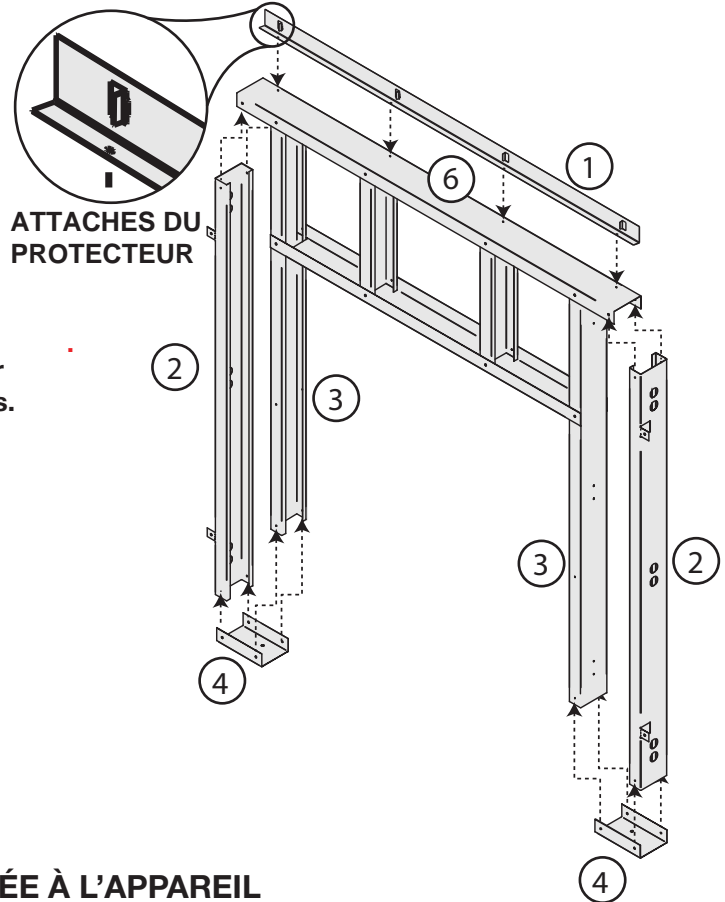
5.3.2 FIXATION DES POTEAUX LATÉRAUX (PATTES)

A. Attachez les poteaux extérieurs en acier (2) en haut du poteau supérieur en acier (6).

B. Fixez les poteaux extérieurs en acier (2) et les poteaux intérieurs en acier (3) aux poteaux inférieurs en acier (4).

C. Attachez l'écran protecteur de poteau (1) au poteau supérieur en acier (6).

NOTE : Les attaches du protecteur de poteau doivent être pliées vers l'avant pour maintenir les dégagements aux matériaux combustibles.

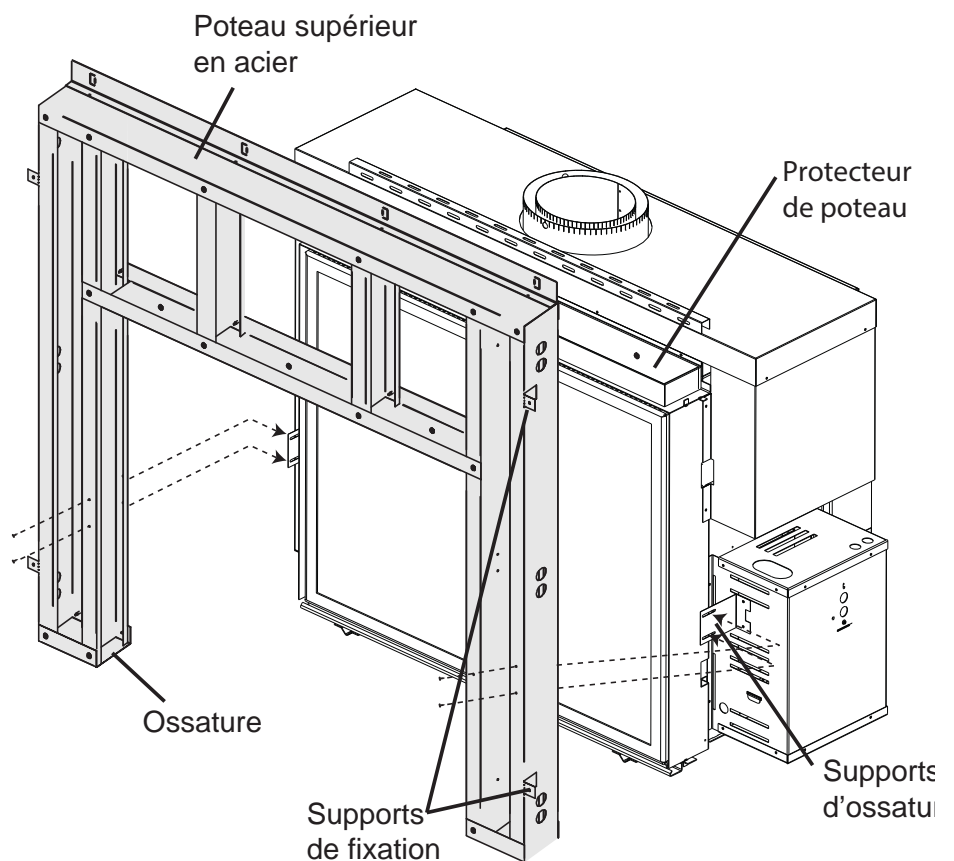


5.3.3 FIXATION DE L'OSSATURE ASSEMBLÉE À L'APPAREIL

A. Alignez l'ossature avec les supports de l'ossature et fixez à l'aide des vis fournies. L'ossature devrait être à égalité avec l'avant du protecteur de poteau.

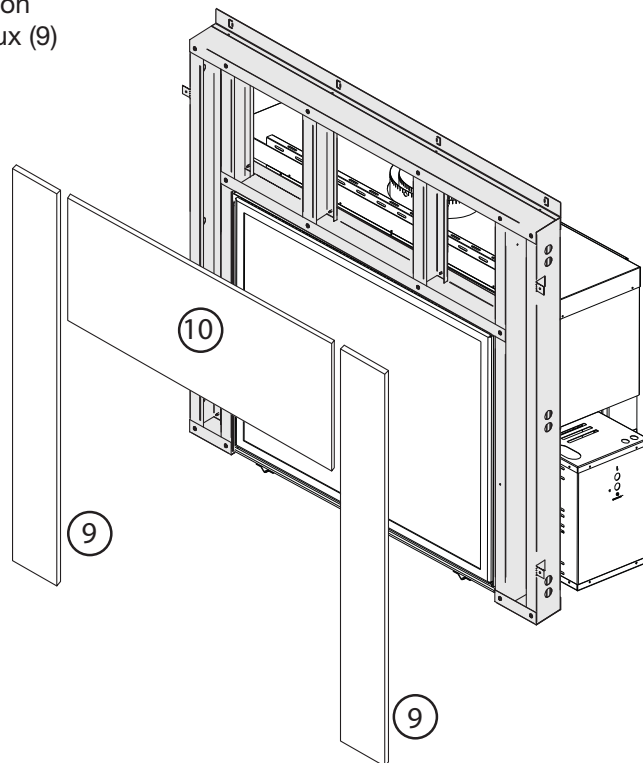
B. Fixez l'ossature au protecteur de poteau.

C. Attachez l'ossature à l'enceinte combustible en pliant les supports de fixation et en les fixant.



5.3.4 INSTALLATION DES PANNEAUX DE BÉTON LATÉRAUX ET CENTRAUX

Lorsque l'ossature est en place, utilisez des vis à cloison sèche (11) pour installer les panneaux de béton latéraux (9) et centraux (10).



FR

5.3.5 ENSEMBLE D'OSSATURE EN ACIER, DEUXIÈME CÔTÉ

Répétez les sections « ENSEMBLE D'OSSATURE INTÉRIEUR » à « INSTALLATION DES PANNEAUX DE BÉTON LATÉRAUX ET CENTRAUX » pour le côté opposé.

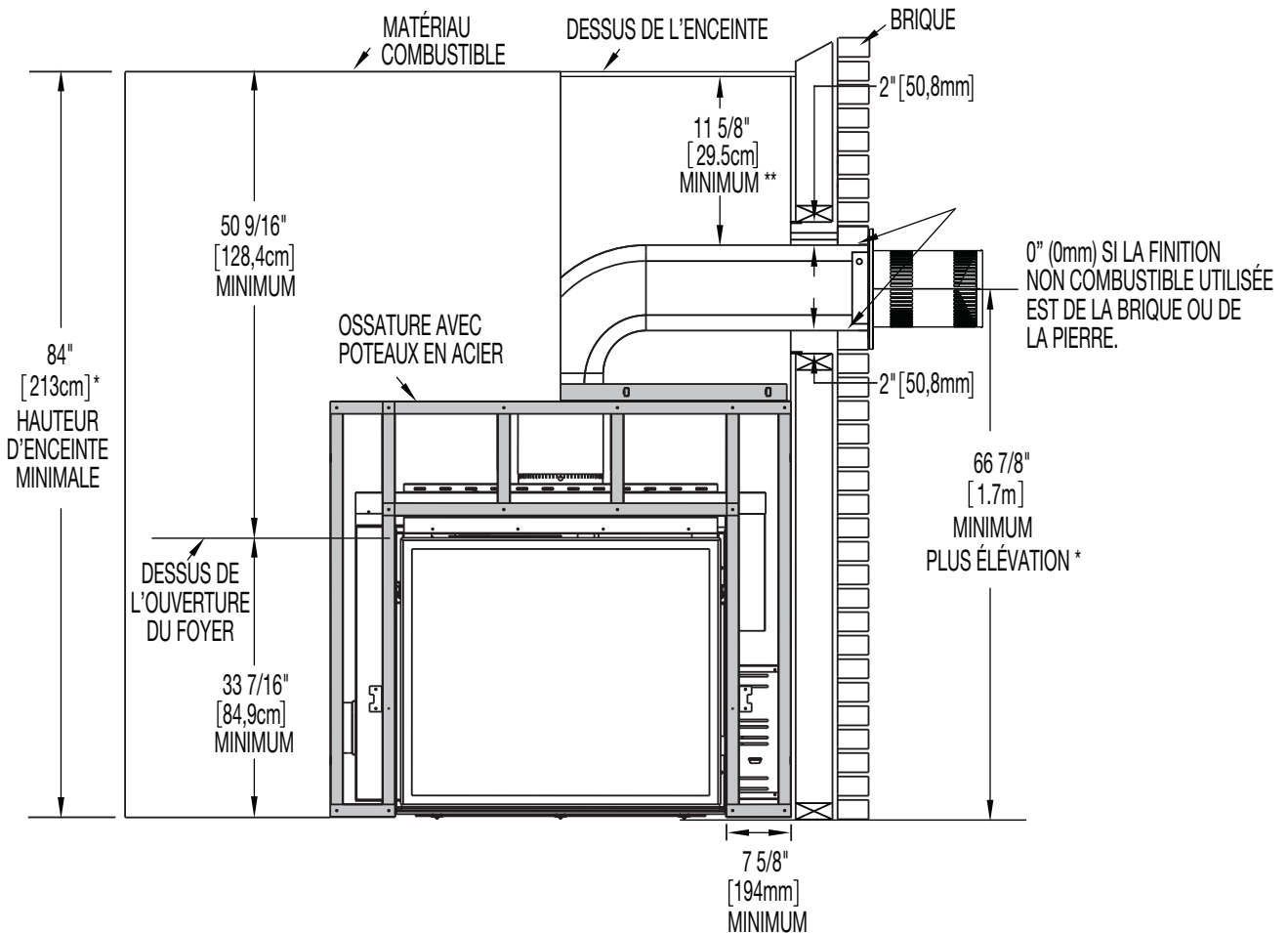
5.4 DÉGAGEMENTS MINIMAUX AUX ENCEINTES COMBUSTIBLES

! AVERTISSEMENT**RISQUE D'INCENDIE!**

LA FAÇADE DE L'APPAREIL DOIT ÊTRE FAITE DE MATÉRIAUX NON COMBUSTIBLES COMME DE LA BRIQUE, DU MARBRE, DU GRANITE, ETC., À CONDITION QUE CES MATÉRIAUX NE COUVRENT PAS L'OUVERTURE DE L'APPAREIL.

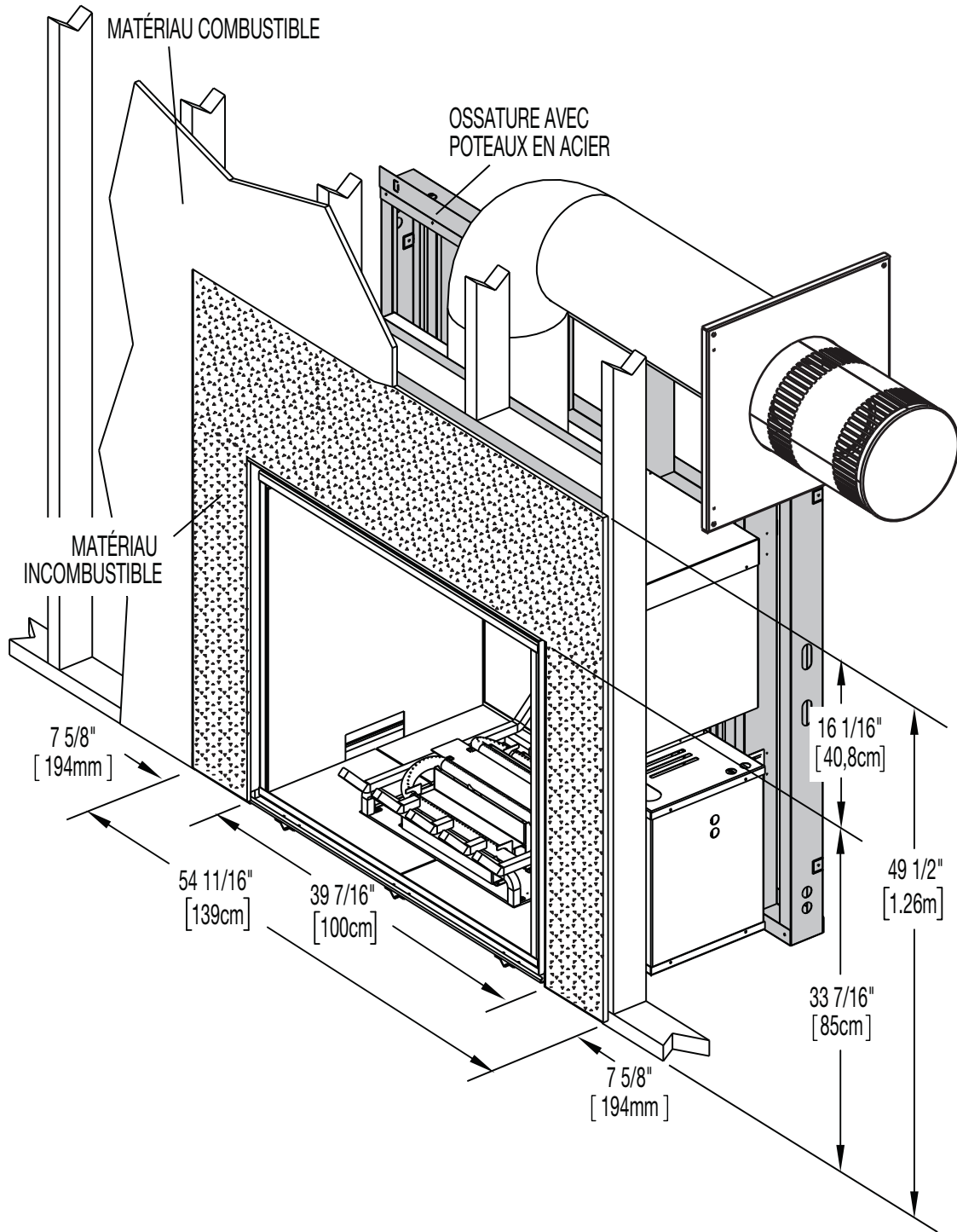
LES ENSEMBLES D'OSSATURE AVEC POTEAUX EN ACIER ET PANNEAU DE CIMENT FOURNIS DOIVENT ÊTRE INSTALLÉS.

IMPORTANT : Cette appareil requies une hauteur d'enceinte minimale de 84" (213cm), mesurée depuis le bas de l'appareil. Afin de respecter les contraintes de température, cet espace doit demeurer sans obstruction. Il est recommandé que l'enceinte soit ventilée dans le haut et le bas afin de faire circuler l'air.



* Consultez la section « ÉVACUATION ».

** **NOTE :** Là où le conduit d'évacuation est enfermé avec l'appareil, à l'intérieur de l'enceinte, toutes les sections verticales doivent avoir un dégagement de 3" (76,2mm) et toutes les sections horizontales doivent avoir un dégagement de 11 5/8" (29,5cm) aux matériaux combustibles. Pour tout autre dégagement à l'intérieur de l'enceinte, y compris l'endroit où le conduit d'évacuation sort de l'enceinte, un dégagement de 1" (25,4mm) à partir des sections verticales et de 2" (50,8mm) à partir des sections horizontales est nécessaire.



5.5 DÉGAGEMENTS MINIMAUX DE LA TABLETTE

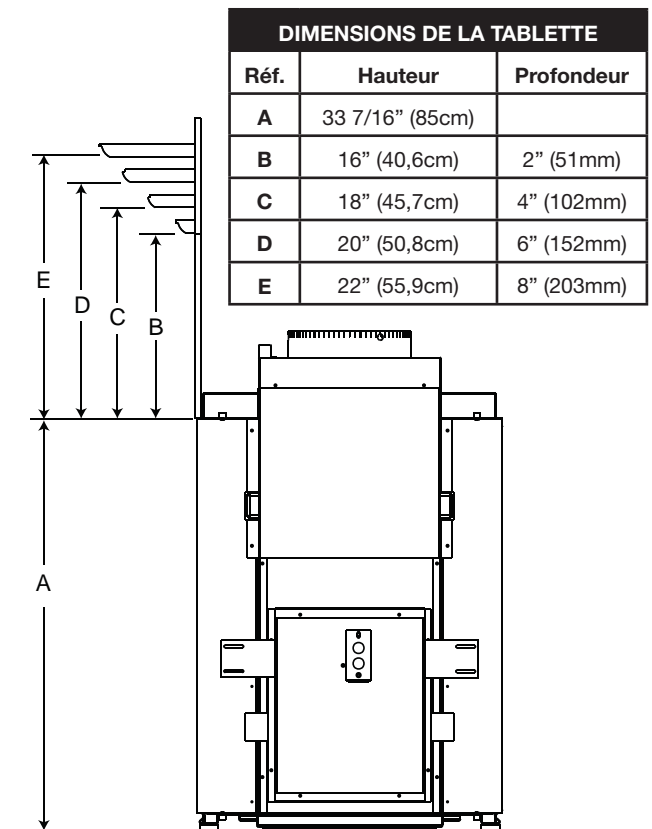
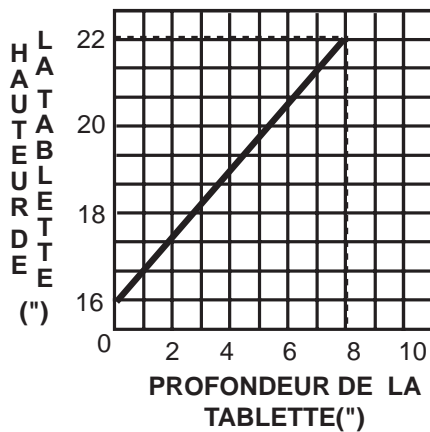
! AVERTISSEMENT

RISQUE D'INCENDIE. CONSERVEZ TOUS LES DÉGAGEMENTS AUX MATÉRIEAUX COMBUSTIBLES SPÉCIFIÉS. NE PAS RESPECTER CES INSTRUCTIONS PEUT CAUSER UN INCENDIE OU UNE SURCHAUFFE. ASSUREZ-VOUS QUE TOUS LES DÉGAGEMENTS (ARRIÈRE, CÔTÉS, DESSUS, ÉVENTS, TABLETTE, FAÇADE, ETC.) SONT RESPECTÉS À LA LETTRE.

LORSQUE VOUS UTILISEZ DE LA PEINTURE OU DU VERNIS COMME FINITION POUR VOTRE TABLETTE, ASSUREZ-VOUS QU'ILS SOIENT RÉSISTANTS À LA CHALEUR AFIN DE PRÉVENIR LA DÉCOLORATION.

73.1

Le dégagement d'une tablette combustible a l'appareil peut varier selon la profondeur de la tablette. Utilisez le graphique pour vous aider à déterminer le dégagement nécessaire.



6.0 FINITION

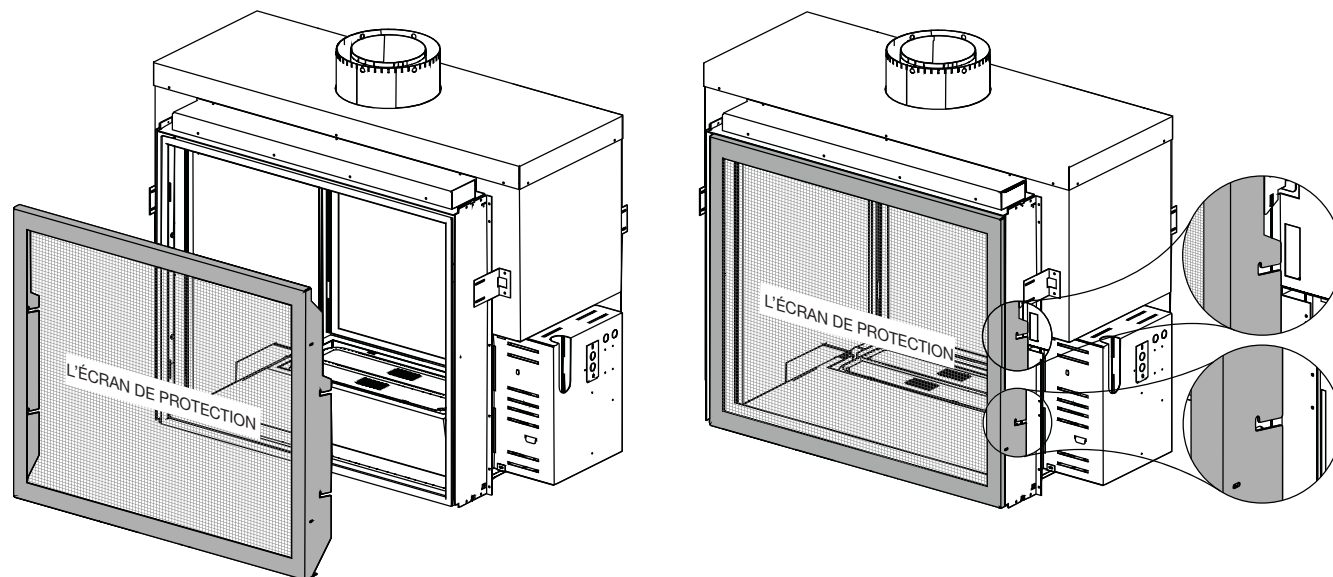
 AVERTISSEMENT RISQUE D'INCENDIE!
N'OBSTRUEZ JAMAIS L'OUVERTURE SUR LE DEVANT DE L'APPAREIL.
LA FAÇADE DE L'APPAREIL DOIT ÊTRE FAITE DE MATÉRIAUX INCOMBUSTIBLES COMME DE LA BRIQUÉ, DU MARBRE, DU GRANITE, ETC., À CONDITION QUE CES MATÉRIAUX NE SE TROUVENT PAS EN DEÇÀ DE LA DIMENSION SPÉCIFIÉE TEL QU'ILLUSTRÉ. COMME ALTERNATIVE, VOUS POUVEZ UTILISER LE PANNEAU DE GYPSE COMME FINITION POUR VOTRE APPAREIL, VOIR LES ILLUSTRATIONS À SUIVRE.
NE FRAPPEZ PAS, NE CLAQUEZ PAS ET N'ÉGRATIGNEZ PAS LA PORTE VITRÉE. NE FAITES PAS FONCTIONNER L'APPAREIL LORSQUE LA PORTE VITRÉE EST ENLEVÉE, FISSURÉE, BRISÉE OU ÉGRATIGNÉE.
LES MATÉRIAUX DE FAÇADE OU DE FINITION NE DOIVENT JAMAIS EMPIÉTER SUR L'OUVERTURE DE L'APPAREIL.
L'ASSEMBLAGE DE LA PORTE EST CONÇU POUR PIVOTER VERS L'AVANT DE L'ÉVACUATION D'UN SURPLUS DE PRESSON QUI POURRAIT SURVENIR. LES MATÉRIAUX DE FINITION OU TOUT AUTRE MATÉRIAU NE DOIVENT PAS EMPIÉTER SUR L'OUVERTURE ENTOURANT LA PORTE PUISQU'IL NUIRONT AU FONCTIONNEMENT DE LA PORTE LORS DE L'ÉVACUATION D'UN SURPLUS DE PRESSON

72.6

6.1 INSTALLATION/ENLÈVEMENT DE L'ÉCRAN DE PROTECTION

Une barrière conçu à réduire le risque de brûlures à partir de le chaude la vitre est à condition que avec l'appareil et sera être installés.

Soulevez l'assemblage de l'écran de protection hors des quatre goupilles, tirer la garniture avant et en haut puis hors de l'appareil.



Inversez ces étapes pour réinstaller l'écran de protection et la porte. Assurez la ecran de protection est correctement installé.

6.2 INSTALLATION/ENLÈVEMENT DE LA PORTE

! AVERTISSEMENT

LA VITRE PEUT ÊTRE CHAUDE, NE TOUCHEZ PAS LA VITRE JUSQU'À CE QU'ELLE AIT REFROIDI.

SI ÉQUIPÉ AVEC LES LOQUETS DE PORTE QUI FONT PARTIE D'UN DISPOSITIF DE SÉCURITÉ ET DOIVENT ÊTRE ADÉQUATEMENT VERROUILLÉS. NE FAITES PAS FONCTIONNER L'APPAREIL LORSQUE LES LOQUETS SONT DÉVERROUILLÉS.

LES MATÉRIAUX DE FAÇADE ET DE FINITION NE DOIVENT PAS NUIRE À LA CIRCULATION DE L'AIR DANS LES OUVERTURES D'AIR ET LES PERSIENNES, NI AU FONCTIONNEMENT DES PERSIENNES OU DES PORTES. ILS NE DOIVENT PAS NON PLUS ENTRAVER L'ACCÈS POUR L'ENTRETIEN. RESPECTEZ TOUS LES DÉGAGEMENTS AUX MATÉRIAUX COMBUSTIBLES.

AVANT D'ENLEVER LA PORTE, ÉTEIGNEZ L'APPAREIL ET ATTENDEZ QUE CE DERNIER SOIT FROID AU TOUCHER. LES PORTES SONT LOURDES ET FRAGILES; MANIPULEZ AVEC SOIN.

75.1A

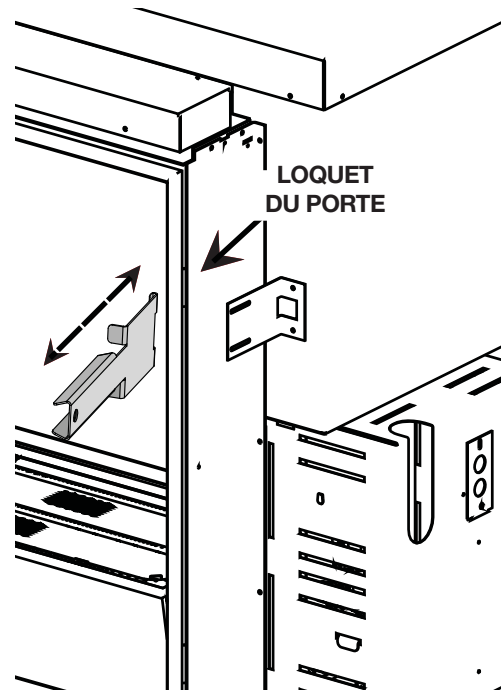
! AVERTISSEMENT

N'INSÉRER PAS VOS DOIGTS DANS L'ESPACE ENTRE LA PORTE ET LE BORD D'ENCADREMENT, IL Y A UN RISQUE DE BLESSURE À CAUSE DU MÉCANISME

Avant d'enlever la porte, l'assemblage de l'écran de protection doit être enlevé, voir la section « INSTALLATION/ENLÈVEMENT DE L'ÉCRAN DE PROTECTION ».

- A. Localiser les loquets de porte: il y a un au côté gauche et un au droite entre la porte et le bord d'encadrement.
- B. Utiliser le clé de loquet sur le loquet de porte. Tirer le loquet en avant et vers le haut pour déclencher les loquets de porte.
- C. Pencher le sommet du porte en avant jusqu'à ce que vous pouvez vous emparer des côtés de la porte. Elever la porte hors du support inférieure.
- D. Pour installer la porte, soulever la porte et placez-le dans le support inférieure, inclinez le haut de la porte en position fermé, tenez la porte en place et puis engager les loquets. **NOTE: Lorsque les loquets sont verrouillés, vérifiez que la porte est bien fixée et qu'elle ne tombera pas avant de la lâcher.**

Reverse these steps to re-install the door and trim with safety screen. Ensure the safety screen is installed correctly.



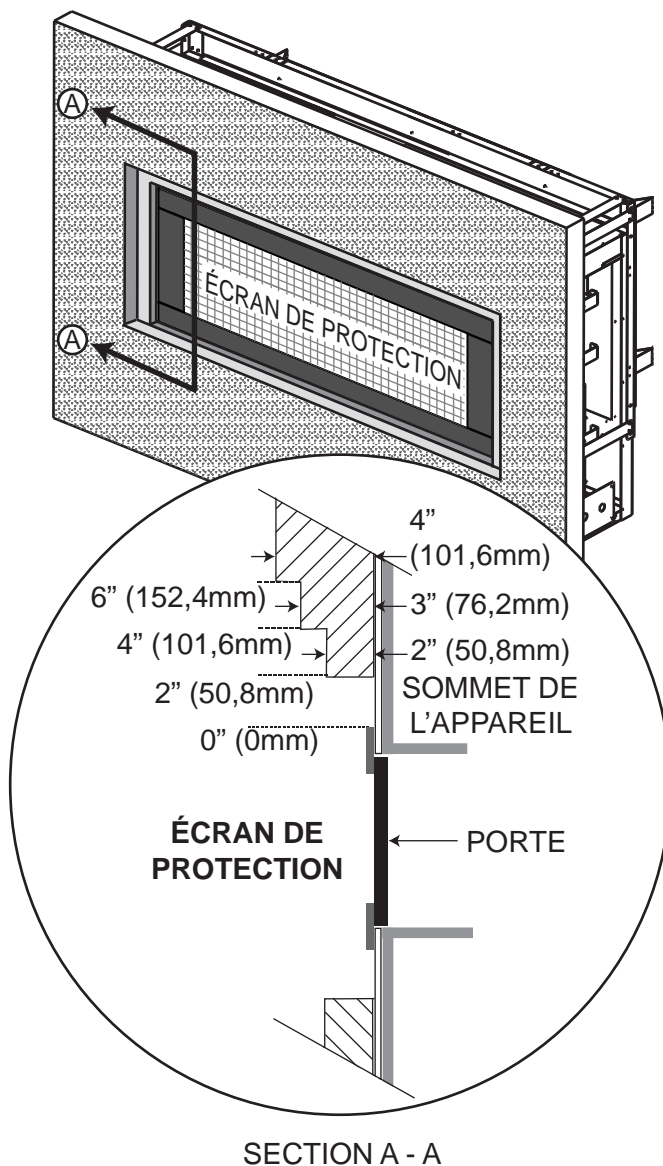
IMPORTANT: Once latches are engaged, test to make sure that the door is secure and will not fall forward.

6.3 INSTALLATION DU BRÛLEUR

Voir les instructions accompagnant l'assemblage du brûleur (vendu séparément).

6.4 MATÉRIAU DE FINITION INCOMBUSTIBLE

AVERTISSEMENT: L'ouverture de l'appareil peut être encastré dans le matériaux de finition incombustibles à condition ne pas dépasser de plus de 2" (50,8mm) la façade de la porte (sur toutes côtés). Si des projections plus grandes sont requises, augmentez les dégagements des côtés et du dessus de 2" (50,8mm) pour chaque pouce supplémentaire de projection. Si vous utilisez un moulure optionnelle, un dégagement de 2" (50,8mm) au-dessus du cadre est requis pour une projection maximale de 2" (50,8mm). Si des projections plus grandes sont requises, augmentez les dégagements du moulure optionnelle de 2" (50,8mm) pour chaque pouce supplémentaire de projection.



7.0 INFORMATION ÉLECTRIQUE



AVERTISSEMENT

N'UTILISEZ PAS CE FOYER SI UNE PARTIE QUELCONQUE A ÉTÉ SUBMERGÉE. CONTACTEZ IMMÉDIATEMENT UN TECHNICIEN DE SERVICE QUALIFIÉ POUR INSPECTER L'APPAREIL POUR DES DOMMAGES AU CIRCUIT ÉLECTRIQUE.

RISQUE DE CHOCS ÉLECTRIQUES OU D'EXPLOSION. NE BRANCHEZ PAS LE 110 V À LA SOUPAPE OU À L'INTERRUPTEUR MURAL DE L'APPAREIL. UN BRANCHEMENT ÉLECTRIQUE INCORRECT ENDOMMAGERA LES CONTRÔLES.

CET APPAREIL DOIT ÊTRE RACCORDÉ ÉLECTRIQUEMENT PAR UN ÉLECTRICIEN QUALIFIÉ CONFORMÉMENT AUX CODES LOCAUX. EN L'ABSENCE DE CODES LOCAUX, UTILISEZ LA VERSION COURANTE DU CODE CANADIEN DE L'ÉLECTRICITÉ CSA C22.1 AU CANADA OU LE NATIONAL ELECTRICAL CODE ANSI/NFPA 70 AUX ÉTATS-UNIS.

ALLUMEZ TOUJOURS LA VEILLEUSE, QUE ÇE SOIT POUR LA PREMIÈRE FOIS OU LORSQUE L'APPROVISIONNEMENT EN GAZ EST ÉPUISÉ, AVEC LA PORTE VITRÉE OUVERTE OU RETIRÉE.

69.2

Si vous devez accéder à la zone des commandes APRÈS L'INSTALLATION, retirez le panneau d'accès ou le couvercle du boîtier électrique situés dans la chambre de combustion. Vous devez réinstaller le panneau d'accès avant de faire fonctionner l'appareil.

7.1 BRANCHEMENT PAR CÂBLE

Vous devez effectuer un branchement par câble avec cet appareil.

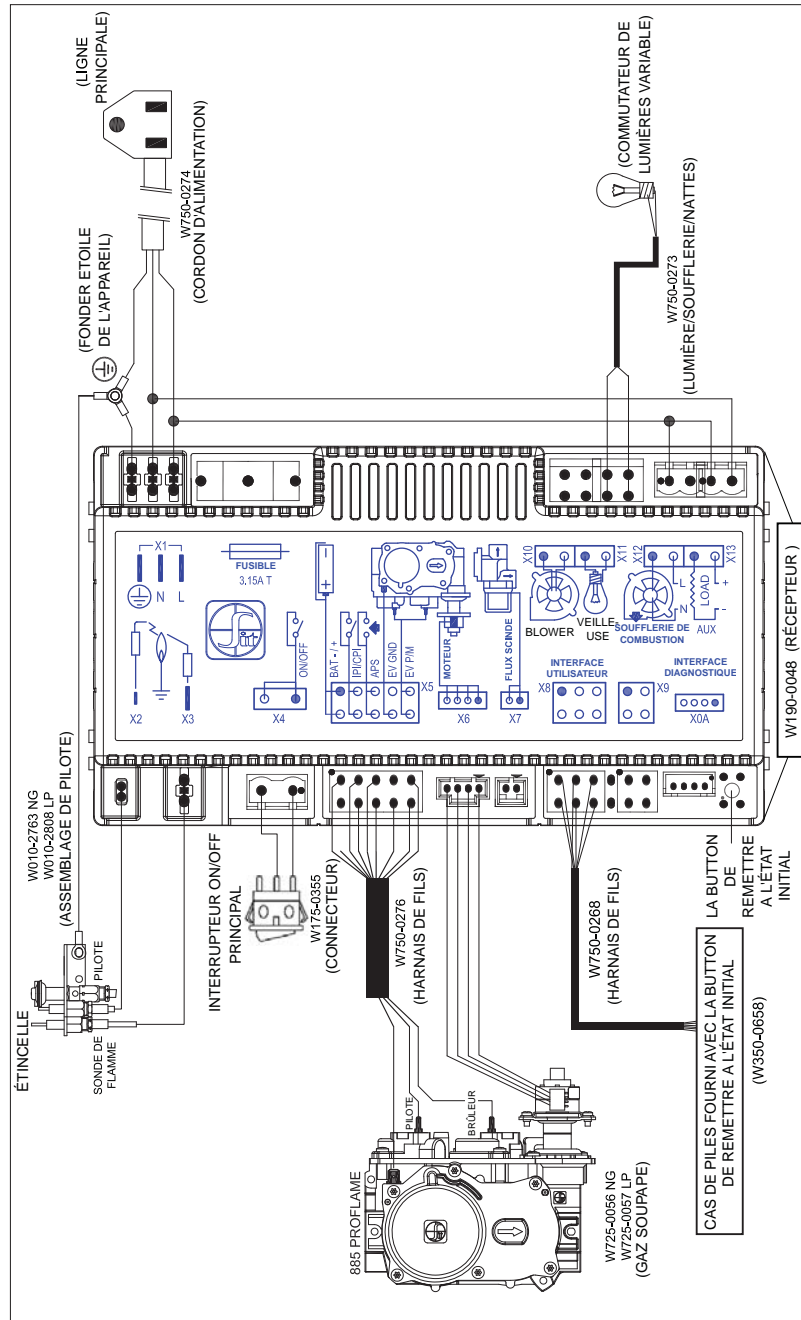
Si l'appareil est encastré dans une charpente permanente, sa boîte de jonction doit être branchée par câble.

7.2 INSTALLATION DE LA SOUFFLERIE OPTIONNELLE

Voir les instructions incluses avec la soufflerie.

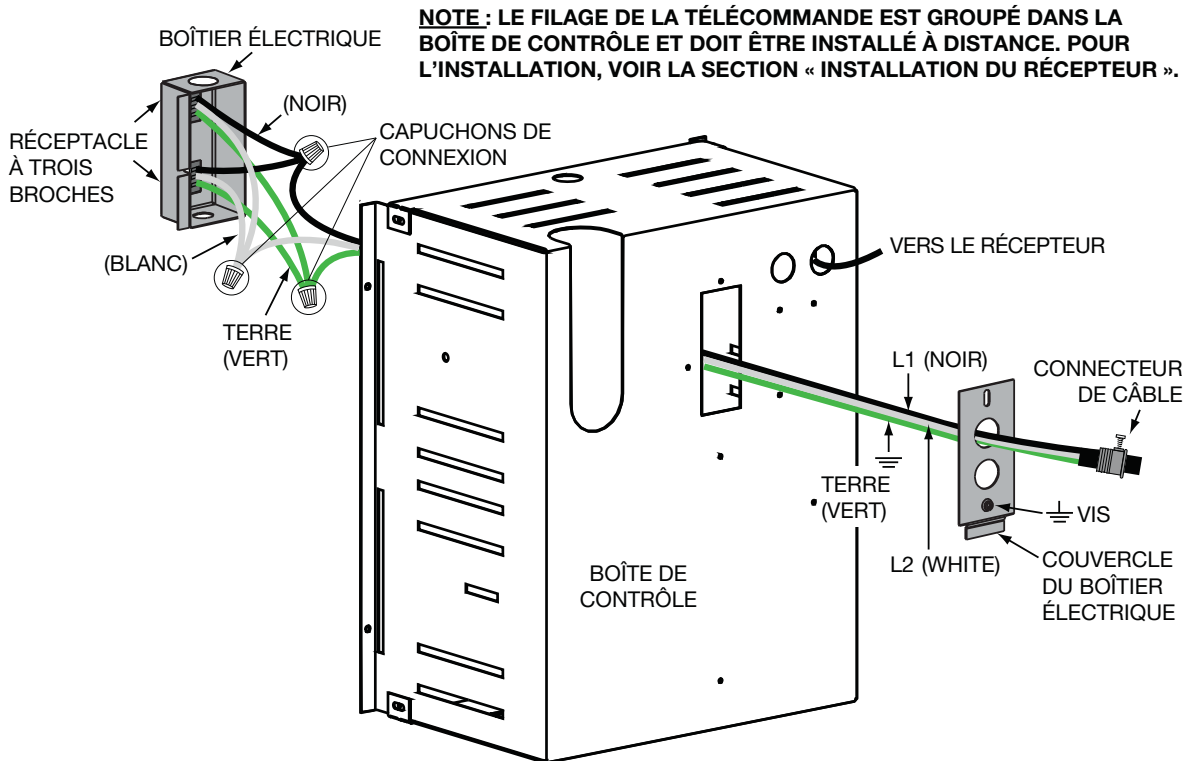
7.3 SCHÉMA DE CÂBLAGE

! AVERTISSEMENT
NE RACCORDEZ PAS L'INTERRUPTEUR MURAL OU LA SOUPAPE DE GAZ À L'ALIMENTATION ÉLECTRIQUE (110 VOLTS).



REMARQUE: Pour votre protection contre les risques de chocs électriques, cet appareil est muni d'une fiche à trois broches et devrait être branché directement dans une prise de courant à trois fentes mise à la terre. Ne pas couper ou retirer la broche de mise à la terre de cette fiche.

7.4 SCHÉMA DE CÂBLAGE DU RÉCEPTACLE

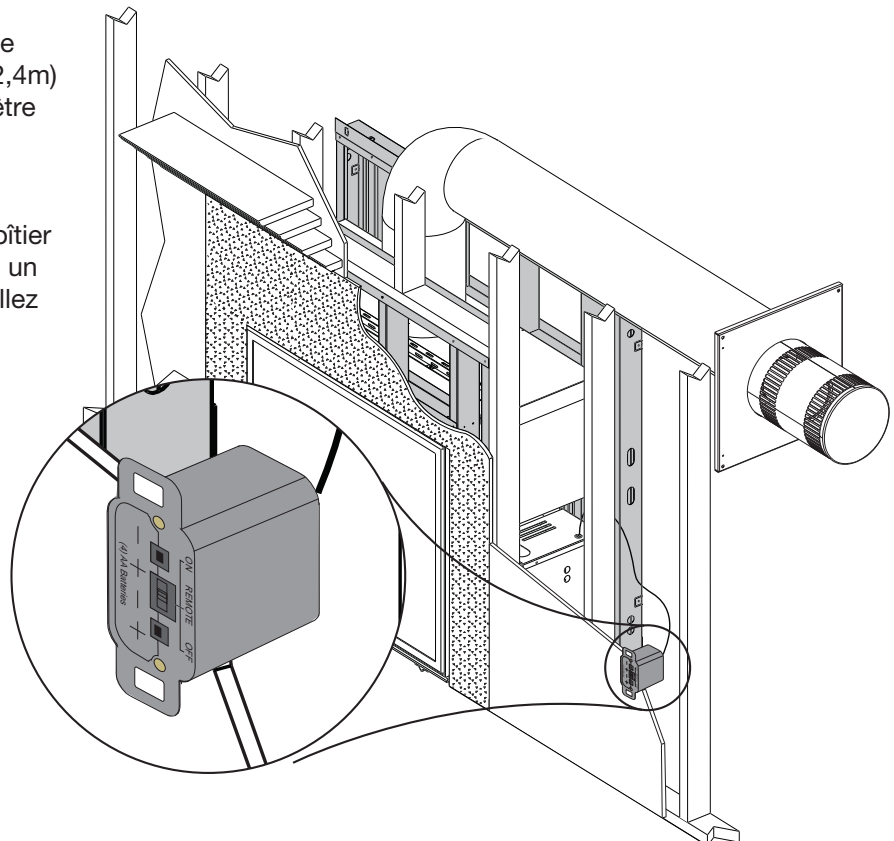


7.5 INSTALLATION DU RÉCEPTEUR

Le récepteur doit être situé à une distance maximale de 8 pieds (2,4m) de ce côté de l'appareil et doit être accessible pour programmer la télécommande.

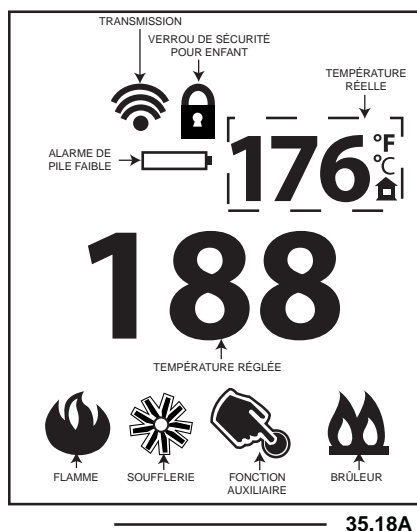
Installez le récepteur dans un boîtier électrique standard. Déterminez un emplacement approprié et installez le boîtier électrique.

NOTE : Assurez-vous que l'interrupteur est en position « REMOTE » (milieu).



8.0 FONCTIONNEMENT

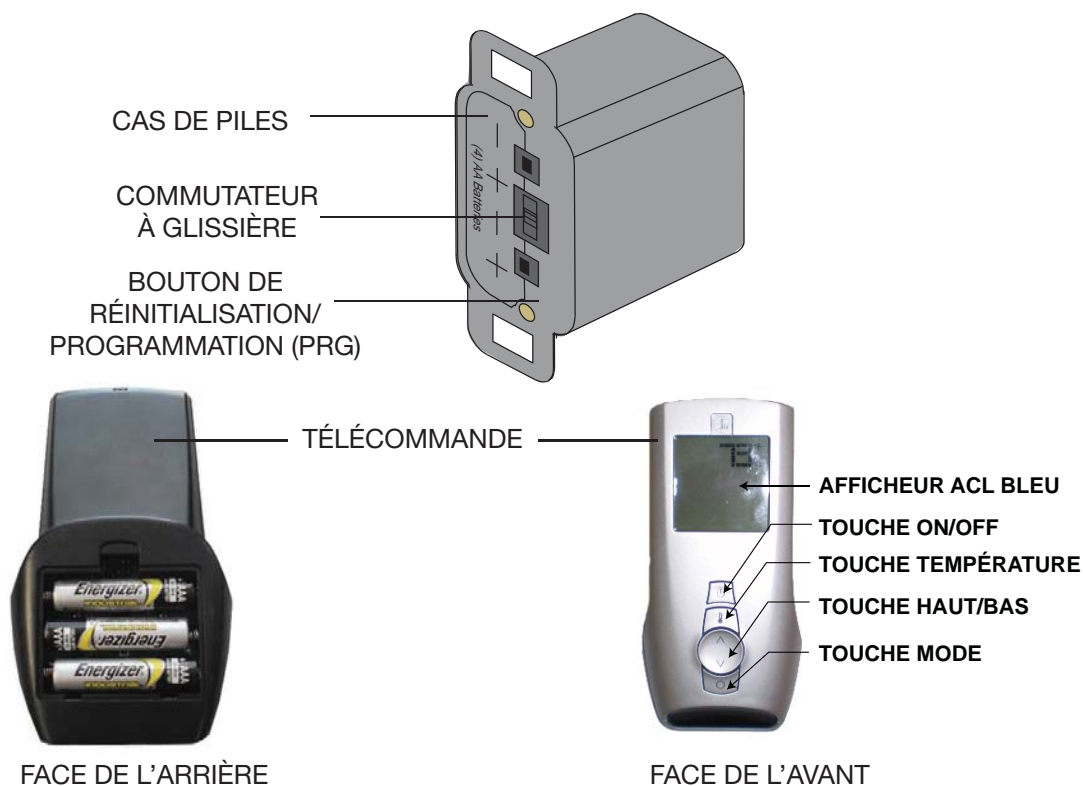
8.1 DESSIN GÉNÉRAL DE LA TÉLÉCOMMANDE



8.2 PREMIÈRE INITIALISATION DE LA TÉLÉCOMMANDE/BLOC-PILES

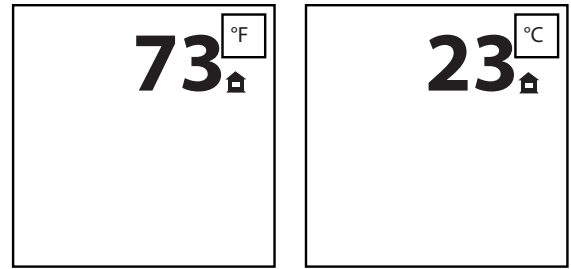
- Installez 4 piles AA dans le bloc-piles du Proflame 2, notez la polarité des piles puis insérez-les comme indiqué sur le couvercle (+/-).
- Assurez-vous que le commutateur à glissière est placé à la position « REMOTE » (position centrale).
- Appuyez sur le bouton réinitialisation/programmation, utilisez un objet de petite taille comme un trombone afin d'atteindre le bouton identifié PRG tel qu'illustré ci-dessous.
- Le bloc-piles émettra trois bips pour indiquer qu'il est prêt à être synchronisé avec la télécommande.
- Installez trois piles AAA dans la télécommande comme illustré ci-dessous, puis appuyez sur la touche « ON ». Le bloc-piles émettra 4 bips pour indiquer que le signal de la télécommande est accepté.

NOTE : LA PROCÉDURE D'INITIALISATION DOIT ÊTRE COMPLÉTÉE EN MOINS DE 10 SECONDES APRÈS QUE LE BOUTON RÉINITIALISATION/PROGRAMMATION (PRG) AIT ÉTÉ APPUÏYÉ.



8.3 AFFICHEUR DE TEMPÉRATURE

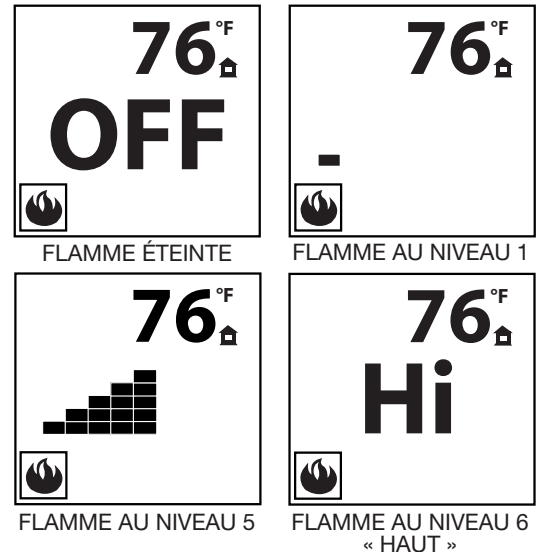
- A. Avec le système en position «OFF», appuyez simultanément sur les touches «TEMPÉRATURE» et « MODE » pour passer de l'affichage de la température en Fahrenheit à Celsius.
- B. Vérifiez l'afficheur ACL de la télécommande pour vous assurer que le C ou le F est visible à la droite de l'affichage de la température de la pièce.



35.5A

8.4 HAUTEUR DE LA FLAMME

La télécommande comporte six (6) niveaux de flammes. Avec le système en marche et le niveau de la flamme au maximum, appuyez une fois sur la touche bas et cela réduira la hauteur de la flamme d'un niveau jusqu'à ce que la flamme soit éteinte. La touche haut augmentera la hauteur de la flamme chaque fois qu'elle est enfoncée. Si la touche haut est enfoncée lorsque le système est en marche, mais que la flamme est éteinte, la flamme s'allumera en position élevée. Un seul bip confirmera la réception de la commande.

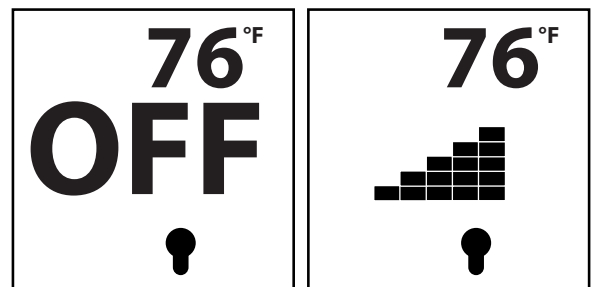


35.8

8.5 VEILLEUSE GRADATEUR

La fonction auxiliaire contrôle le veilleuse avec le contrôle de dimmable.

- A. Utiliser le clé de mode pour vous diriger à l'icône du veilleuse.
- B. L'intensité de la production peut être ajustée par 6 niveaux. Utiliser les controls EN HAUT/EN BAS pour ajuster le niveau de puissance. Un seul bip confirmera la réception de l'ordre.

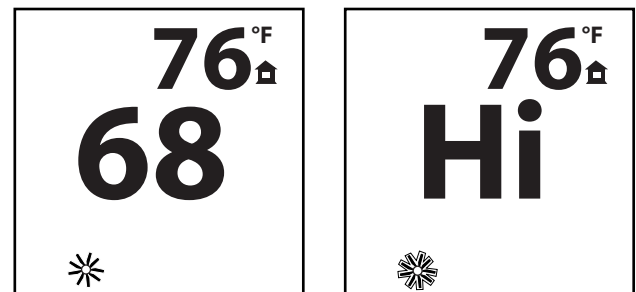


35.21

8.6 VITESSE DU VENTILATEUR

Si l'appareil est muni d'une soufflerie, la vitesse de celle-ci peut être contrôlée par le système de télécommande. La soufflerie compte six (6) vitesses.

- A. Utilisez la touche « MODE » pour vous guider vers l'icône de contrôle de la soufflerie.
- B. Utilisez la touche haut/bas pour mettre la soufflerie en marche ou l'arrêter, ou pour régler sa vitesse. Un seul bip confirmera la réception de la commande.

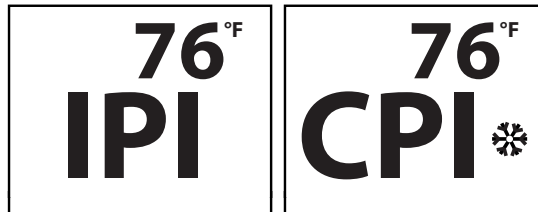


NOTE: Quand la vitesse désirée du soufflerie est choisie, la soufflerie allumera automatiquement 5 minutes après le brûleur principal ont été allumées et restent sur douze minutes après lui a été éteint.

35.9A

8.7 LA SÉLECTION PILOTE CONTINU/PILOTE INTERMITTENTE (CPI/IPI)

- A. Utiliser le clé de mode pour vous diriger à l'icône de mode de CPI. L'émetteur est à la position FERMÉ.
- B. Utiliser les controls EN HAUT/EN BAS pour changer de mode IPI à CPI. Un seul bip confirmera la réception de l'ordre.



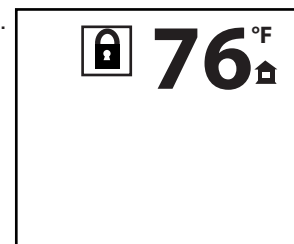
NOTE: Si votre système est équipé avec un CPI/IPI interrupteur à bascule, régler le CPI/IPI à la position de CPI pour rendre capable l'opération du CPI. Si l'interrupteur est placé à IPI, il fonctionnera seulement en IPI indépendamment du réglage sur la télécommande.

35.22

8.8 FONCTION DE SÉCURITÉ POUR ENFANTS

Cette fonction verrouillera les touches pour empêcher une utilisation non supervisée.

- A. Appuyez simultanément sur les touches « MODE » et haut.
- B. Pour désactiver cette fonction, appuyez simultanément sur les touches « MODE » et haut.

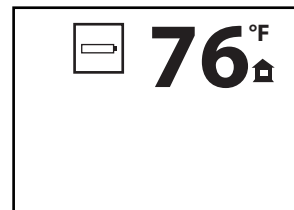


35.10A

8.9 FAIBLE PILES/LE BY-PASS MANUEL

La durée de vie des piles peut dépendre de plusieurs facteurs : la qualité des piles, le nombre d'allumages, le nombre de changements de réglage du thermostat de la télécommande, etc.

Lorsque les piles de la télécommande sont faibles, l'icône de pile apparaîtra sur l'afficheur ACL avant que les piles soient complètement déchargées. Une fois que les piles sont remplacées, cette icône disparaîtra.



Non applicable lorsque branché dans du 110 V.

Lorsque les piles du récepteur sont faibles, celui-ci n'émettra pas de bip lorsqu'il recevra une commande MARCHE/ARRÊT. Ceci est pour vous signaler que les piles du récepteur sont faibles. Lorsque les piles sont remplacées, le récepteur émettra un « bip » lorsque la touche MARCHE/ARRÊT est appuyée.

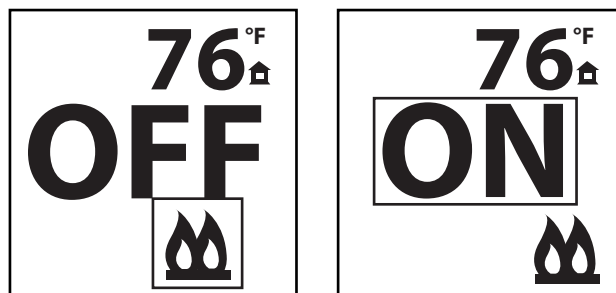
Si les piles dans le bloc-piles ou dans la télécommande sont faibles, vous pouvez allumer l'appareil manuellement en glissant le commutateur à glissière du bloc-piles à la position « ON ». Ceci contournera la fonction de la télécommande, et le brûleur principal de l'appareil s'allumera. Pareillement, si vous désirez éteindre l'appareil manuellement, glissez le commutateur à la position « OFF ».

35.23

8.10 DÉBIT DIVISÉ

La fonction brûleur contrôle la mise en marche et l'arrêt du deuxième brûleur.

- A. Utilisez la touche « MODE » pour vous guider vers la fonction brûleur.
- B. Appuyez sur la touche haut pour activer le deuxième brûleur.
- C. Appuyez sur la touche bas pour éteindre le deuxième brûleur. Un seul bip confirmera la réception de la commande.



NOTE: Il n'est pas possible de contrôler la hauteur des flammes séparément.

35.17

9.0 INSTRUCTIONS DE FONCTIONNEMENT

! AVERTISSEMENT

SI CES INSTRUCTIONS NE SONT PAS SUIVIES À LA LETTRE, UN FEU OU UNE EXPLOSION POURRAIENT S'ENSUIVRE, CAUSANT DES DOMMAGES MATÉRIELS, DES BLESSURES CORPORELLES OU DES PERTES DE VIE.

ALLUMEZ TOUJOURS LA VEILLEUSE, QUE CE SOIT POUR LA PREMIÈRE FOIS OU LORSQUE L'APPROVISIONNEMENT EN GAZ EST ÉPUISÉ, AVEC LA PORTE VITRÉE OUVERTE OU RETIRÉE.

Assurez-vous que l'arrivée de gaz au brûleur est continue avant de réinstaller la porte. Lorsqu'il est allumé pour la première fois, l'appareil dégagera une légère odeur pendant quelques heures. Cela est une condition normale temporaire causée par le conditionnement des bûches et l'évaporation des peintures et lubrifiants internes utilisés dans le processus de fabrication; elle ne se reproduira plus. Après de longues périodes sans utiliser l'appareil, comme à la suite de vacances ou à la fin de l'été, il se peut qu'une légère odeur se dégage pendant quelques heures. Ceci est causé par des particules de poussière brûlant dans l'échangeur de chaleur. Dans les deux cas, ouvrez une fenêtre pour aérer la pièce.

POUR VOTRE SÉCURITÉ, LISEZ CE QUI SUIT AVANT D'ALLUMER :

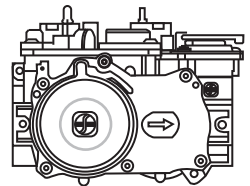
- A.** Cet appareil est équipé d'un dispositif d'allumage qui allume automatiquement la veilleuse. N'essayez pas de l'allumer manuellement.
- B.** Avant d'allumer, sentez autour de l'appareil et près du plancher afin de vous assurer qu'il n'y a pas de fuite de gaz. Certains gaz sont plus lourds que l'air et se déposeront au niveau du plancher.
- C.** N'utilisez pas cet appareil si une partie quelconque a été submergée. Contactez immédiatement un technicien qualifié pour l'inspecter et pour remplacer toute pièce du système de contrôle et du contrôle du gaz qui aurait été submergée.

QUE FAIRE SI VOUS DÉTECTEZ UNE ODEUR DE GAZ :

- Coupez l'alimentation en gaz à l'appareil.
- Ouvrez les fenêtres.
- N'allumez aucun appareil.
- Ne touchez à aucun interrupteur électrique; n'utilisez aucun téléphone dans votre immeuble.
- De la maison d'un voisin, appelez immédiatement votre fournisseur de gaz et suivez ses instructions.
- Si vous ne pouvez pas rejoindre votre fournisseur de gaz, appelez le service des incendies.

INSTRUCTIONS D'ALLUMAGE

1. Arrêtez! Lisez les consignes de sécurité ci-dessus.
2. Enlevez les piles de l'émetteur.
3. Coupez l'alimentation électrique à l'appareil.
4. Cet appareil est équipé d'un dispositif d'allumage qui allume automatiquement la veilleuse. N'essayez pas de l'allumer manuellement.
5. Ouvrez la porte vitrée.
6. Tournez la soupape de sectionnement manuelle vers la droite à « OFF ». Elle est située derrière le panneau d'accès.
7. Attendez cinq (5) minutes pour que le gaz puisse s'échapper. Si vous détectez une odeur de gaz, y compris au niveau du plancher, **ARRÊTEZ!** et suivez les instructions ci-dessus « Que faire si vous détectez une odeur de gaz ». Continuez à l'étape suivante si vous ne sentez pas de gaz.
8. Tournez la soupape de sectionnement manuelle vers la gauche à « ON ».
9. Fermez la porte vitrée.
10. Rétablissez l'alimentation électrique à l'appareil et remettez les piles dans l'émetteur.
11. Appuyez sur le bouton « ON » de la télécommande. Vous devriez entendre un bip du récepteur vous indiquant que la communication est bonne. (Pour activer le récepteur, référez-vous à la section « FONCTIONNEMENT DE L'APPAREIL ».)



INSTRUCTIONS POUR COUPER LE GAZ

1. Coupez l'alimentation électrique à l'appareil si un travail d'entretien doit se faire.
2. Pour accéder à la soupape d'arrêt manuelle, enlevez la porte d'accès située à l'intérieur de l'appareil.
3. Si une soupape de sectionnement alternative est installée, celle-ci peut être fermée sans avoir à fermer celle à l'intérieur de l'appareil.

10.0 RÉGLAGES

10.1 RÉGLAGE DE LA VEILLEUSE

Ajustez la vis de la veilleuse pour obtenir une flamme de taille normale. Tournez vers la droite pour réduire l'apport de gaz.

VÉRIFIER LA PRESSION :

Pour vérifier la pression d'arrivée, tournez la vis (A) vers la gauche deux à trois tours, puis emboîtez le tube du manomètre sur la pointe d'essai. Le manomètre doit indiquer la pression comme décrit sur le diagramme ci-dessous. Vérifier la pression avec brûleur principal sur « HI ».

La vérification de la pression de sortie s'effectue comme ci-dessus en utilisant la vis (B). Le manomètre doit indiquer la pression comme décrit sur le diagramme ci-dessous. Vérifier la pression avec brûleur principal sur « HI ».

APRÈS AVOIR PRIS LA LECTURE DES PRESSIONS, ASSUREZ-VOUS DE TOURNER FERMEMENT LES VIS VERS LA DROITE POUR SCELLER. NE SEREZ PAS TROP FORT.

Vérifiez pour des fuites en appliquant une solution d'eau savonneuse.

Avant d'effectuer le réglage de la veilleuse, assurez-vous que l'assemblage de la veilleuse n'a pas été peint. S'il y a des traces de peinture ou de surpulvérisation, enlevez-les de l'assemblage de la veilleuse ou remplacez-le. Une toile d'émeri ou un tampon récurage (comme Scotch-Brite™) peut être utilisé pour enlever la peinture sur la hotte de la veilleuse, sur l'électrode et sur le capteur de flamme.

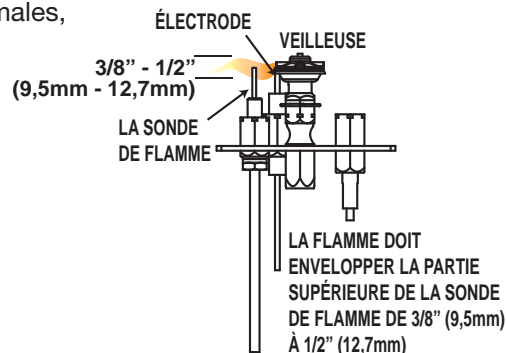
* Pression d'alimentation maximale ne doit pas dépasser 13"

Pression	Gaz Naturel (pouces)	Gaz Naturel (millibars)	Propane (pouces)	Propane (millibars)
Arrivée	*7" (min.4,5")	17,4 mb (min.11,2mb)	13" (min.11")	32,4 mb (min.27,4mb)
Sortie	3,5"	8,7 mb	10"	24,9 mb

39.1D

10.2 CARACTÉRISTIQUES DE LA FLAMME

Il est important d'effectuer périodiquement une inspection visuelle de la flamme de la veilleuse et du brûleur. Comparez-les à ces illustrations. Si des flammes paraissent anormales, contactez un technicien de service.

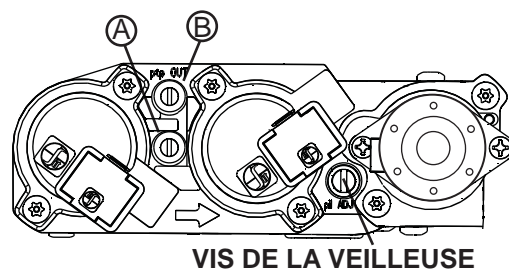


54.1B

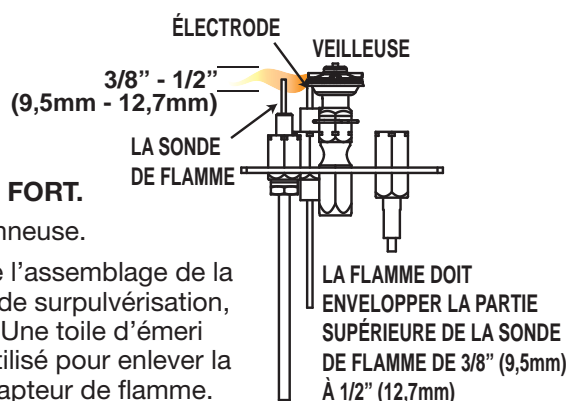
10.3 ÉTRANGLEMENTS DES ÉVÉNEMENTS VERTICAUX

Certaines configurations d'évacuation verticales peuvent avoir une flamme très active. Si cette apparence n'est pas désirée, la sortie du conduit d'évacuation doit être réduite en utilisant une plaque de restriction. Pour obtenir l'ensemble approprié, voir les « ACCESSOIRES » à la section « RECHANGES ». Ceci diminuera la vitesse des gaz de combustion, ralentissant ainsi le mouvement de la flamme et créant une apparence plus traditionnelle. Les instructions sont incluses avec l'ensemble.

77.3



VIS DE LA VEILLEUSE



LA FLAMME DOIT ENVELOPPER LA PARTIE SUPÉRIEURE DE LA SONDE DE FLAMME DE 3/8" (9,5mm) À 1/2" (12,7mm)

À 1/2" (12,7mm)

FR

11.0 ENTRETIEN



AVERTISSEMENT

COUPEZ L'ALIMENTATION EN GAZ ET L'ALIMENTATION ÉLECTRIQUE AVANT DE PROCÉDER À L'ENTRETIEN DE L'APPAREIL.

L'APPAREIL PEUT ÊTRE CHAUD. ATTENDEZ QU'IL SOIT REFROIDI AVANT D'EN FAIRE L'ENTRETIEN.

N'UTILISEZ PAS DE PRODUITS ABRASIFS.

NE PEINTURE PAS L'ASSEMBLAGE DU VEILLEUSE.

Assurez-vous que l'appareil fonctionne adéquatement une fois l'entretien terminé. Cet appareil et son système d'évacuation devraient être inspectés avant la première utilisation et au moins une fois l'an par un technicien de service qualifié. Les vérifications suggérées doivent être effectuées par un technicien qualifié. L'espace entourant l'appareil doit être gardé propre et libre de matériaux combustibles, d'essence ou autres liquides et vapeurs inflammables. Les apports d'air comburant et d'air de convection ne doivent pas être obstrués.

ATTENTION : Lors de l'entretien des contrôles, assurez-vous d'identifier chacun des fils avant de les débrancher. Une réinstallation incorrecte des fils peut occasionner un mauvais fonctionnement et être dangereuse.

- A.** Pour nettoyer le brûleur principal et la veilleuse adéquatement, il faut retirer les bûches, les roches ou la vitre afin de dégager les deux ensembles.
- B.** Gardez le compartiment des contrôles, les composants décoratifs, le brûleur, le volet d'air et l'espace entourant les bûches propres en brossant ou en passant l'aspirateur au moins une fois l'an.
- C.** Assurez-vous que tous les orifices des brûleurs produisent des flammes. Nettoyez tous les orifices qui n'ont pas de flamme ou dont la flamme ne brûle pas adéquatement.
- D.** Assurez-vous que la flamme de la veilleuse est assez puissante pour envelopper la sonde de flamme et/ou le thermocouple/thermopile et qu'elle atteigne le brûleur.
- E.** Remettez en place les bûches, les roches ou la vitre nettoyées, si équipé. Omettre de positionner les composants décoratifs adéquatement peut causer des dépôts de carbone qui peuvent se déposer à l'intérieure de la chambre de combustion et sur les surfaces extérieures entourant d'évent.
- F.** Vérifiez si le brûleur principal allume sur tous les orifices lorsque le bouton de contrôle du gaz est à « ON ». Un temps d'allumage total de 5 à 10 secondes est satisfaisant. Service selon les besoins.
- G.** Vérifiez si les joints d'étanchéité sur les côtés, le haut et le bas de la porte ne sont pas brisés ou manquants. Remplacez si nécessaire.
- H.** Si pour une raison quelconque le système d'évents de prise d'air est démonté, réinstallez et rescellez-le selon les instructions fournies dans l'installation initiale.
- I.** Il est possible que l'écran de protection (pare-étincelles) nécessite un nettoyage occasionnel en raison des peluches/poussières provenant des tapis, des animaux, etc. il suffit de passer l'aspirateur à l'aide de l'embout avec une brosse.
- J.** Vérifiez si le système de décharge effectue efficacement. Vérifiez si les joints d'étanchéité ne sont pas brisés ou manquants. Remplacez si nécessaire.

40.1E

11.1 ENTRETIEN ANNUEL

! AVERTISSEMENT

LE CAISSON DEVIENT TRÈS CHAUD LORS DU FONCTIONNEMENT. LAISSEZ L'APPAREIL SE REFROIDIR COMPLÈTEMENT OU PORTEZ DES GANTS ANTICHALEUR AVANT D'EFFECTUER L'ENTRETIEN.

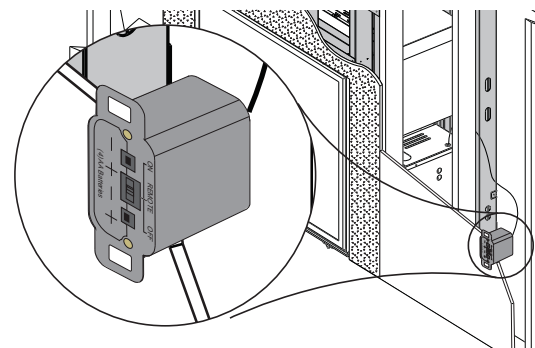
NE JAMAIS ASPIRER DES BRAISES QUI SONT CHAUDES.

NE PEINTUREZ PAS L'ASSEMBLAGE DE LA VEILLEUSE.

- Cet appareil nécessite un entretien qui devra être effectué sur une base annuelle.
- L'entretien devrait inclure un nettoyage, le remplacement des piles, une inspection du système d'évent, du brûleur, des éléments décoratifs internes et de la chambre de combustion. Consultez la section pour l'enlèvement de la porte et retirez la porte comme indiqué.
- Enlevez soigneusement les éléments décoratifs internes s'il y a lieu (bûches, braises de verre, panneaux de brique, etc.)
- À l'aide d'un aspirateur muni d'une brosse souple, aspirez les saletés, les débris et les dépôts de carbone sur les bûches, la chambre de combustion et le brûleur. Pour les braises de verre, suivez les instructions de prénettoyage.
- Enlevez aussi tout dépôt se trouvant sur l'assemblage de la veilleuse et aussi, s'il y a lieu, sur la thermopile, le thermocouple, le capteur de flamme et l'allumeur. **NOTE: Vous devez nettoyer le capteur de flamme à l'aide d'un morceau de laine d'acier ou un tampon récurage (Scotch-Brite™) afin de retirer toute trace d'oxydation. Nettoyez l'assemblage du pilote à l'aide d'un aspirateur muni d'une brosse souple. Il est important de ne pas peindre l'assemblage de la veilleuse.**
- Inspectez tous les joints d'étanchéité accessibles et remplacez-les au besoin.
- Accédez à la soufflerie, s'il y a lieu, puis nettoyez à l'aide d'une brosse souple et d'un aspirateur.
- Réinstallez tous les composants dans l'ordre inverse.
- Inspectez le système de surpression. L'appareil dissipe la pression par la porte vitrée ou par les clapets sur le dessus du caisson. Assurez-vous qu'ils ouvrent sans restriction et qu'ils ferment de façon étanche.
- Vérifiez si la soupape de gaz de la veilleuse et les boutons Hi / Lo bougent librement (s'il y a lieu) - remplacez si vous constatez de la rigidité dans le mouvement.
- Vérifiez tous les branchements du gaz pour des fuites de gaz, en amont et en aval de la soupape de gaz incluant les connexions du tube de la veilleuse.

37.1E

NOTE : Pour installer les piles en cas de panne de courant, vous devez accéder au récepteur. Retirez le couvercle du récepteur et installez quatre piles « AA ». Assurez-vous que l'interrupteur est à la position « REMOTE » (milieu).

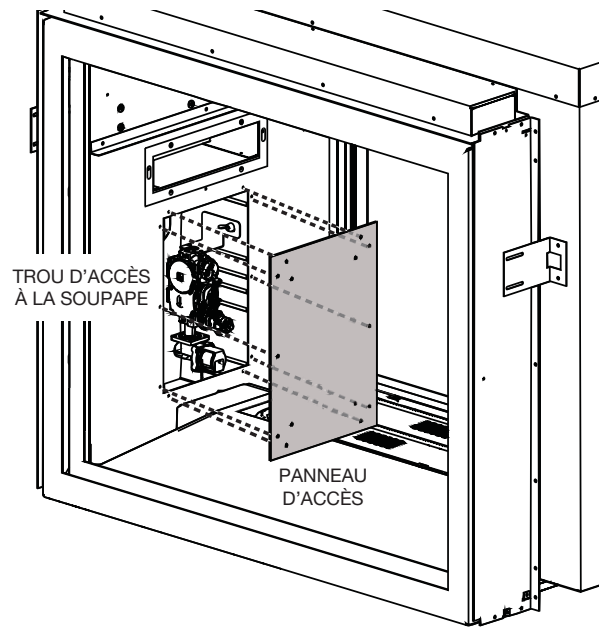


11.2 ACCÈS AUX CONTRÔLES

11.2.1 PANNEAU D'ACCÈS INTÉRIEUR

NOTE: Lors de la réinstallation du panneau d'accès, il sera nécessaire de remplacer le joint d'étanchéité (voir la section «REPLACEMENT» dans le «VUE D'ENSEMBLE DU HD81-1»).

Retirez l'une des portes principales. Voir la section «INSTALLATION/ENLÈVEMENT DE LA PORTE». Retirez le panneau optionnel de brique ou de porcelaine du côté où se trouve la boîte de contrôle. Retirez les huit vis du panneau d'accès.



11.3 ENLÈVEMENT DE LA SOUPE

La soupape sur cet appareil est munie de trois raccords flexibles (un pour l'entrée, deux pour la sortie). Elle peut être enlevée et tirée vers l'avant pour l'entretien.

- A. Enlever le panneau optionnel.
- B. Enlever le collecteur d'air, voir Figure 1.
- C. Retirez le panneau d'accès intérieur. Voir la section « PANNEAU D'ACCÈS INTÉRIEUR ».
- D. Retirez l'écrou à oreilles et faites pivoter la soupape pour la sortir de la fente en dessous de cette dernière, voir Figure 2.
- E. Tirez la soupape lentement à travers la porte de contrôle en prenant soin de ne pas plier le tuyau d'alimentation du gaz ou les fils. Débranchez les connecteurs flexibles.
- F. Réinstallez tous les composants avant de faire fonctionner l'appareil.
- G. Vérifiez pour des fuites en appliquant une solution d'eau savonneuse.

FIGURE 1

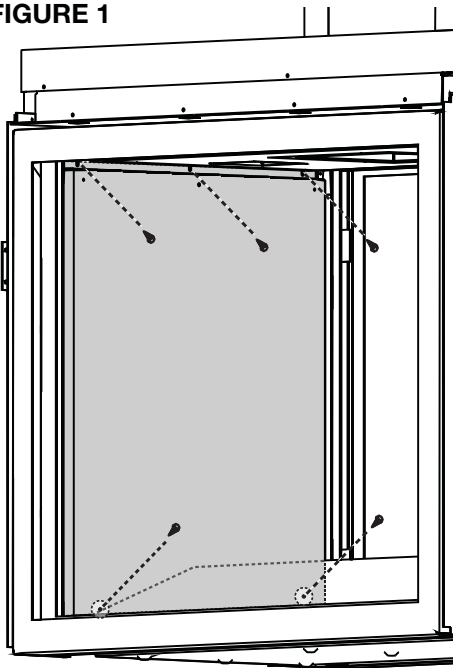
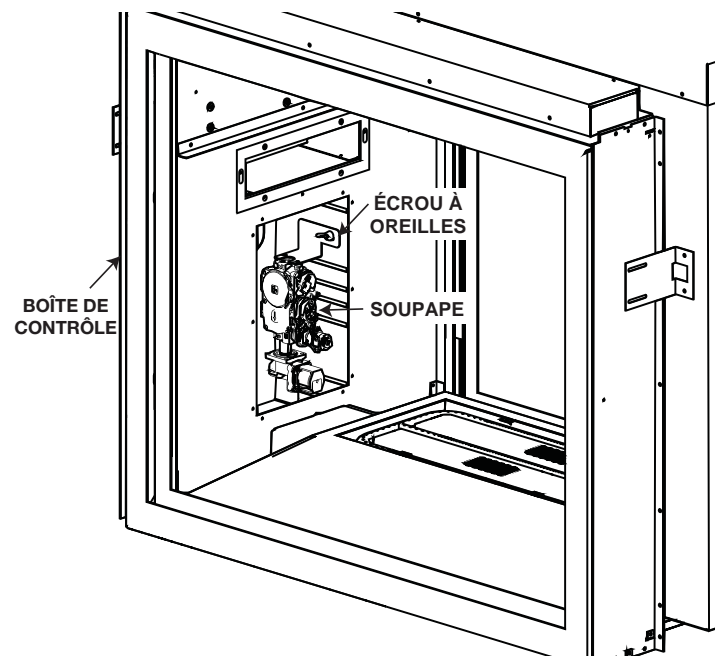


FIGURE 2

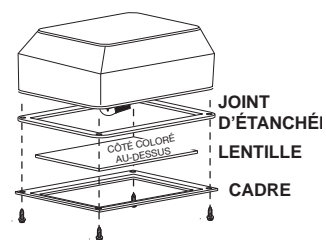


11.4 LUMIÈRE DE VEILLE

Cette appareil est équipé de deux lumières de veille. Les lumières de veille sont précâblées et sont contrôlées par la télécommande.

Si vous devez remplacer l'ampoule ou la lentille, suivez les instructions suivantes:

- A. Désactivez le disjoncteur à l'entrée d'alimentation principale.
- B. Retirez les quatre vis servant à fixer le cadre aux côtés de la chambre de combustion. Ce cadre sert à retenir la lentille.
- C. Vous pouvez maintenant accéder à l'ampoule.

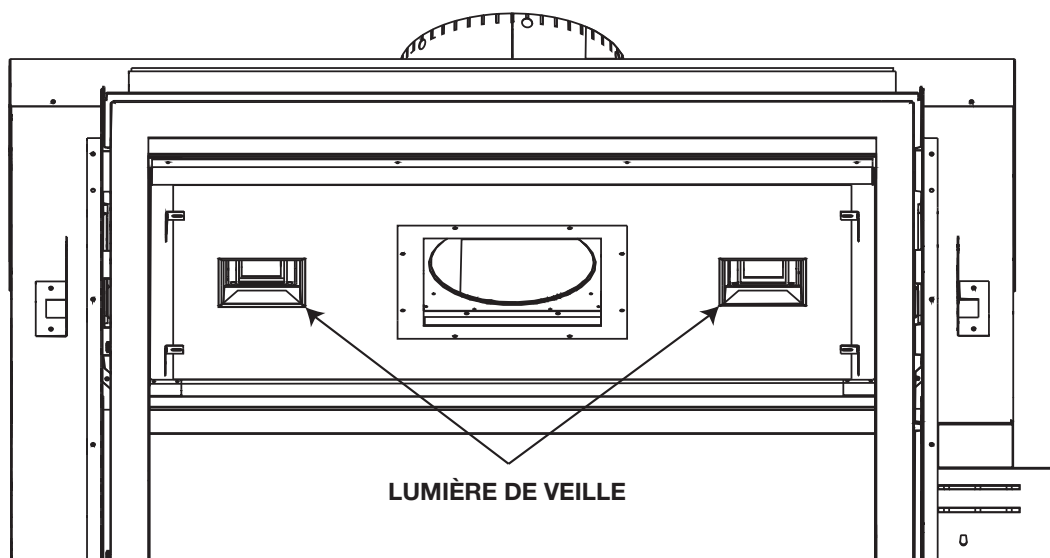


NOTE : Lorsque vous manipulez l'ampoule, ne la laissez pas entrer en contact direct avec vos doigts, protégez-la avec un linge propre et sec.

L'ampoule s'enlève en la tirant hors de la douille. Remplacez par des pièces Wolf Steel Itée uniquement, car l'ampoule et la lentille sont des produits spécialement conçus pour les hautes températures. Lors de la réinstallation, vérifiez l'intégrité du joint d'étanchéité.

LA CHAMBRE DE COMBUSTION DOIT ÊTRE SCELLÉE.

Le serrage excessif des vis risque de briser la lentille. Il est possible que des « fuites de lumière » soient visibles au niveau des trous dans le boîtier de la lumière. Ces derniers sont nécessaires à la ventilation et ne doivent pas être couverts.



11.5 REMPLACEMENT DE LA VITRE/PORTE

⚠ AVERTISSEMENT

N'UTILISEZ PAS DE MATÉRIAUX DE SUBSTITUTION.

LA VITRE PEUT ÊTRE CHAUDE, NE TOUCHEZ PAS LA VITRE JUSQU'À CE QU'ELLE AIT REFROIDI.

UTILISEZ DE PRUDENCE LORSQUE VOUS ENLEVEZ ET JETEZ DES DÉBRIS DE VERRE OU DES COMPOSANTS ENDOMMAGÉS. ASSUREZ-VOUS D'ASPIRER TOUS LES DÉBRIS DE VERRE À L'INTÉRIEUR DE L'APPAREIL AVANT DE LE FAIRE FONCTIONNER.

NE FRAPPEZ PAS, NE CLAQUEZ PAS ET N'ÉGRATIGNEZ PAS LA PORTE VITRÉE. NE FAITES PAS FONCTIONNER L'APPAREIL LORSQUE LA PORTE VITRÉE EST ENLEVÉE, FISSURÉE, BRISÉE OU ÉGRATIGNÉE.

Ensemble de verre/cadre de remplacement est remplacé comme une unité complète telle que fournie par le fabricant de l'appareil.

56.1C

11.6 SOINS DE LA VITRE

NE PAS NETTOYER LA VITRE LORSQU'ELLE EST CHAUDE! N'EMPLOYEZ PAS DE DÉTERGENTS ABRASIFS POUR NETTOYER LA VITRE.

Polissez légèrement à l'aide d'un linge propre et sec. Nettoyez les deux côtés de la vitre avec un nettoyeur recommandé après les dix premières heures de fonctionnement. Ne pas utiliser un nettoyant pour vitre du foyer à base d'ammoniaque. Par la suite, nettoyez aussi souvent qu'il le faudra, sinon la vitre risque de rester marquée en permanence.



5.1A

L'appareil est muni d'une 5mm en verre céramique Remplacez uniquement avec une pièce pour le foyer disponible chez votre détaillant autorisé. **N'UTILISEZ PAS DE MATÉRIAUX SUBSTITUTS.**

5.5.1A

11.7 SOINS DES PIÈCES PLAQUÉES

Si l'appareil est muni de pièces plaquées, vous devez enlever toutes traces de doigts ou autres marques des surfaces plaquées avant d'allumer l'appareil pour la première fois. Utilisez un nettoyant à vitres ou du vinaigre et un linge pour nettoyer. Si la surface plaquée n'est pas bien nettoyée avant le premier allumage de l'appareil, elle risque de rester marquée en permanence. Une fois que la surface plaquée aura chauffé, les traces de doigts et le gras n'affecteront plus la surface et très peu d'entretien sera requis; vous n'aurez qu'à l'essuyer au besoin. Une combustion prolongée à haute température avec la porte ouverte peut causer une décoloration des pièces plaquées.

NOTE: L'emballage de protection sur les pièces plaquées s'enlève mieux lorsque l'assemblage est à température ambiante ou lorsqu'il est chauffé avec un séchoir à cheveux ou une autre source de chaleur similaire.

6.1

12.0 RECHANGES

! AVERTISSEMENT

OMETTRE DE POSITIONNER LES PIÈCES CONFORMÉMENT À CE MANUEL OU D'UTILISER UNIQUEMENT DES PIÈCES SPÉCIFIQUEMENT APPROUVÉES POUR CET APPAREIL PEUT CAUSER DES DOMMAGES MATÉRIELS OU DES BLESSURES CORPORELLES.

Contactez votre détaillant pour les questions concernant les prix et la disponibilité des pièces de rechange. Normalement, toutes les pièces peuvent être commandées chez votre détaillant autorisé.

POUR UN REMPLACEMENT DE PIÈCE SOUS GARANTIE, UNE PHOTOCOPIE DE LA FACTURE ORIGINALE SERA REQUISE AFIN DE POUVOIR HONORER LA DEMANDE.

Lorsque vous commandez des pièces, donnez toujours l'information suivante :

- Modèle et numéro de série de l'appareil
- Date d'installation de l'appareil
- Numéro de la pièce
- Description de la pièce
- Fini

PIÈCES, NUMÉRO DES PIÈCES ET S'IL SOIT DISPONIBILITÉ PEUT CHANGER SANS PRÉAVIS.

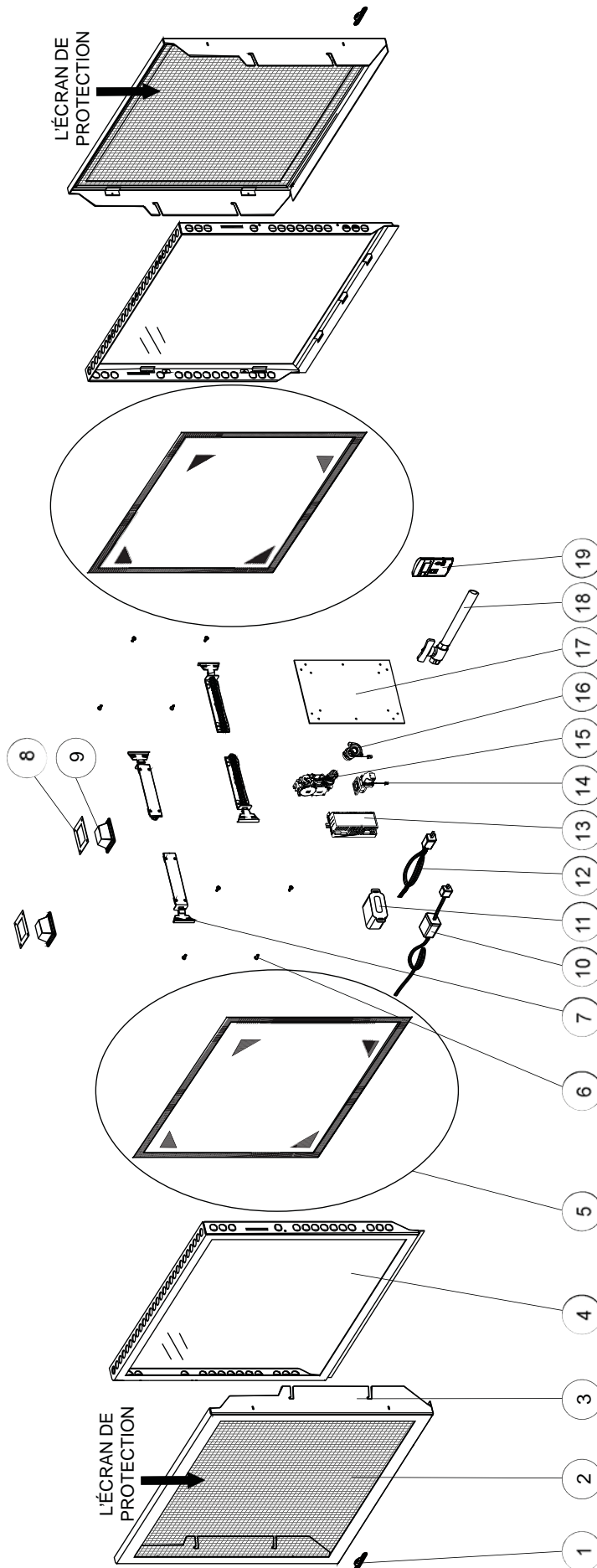
PARTIES IDENTIFIÉES COMME GARNIE SERONT LIVRÉS DANS 2 À 5 JOURS POUR LA PLUPART DES DESTINATIONS DE LIVRAISON.

PIÈCES NON IDENTIFIÉES QUE STOCKÉS SERONT LIVRÉS DANS UN DÉLAI DE 2 À 4 SEMAINES POUR LA PLUPART DES CAS.

PIÈCES IDENTIFIÉES COMME « SO » SONT COMMANDE SPÉCIALE ET PEUVENT PRENDRE JUSQU'À 90 JOURS POUR LA LIVRAISON.

41.1C

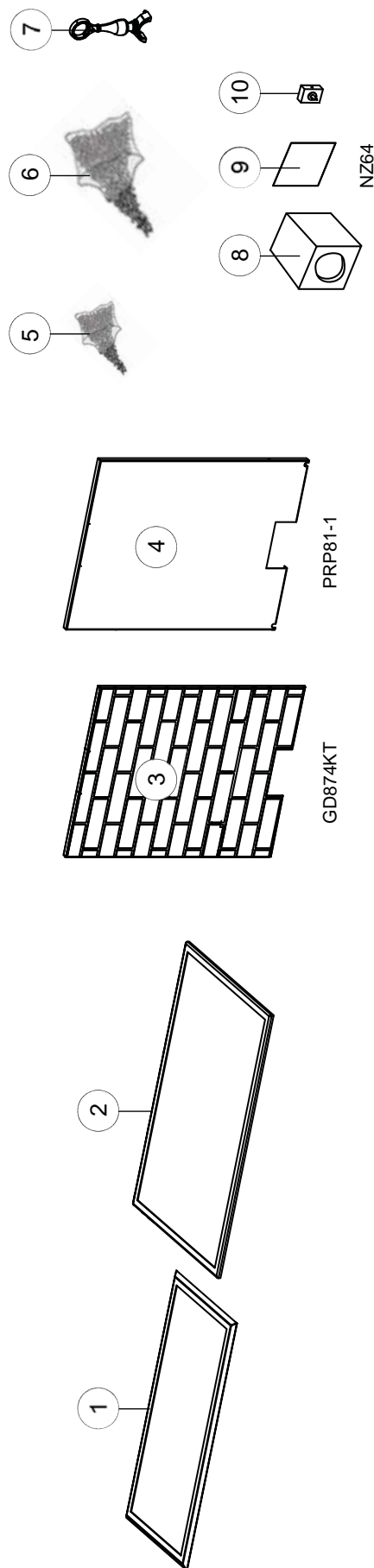
13.0 VUE D'ENSEMBLE DU HD81-1



CES ARTICLES PEUT DIFFÉRER DE CELLE ILLUSTRÉ

RÉF.	PART NO.	DESCRIPTION	EN STOCK	RÉF.	PART NO.	DESCRIPTION	EN STOCK
1	W385-2010	LOGO NAPOLÉON	OUI	12	W750-0294	CORDON D'ALIMENTATION	
2	W565-0270-SER	L'ÉCRAN DE PROTECTION	OUI	13	W190-0105	MODULE DE CONTRÔLE	OUI
3	W010-3841-SER	L'ASSEMBLAGE DE L'ÉCRAN DE PROTECTION		14	W725-0058	SOUPAPE, DÉBIT DIVISÉ	OUI
4	W010-2967-SER	L'ASSEMBLAGE DU PORTE		14	W725-0056	SOUPAPE (GN)	OUI
5	W562-0060	ENSEMBLE DE JOINT D'ÉTANCHÉITÉ DU PORTE	OUI	15	W725-0057	SOUPAPE (PL)	OUI
6	W065-0034	BOULON À ÉPAULEMENT	OUI	15	W435-0011	REGULATEUR MODULANTE (GN)	OUI
7	W010-4011	LOQUET DE PORTE		16	W435-0010	REGULATEUR MODULANTE (PL)	OUI
8	W290-0080	JOINT D'ÉTANCHÉITÉ DU LUMIÈRE DE VEILLE	OUI	17	W290-0136	JOINT D'ÉTANCHÉITÉ DU CONTRÔLE	OUI
9	N402-0001	L'ASSEMBLAGE DU LUMIÈRE DE VEILLE	OUI	18	W175-0217	RACCORD FLEXIBLE (AVEC ARRÊTER)	OUI
10	W707-0019	TRANSFORMATEUR	OUI	19	W660-0203	TÉLÉCOMMANDE MANUELLE	OUI
11	W350-0655	BOITIER DE PILES	OUI				

14.0 ACCESSOIRES



CES ARTICLES PEUT DIFFÉRER DE CELLE ILLUSTRÉ

RÉF.	PART NO.	DESCRIPTION	EN STOCK	RÉF.	PART NO.	DESCRIPTION	EN STOCK
1	GBAT	MOULURES DE BRÛLEUR VERRE	OUI	6	MKGK	BRAISES VITRIFIÉES NOIR (SAC 5lb.)	OUI
2	SBAT	MOULURES DE BRÛLEUR ROCHES	OUI	6	MKGB	BRAISES VITRIFIÉES BLEU (SAC 5lb.)	OUI
3	W475-1350-SER	PANNEAU DE BRIQUE DU CÔTÉ (GD874KT)		6	MKGR	BRAISES VITRIFIÉES ROUGE (SAC 5lb.)	OUI
4	W500-0871-SER	PANNEAU DE PORCELAINE DU CÔTÉ (PRP81-1)		6	MKGA	BRAISES VITRIFIÉES JAUNE (SAC 5lb.)	OUI
5	MEGK	BRAISES VITRIFIÉES NOIR (SAC 1lb.)	OUI	6	MKGC	BRAISES VITRIFIÉES CLAIR (SAC 5lb.)	OUI
5	MEGB	BRAISES VITRIFIÉES BLEU (SAC 1lb.)	OUI	6	MKGT	BRAISES VITRIFIÉES TOPAZ (SAC 5lb.)	OUI
5	MEGR	BRAISES VITRIFIÉES ROUGE (SAC 1lb.)	OUI	7	W715-0629	ANDIRON (ANIH)	OUI
5	MEGA	BRAISES VITRIFIÉES JAUNE (SAC 1lb.)	OUI	8	W062-0018	SOUFFLERIE (NZ64)	OUI
5	MEGB	BRAISES VITRIFIÉES BLEU (SAC 1lb.)	OUI	9	W290-0092	JOINT D'ÉTANCHÉITÉ DE SOUFFLERIE (NZ64)	OUI
5	MEGT	BRAISES VITRIFIÉES TOPAZ (SAC 1lb.)	OUI	10	W660-0113	INTERRUPTEUR À VITESSE VARIABLE (NZ64)	OUI

15.0 GUIDE DE DÉPANNAGE

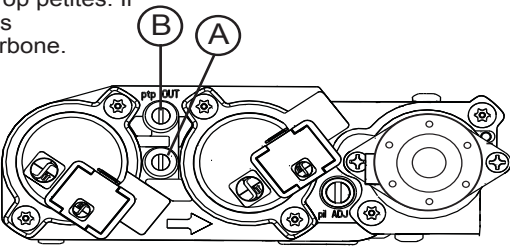
! AVERTISSEMENT

ALLUMEZ TOUJOURS LA VEILLEUSE, QUE CE SOIT POUR LA PREMIÈRE FOIS OU LORSQUE L'APPROVISIONNEMENT EN GAZ EST ÉPUISÉ, AVEC LA PORTE VITRÉE OUVERTE OU RETIRÉE.

COUPEZ L'ALIMENTATION EN GAZ ET L'ALIMENTATION ÉLECTRIQUE AVANT DE PROCÉDER À L'ENTRETIEN DE L'APPAREIL.

L'APPAREIL PEUT ÊTRE CHAUD. N'EFFECTUEZ AUCUN ENTRETIEN JUSQU'À CE QUE L'APPAREIL SOIT REFROIDI.

N'UTILISEZ PAS DE NETTOYANTS ABRASIFS.

SYMPTÔME	PROBLÈME	SOLUTIONS															
La télécommande contrôle les lumières Crystalite / lumière de veille, mais il n'y a aucune étincelle ou flamme.	Le récepteur est verrouillé.	- Réinitialisez en fermant et en ouvrant l'alimentation. NOTE : Si des piles de secours sont installées, elles doivent aussi être retirées afin de réinitialiser.															
La flamme du brûleur principal est bleue, paresseuse et transparente.	Système d'évacuation bloqué.	- Enlevez ce qui obstrue. Dans des conditions de froid extrême, une accumulation de glace peut se former sur la terminaison et devrait être enlevée lorsque nécessaire. Pour minimiser les chances que cela survienne de nouveau, il est recommandé que les événements qui passent à travers des espaces non chauffés (greniers, garages, espaces réduits) soient recouverts d'un manchon isolant en mylar. Assurez-vous que le manchon ne puisse pas s'affaisser. Pour plus de renseignements, contactez votre détaillant local autorisé.															
	Installation incorrecte.	- Voir la section « ÉVACUATION » pour vérifier le bon emplacement des collets de solin.															
Les flammes sont régulièrement trop grandes ou trop petites. Il se produit des dépôts de carbone.	La pression du gaz est trop faible ou trop forte.	- Vérifiez la pression : Pour vérifier la pression d'arrivée, tournez 2 ou 3 fois la vis (A) vers la gauche, puis emboîtez le tube du manomètre sur la pointe d'essai. Le manomètre doit indiquer la pression comme décrit sur le diagramme ci-dessous. Assurez-vous que le brûleur principal fonctionne à « HI ». La pression de sortie peut être vérifiée de la même façon en utilisant la vis (B). Le manomètre doit indiquer la pression comme décrit sur le diagramme ci-dessous. Assurez-vous que le brûleur principal fonctionne à « HI ». APRÈS AVOIR PRIS LA LECTURE DES PRESSIONS, ASSUREZ-VOUS DE TOURNER FERMEMENT LES VIS VERS LA DROITE POUR SCELLER. NE SERREZ PAS TROP FORT. Vérifiez pour des fuites en appliquant une solution d'eau savonneuse.															
																	
	*Pression d'alimentation maximale ne devait pas dépasser 13 po																
		<table border="1"> <thead> <tr> <th>Pression</th> <th>Gaz Naturel (pouces)</th> <th>Gaz Naturel (millibars)</th> <th>Propane (pouces)</th> <th>Propane (millibars)</th> </tr> </thead> <tbody> <tr> <td>Arrivée</td> <td>*7" (min.4,5")</td> <td>17,4 mb (min.11,2mb)</td> <td>13" (min.11")</td> <td>32,4 mb (min.27,4mb)</td> </tr> <tr> <td>Sortie</td> <td>3,5"</td> <td>8,7 mb</td> <td>10"</td> <td>24,9 mb</td> </tr> </tbody> </table>	Pression	Gaz Naturel (pouces)	Gaz Naturel (millibars)	Propane (pouces)	Propane (millibars)	Arrivée	*7" (min.4,5")	17,4 mb (min.11,2mb)	13" (min.11")	32,4 mb (min.27,4mb)	Sortie	3,5"	8,7 mb	10"	24,9 mb
Pression	Gaz Naturel (pouces)	Gaz Naturel (millibars)	Propane (pouces)	Propane (millibars)													
Arrivée	*7" (min.4,5")	17,4 mb (min.11,2mb)	13" (min.11")	32,4 mb (min.27,4mb)													
Sortie	3,5"	8,7 mb	10"	24,9 mb													
Du carbone se dépose sur la vitre, les bûches, les roches, les composants décoratifs ou les parois de la chambre de combustion.	Le volet d'air est bloqué.	- Assurez-vous que l'ouverture du volet d'air n'est pas bloquée par des fibres ou autres obstructions.															
	La flamme effleure la vitre, les bûches, les roches, les composants décoratifs ou les parois de la chambre de combustion.	- Vérifiez si la vitre, les bûches, les roches et les composants décoratifs sont positionnés correctement. - Augmentez l'ouverture du volet d'air pour augmenter le volume d'air primaire. - Vérifiez le débit d'alimentation : vérifiez que la pression du collecteur et la grandeur de l'injecteur soient telles que spécifiées sur la plaque d'homologation. - Vérifiez si les joints de la porte ne sont pas brisés ni manquants et qu'ils sont étanches. - Vérifiez que les deux conduits d'évent ne soient pas troués et qu'ils soient bien scellés à tous les joints. - Vérifiez si l'élévation minimale par pied (mètre) est conforme pour toute évacuation horizontale.															
Une pellicule blanche ou grise se forme.	Le soufre du combustible se dépose sur la vitre, les bûches ou les parois de la chambre de combustion.	- Nettoyez la vitre avec un nettoyeur recommandé. NE PAS NETTOYER LORSQU'ELLE EST CHAUDE. - Si vous ne nettoyez pas les dépôts régulièrement, la vitre risque de rester marquée en permanence.															

42.1D

SYMPTÔME	PROBLÈME	SOLUTIONS
On détecte l'odeur des gaz de combustion dans la pièce; maux de tête.	L'appareil refoule les gaz de combustion dans la pièce.	<ul style="list-style-type: none"> - Vérifiez tous les joints scellés de la porte. - Vérifiez si la cheminée ne serait pas bloquée. - Vérifiez que les conduits d'évents sont installés correctement. - La pièce est sous pression négative; augmentez l'apport d'air frais.
La veilleuse ne s'allume pas. Il y a du bruit mais aucune étincelle au brûleur de la veilleuse.	Filage.	<ul style="list-style-type: none"> - Vérifiez si le fil pour la sonde et le fil pour l'allumeur sont raccordés aux bonnes bornes (non inversés) sur le module et l'assemblage de la veilleuse.
	Connexion desserrée.	<ul style="list-style-type: none"> - Vérifiez qu'il n'y a pas de connexions desserrées, de courts-circuits dans le filage ou des contacts avec des objets métalliques.
	La longueur de l'étincelle est incorrecte.	<ul style="list-style-type: none"> - La longueur de l'étincelle de l'allumeur à la veilleuse devrait être de 0,125" (1/8" (3.2mm)).
La veilleuse ne s'allume pas. Aucun bruit et aucune étincelle au brûleur de la veilleuse. Les lumières CrystalitesMC et la soufflerie fonctionnent.	Une connexion desserrée ou causant un court-circuit.	<ul style="list-style-type: none"> - Retirez et réinstallez le harnais de fils qui se branche dans le module. - Retirez et vérifiez la continuité de chaque fil dans le harnais de fils.
	Le module n'est pas mis à la terre.	<ul style="list-style-type: none"> - Vérifiez si les assemblages de la veilleuse et de la soupape sont bien mis à la terre au niveau du châssis du foyer.
	La boîte d'allumage a été verrouillée.	<p>Choisissez l'une des quatre méthodes suivantes pour réinitialiser le système.</p> <ol style="list-style-type: none"> 1. Pour réinitialiser la boîte d'allumage lorsqu'elle a été verrouillée, coupez l'alimentation électrique et retirez les piles (s'il y a lieu) du récepteur. 2. Pour réinitialiser le tableau DFC lorsque celui-ci se trouve en mode verrouillé et que la DEL clignote trois fois à l'aide du bouton MARCHE/ARRÊT de l'émetteur: <ul style="list-style-type: none"> Étape 1 : Éteignez le système en appuyant sur le bouton MARCHE/ARRÊT. Étape 2 : Après environ 2 secondes, appuyez de nouveau sur le bouton MARCHE/ARRÊT de la télécommande. Le tableau DFC se réinitialisera et la séquence d'allumage s'enclenchera de nouveau. 3. Pour réinitialiser le tableau DFC lorsque celui-ci se trouve en mode verrouillé et que la DEL clignote trois fois à l'aide du cycle de flamme : <ul style="list-style-type: none"> Étape 1 : En mode de contrôle manuel de la flamme, utilisez la flèche vers le bas pour éteindre la flamme, une situation indiquée par le mot « OFF » affiché à l'écran de la télécommande. Étape 2 : Attendez environ 2 secondes et appuyez sur la flèche vers le haut; la séquence d'allumage se déclenchera.

NOTE: En position « OFF », appuyez sur le bouton « ON » de la télécommande. Environ 4 secondes après que le bouton « ON/OFF » ait été enfoncé, le tableau d'allumage commencera à produire des étincelles. Au premier essai, le tableau d'allumage formera des étincelles pendant 60 secondes. S'il n'y a pas de correction de flamme, le tableau cessera de former des étincelles pendant environ 35 secondes. Après le temps d'attente, le tableau démarrera le deuxième essai d'allumage en produisant des étincelles pendant environ 60 secondes. S'il n'y a toujours pas d'allumage, le tableau se verrouillera.

SYMPTÔME	PROBLÈME	SOLUTIONS
Étincelle à la veilleuse mais celle-ci ne s'allume pas.	Alimentation en gaz.	- Vérifiez si la soupape à bille de la conduite d'arrivée du gaz est « Ouverte ». Vérifiez si la pression d'arrivée est dans les limites acceptables. La pression d'arrivée ne doit pas excéder 14" de colonne d'eau (34.9mb) .
	Le module n'est pas mis à la terre.	- Vérifiez si les assemblages de la veilleuse et de la soupape sont bien mis à la terre au niveau du châssis métallique du foyer.
	Plus de propane.	- Remplissez le réservoir.
Continue de produire des étincelles et la veilleuse s'allume mais le brûleur principal ne s'allume pas.	Court-circuit ou connexion desserrée dans la tige de la sonde.	- Vérifiez toutes connexions. Vérifiez si les connexions de l'assemblage de la veilleuse sont serrées; vérifiez aussi si ces connexions ne causent pas de mise à la terre au niveau du métal.
	Mauvais redressement du courant de la flamme ou tige de sonde contaminée.	- Vérifiez si la flamme enveloppe la tige de la sonde. Ceci augmentera le redressement du courant de la flamme. Vérifiez si le bon injecteur de veilleuse est installé et que l'alimentation en gaz est conforme aux spécifications du manuel. (Souvenez-vous que la flamme transporte le courant redresseur et non le gaz. Si la flamme se détache de la hotte, le circuit est rompu. Un mauvais injecteur ou une pression d'arrivée trop élevée peut causer la flamme de la veilleuse à se détacher.) La tige de la sonde a possiblement besoin d'être nettoyée.
	Mauvaise mise à la terre entre l'assemblage de la veilleuse et la soupape de gaz.	- Vérifiez si le harnais de fils est solidement branché au module.
	Veilleuse endommagée ou tige de sonde salie.	- Vérifiez si l'isolateur de céramique autour de la sonde est craqué, endommagé ou desserré. Vérifiez la connexion de la tige de la sonde au fil de la sonde. Nettoyez la tige de la sonde avec une toile d'émeri afin d'enlever toute contamination qui ait pu s'accumuler sur la tige de la sonde. Vérifiez la continuité avec un multimètre réglé sur Ohms au calibre le plus bas.
	La veilleuse a été peinte	- Utilisant une pièce de papier de verre ou du tissu d'émeri pour enlever le peinture du capuchon du veilleuse, l'allumeur et le sonde de flamme.
L'appareil n'effectue aucune fonction.	L'interrupteur du récepteur est à la mauvaise position.	- Vérifiez que l'interrupteur du récepteur est en position « REMOTE » (milieu).
	Pas de puissance au système.	- Vérifiez que le disjoncteur est en position « ON ».
	La télécommande ne fonctionne pas.	- Vérifiez les piles ainsi que leur orientation.
La lumière de veille ou la soufflerie optionnelle ne fonctionnent pas.	L'interrupteur du module de contrôle est à la mauvaise position.	- Vérifiez que l'interrupteur « ON/OFF » est en position « I », ce qui indique le fonctionnement.
	L'interrupteur « COM » est débranché.	- Vérifiez que l'interrupteur « COM » est branché à l'avant du module de contrôle.

16.0 GARANTIE

Les produits NAPOLÉON sont fabriqués conformément aux normes strictes du Certificat d'Assurance de la Qualité mondialement reconnu ISO 9001 : 2008.

Les produits NAPOLÉON sont conçus avec des composants et des matériaux de qualité supérieure, assemblés par des artisans qualifiés qui sont fiers de leur travail. Le brûleur et le montage de la soupape subissent un test de détection de fuite et d'allumage à une station de test de qualité. Une fois assemblé, chaque appareil est soigneusement inspecté par un technicien qualifié avant d'être emballé pour garantir que vous, le client, recevez le produit de qualité dont vous vous attendez de NAPOLÉON.

GARANTIE À VIE LIMITÉE DU PRÉSIDENT DES APPAREILS AU GAZ NAPOLÉON

Les matériaux suivants et la fabrication de votre nouveau appareil au gaz NAPOLÉON sont garantis contre les défauts tant que vous en êtes le propriétaire. Ceci couvre : la chambre de combustion, l'échangeur de chaleur, le brûleur en acier inoxydable, les bûches Phazer™ et les braises, les roches, la vitre en céramique (cassure thermique seulement), les pièces plaquées or contre le ternissement, les composants en porcelaine émaillée et les mouleurs d'extrusion en aluminium.*

Les composants électriques (110V et millivolt) et les pièces soumises à l'usure sont couverts et NAPOLÉON fournira gratuitement les pièces de rechange durant la première année de la garantie limitée. Ceci couvre: la souffleries, les soupapes de gaz, l'interrupteur thermique, les interrupteurs, l'installation électrique, les télécommandes, l'allumeur, les joints d'étanchéité et l'assemblage de la veilleuse.* Les coûts de main-d'oeuvre relatifs aux réparations garanties sont couverts gratuitement durant la première année. Cependant, les travaux de réparation nécessitent l'approbation préalable d'un représentant autorisé de la compagnie. Les coûts de main-d'oeuvre à la charge de NAPOLÉON sont basés sur un programme de tarifs prédéterminé et tout travail de réparation doit être accompli par l'entremise d'un représentant autorisé NAPOLÉON.

* La fabrication de chaque modèle varie. La garantie s'applique uniquement aux composants disponibles avec votre appareil.

FR

CONDITIONS ET LIMITATIONS

NAPOLÉON garantit ses produits contre les défauts de fabrication à l'acheteur d'origine seulement. L'enregistrement de la garantie n'est pas nécessaire. Fournissez simplement une preuve d'achat ainsi que le modèle et le numéro de série afin d'effectuer une réclamation de garantie.

NAPOLÉON se réserve le droit de demander à son représentant d'inspecter tous produits ou pièces avant d'honorer toute réclamation.

L'achat doit avoir été fait par l'entremise d'un détaillant NAPOLÉON autorisé et sous réserve des conditions et limitations suivantes :

La couverture de la garantie débute à partir de la date d'installation originale.

Cette garantie du fabricant n'est pas transférable et ne peut être prolongée ou étendue par aucun de nos représentants quelle qu'en soit la raison.

L'appareil au gaz doit être installé par un installateur autorisée qualifié, une agence de service ou fournisseur. L'installation doit être faite conformément aux instructions d'installation incluses avec le produit et à tous les codes d'incendie et de construction locaux et nationaux.

Cette garantie limitée ne couvre pas les dommages causés par un mauvais usage, un manque d'entretien, un accident, des altérations, des abus ou de la négligence et l'installation de pièces d'autres fabricants annulera cette garantie.

Cette garantie limitée ne couvre pas non plus les égratignures, les bossellements, la corrosion ou la décoloration causés par une chaleur excessive, des produits d'entretien chimiques et abrasifs ou l'écaillage des pièces en porcelaine émaillée, le bris par manipulation des bûches PHAZER™ et des braises.

NAPOLÉON garantit à vie ses brûleurs en acier inoxydable contre les défauts de fabrication et de matériau sous réserve des conditions suivantes :

durant les dix premières années, NAPOLÉON remplacera ou réparera selon notre option les pièces défectueuses gratuitement.

Après les dix premières années, NAPOLÉON fournira les brûleurs de rechange à 50% du prix de détail courant.

Au cours de la première année seulement, cette garantie s'applique à la réparation ou au remplacement des pièces garanties dont les matériaux ou la fabrication sont défectueux à la condition que le produit ait été utilisé conformément aux instructions de fonctionnement et dans des conditions normales.

Après la première année, concernant cette Garantie à Vie Limitée du Président, NAPOLÉON peut, à sa discrétion, se libérer entièrement de toutes obligations en ce qui concerne cette garantie en remboursant à l'acheteur d'origine le prix de gros de toute pièce garantie qui est défectueuse.

NAPOLÉON ne sera pas responsable de l'installation, de la main-d'oeuvre ou autres dépenses relatives à la réinstallation d'une pièce garantie et de telles dépenses ne sont pas couvertes par cette garantie.

Nonobstant toutes les dispositions contenues dans cette Garantie à Vie Limitée du Président, la responsabilité de NAPOLÉON sous cette garantie est définie comme ci-dessus et elle ne s'appliquera à aucun dommage accidentel, consécutif ou indirect.

Cette garantie définit l'obligation et la responsabilité de NAPOLÉON en ce qui concerne l'appareil au gaz NAPOLÉON et toute autre garantie énoncée ou implicite en ce qui concerne ce produit, ses composants ou accessoires est exclue.

NAPOLÉON n'autorise aucun tiers à assumer en son nom, toute autre responsabilité concernant la vente de ce produit.

NAPOLÉON ne sera pas responsable d'une surchauffe, des refoulements, des déversements causés par des conditions environnementales telles que des toits, des bâtiments, la proximité d'arbres, de collines, de montagnes, une ventilation ou des événements inadéquats, une configuration d'évacuation excessive, un apport d'air insuffisant ou des pressions négatives qui peuvent ou non être causés par des systèmes mécaniques tels que les ventilateurs d'évacuation, les fournaies, les sècheuses de linge, etc.

Tout dommage causé à l'appareil, à la chambre de combustion, à l'échangeur de chaleur, aux garnitures plaquées ou autres composants par l'eau, les dommages causés par les intempéries, de longues périodes d'humidité, la condensation, des produits chimiques ou produits d'entretien nuisibles ne seront pas la responsabilité de NAPOLÉON.

Toutes les pièces remplacées en vertu de la politique de Garantie à vie limitée du Président ne peuvent faire l'objet que d'une seule réclamation.

Durant les dix premières années, NAPOLÉON remplacera ou réparera les pièces défectueuses qui sont couvertes par la garantie à vie limitée à sa discrétion gratuitement. Après les dix premières années, NAPOLÉON fournira les pièces de rechange à 50% du prix de détail courant.

Toutes les pièces remplacées au titre de la garantie seront couvertes pour une période de 90 jours à partir de leur date d'installation.

Le fabricant peut exiger que les pièces défectueuses ou les produits soient retournés ou que des photos numériques soient fournies pour valider la réclamation. Les produits retournés doivent être expédiés port payé au fabricant pour une inspection en usine. Si un produit est déclaré défectueux, le fabricant le réparera ou le remplacera.

Avant d'expédier votre appareil ou les pièces défectueuses, votre détaillant doit obtenir un numéro d'autorisation. Toute marchandise expédiée à notre usine sans autorisation sera refusée et retournée à l'expéditeur.

Les coûts d'expédition ne sont pas couverts par cette garantie. Des frais de service supplémentaires peuvent être appliqués si vous cherchez à obtenir des services au titre de la garantie auprès d'un détaillant.

Les indemnités de main-d'oeuvre au titre de la garantie s'appliquent uniquement pour le remplacement d'une pièce garantie. Les frais de déplacement, de tests de diagnostic, d'expédition et autres frais afférents ne sont pas couverts par cette garantie.

TOUTES LES SPÉCIFICATIONS ET LES CONCEPTIONS SONT SUJETTES À MODIFICATIONS SANS PRÉAVIS EN RAISON DES AMÉLIORATIONS CONSTANTES APPORTÉES AUX PRODUITS. NAPOLÉON EST UNE MARQUE DE COMMERCE DÉPOSÉE DE

WOLF STEEL LTÉE.

Autres produits Napoléon®



Foyers encastrés • Grils au charbon de bois • Foyers au gaz • Cascades d'eau
Poêles à bois • Produits HVAC • Foyers électriques • Foyers extérieurs • Grils à gaz de qualité



7200, Route Transcanadienne, Montréal, Québec H4T 1A3
24 Napoleon Road, Barrie, Ontario, Canada L4M 0G8
214 Bayview Drive, Barrie, Ontario, Canada L4N 4Y8
103 Miller Drive, Crittenden, Kentucky, USA 41030

Foyers / Chauffage et Climatisation / Grils composez : 514-737-6294
napoleonproducts.com